

## T-FLEX/CW

### TELESCOPIC EXTRACTION ARM


The T-Flex/CW is a wall-mounted telescopic extraction arm with a rotatable hood. Incorporated into the hood is a throttle valve that can be fully opened, partially opened or completely closed to control airflow at hood opening. The arm features a focus extraction spoiler, which directs the air into the hood.

The extraction arm is based on a telescopic tube with counterweight mechanism, allowing it to be extended to give a 2,5 m (8.2 ft) working radius and compressed to 1,5 m (5 ft). The arm is fitted with a spring-balance which enables it to be moved from a vertical to a horizontal position in one easy movement.


If mounted on a column, the arm can be turned through 300° due to the rotating hinge. All movement of the arm is controlled from the hood.



#### APPLICATIONS

The T-Flex/CW is intended to be used for the following applications: 

- MIG-MAG/GMAW welding
- TIG welding
- FCAW welding
- stick/MMAW welding

Do **not** use the T-Flex/CW for the following applications or in the following circumstances: 

- oil mist
- paint mist
- extraction of aggressive fumes and gases (e.g. from acids, from alkaline, from soldering paste containing lithium)
- extraction of hot gases (more than 45°C/113°F continuously)
- extraction of cement, saw dust, wood dust etc.
- sucking cigarettes, cigars, oiled tissues and other burning particles, objects and acids
- explosive environments or explosive substances/gases

#### SPECIFICATIONS

■ Physical dimensions and properties	
Diameter	Ø 203 mm (8 in.)
Counterweight	6,5 kg (14.3 lbs)
Material:	
• tube and hood	• polypropylene copolymere with UV stabilization
• hoses	• glass fibre reinforced PVC with metal springs
• throat	• ABS
• handle, rim and grid	• nylon, glass fibre reinforced
• wall mounting bracket	• steel
• counterweight cover	• steel
• counterweight	• solid steel
Colour:	
• tube and hood	• yellow RAL 1028
• hoses	• grey RAL 7024
• wall mounting bracket	• black RAL 9005
• counterweight cover	• black RAL 9005

Max. temperature (continuously):	
• tube and hood	• 80°C (176°F)
• hoses	• 80°C (176°F)
• throat	• 80°C (176°F)
• handle, rim and grid	• 95°C (203°F)
Weight (net)	27 kg (59.5 lbs)
■ Performance	
Airflow	max. 1600 m <sup>3</sup> /h (942 CFM)
■ Ambient conditions	
Operating temperature:	
• minimum	• 5°C (41°F)
• nominal	• 20°C (68°F)
• maximum	• 45°C (113°F)
Max. relative humidity	80%
Outdoor use allowed	no
Storage conditions	• 5-45°C (41-113°F) • relative humidity max. 80%
■ Product combinations	
FAN-14/28/42	single fan
SIF range + NCF	central fan + connection flange
WCS + AD-200/AD-8	welding cable sensor for automatic control of fan + automatic damper
■ Scope of supply	
Wall mounting bracket with tube, hose 500 mm (20 in.) and 2 bushes - Rotatable hood - Hose 1650 mm (65 in.) - Counterweight + casing - Bush (2) - Mounting material	
■ Order information	
Article number	7925264090
Number/package	1
■ Shipping data	
Gross weight	30 kg (66 lbs)
Packing dimensions (L x W x H)	1600 x 300 x 485 mm (63 x 11.8 x 19.1 in.)
Harmonized Tariff Code	8421.9900.99
Country of origin	Netherlands

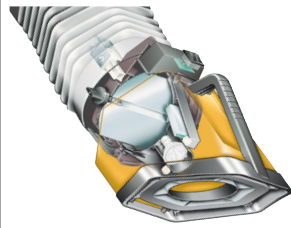
■ Approvals/certificates



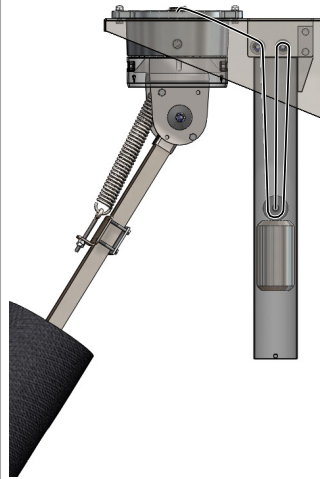
Directive 2011/65/EC (RoHS)  
valid as of 8 June 2011

FEATURES

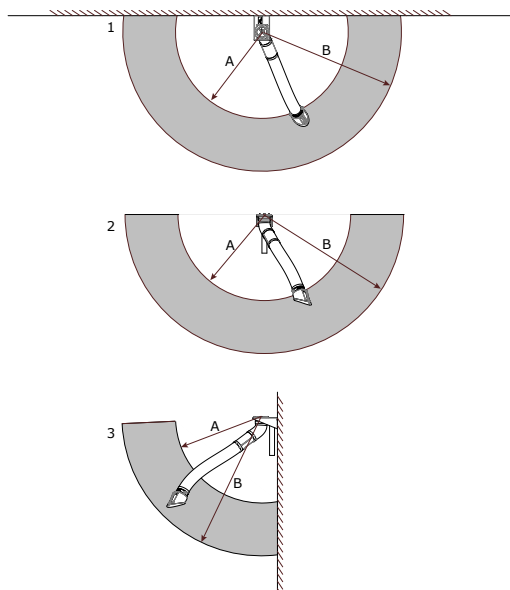
RotaHood 360° rotatable hood with throttle valve



Counterweight ("CW") mechanism ensures arm to stay exactly where it is positioned.



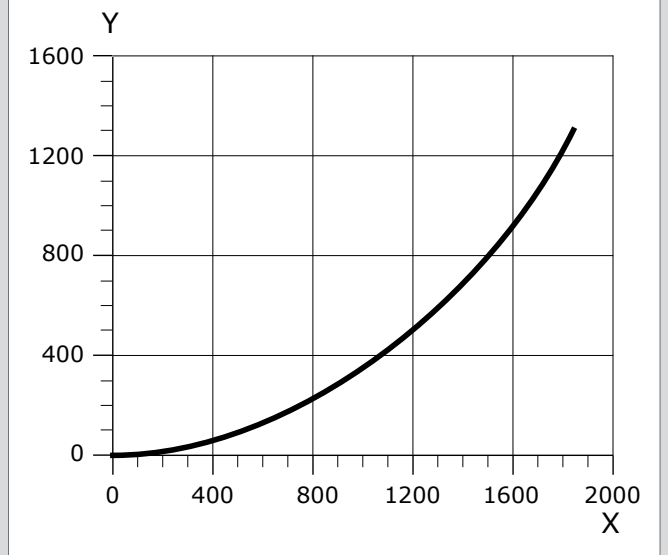
REACH



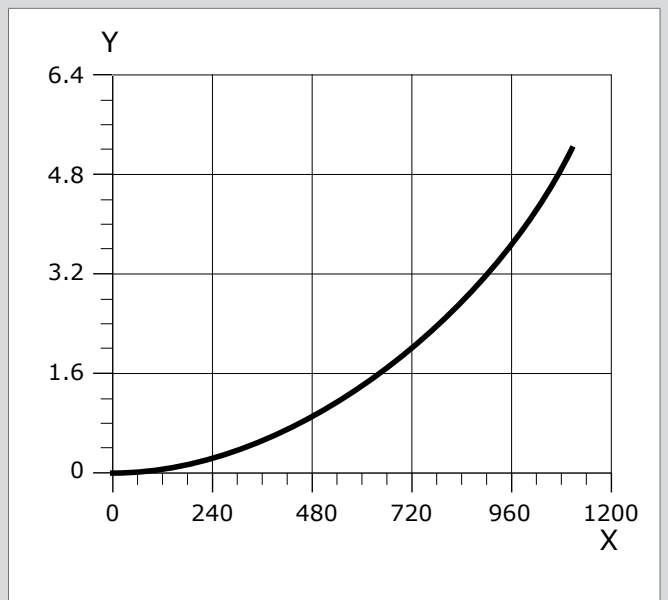
	mm	inch
A	1550	61
B	2500	98

1. Top view
2. Front view
3. Side view

PRESSURE DROP



X = Airflow (m<sup>3</sup>/h)  
Y = Static pressure (Pa)



X = Airflow (CFM)  
Y = Static pressure (in. WG)

Product type	<b>T-Flex/CW</b>
Article no.	7925264090
Product category	extraction arms and hoses
Version	140318/B

Always check the latest version on [www.plymovent.com](http://www.plymovent.com)