

MFD

MOBILE WELDING FUME EXTRACTOR

The MFD is a mobile filter unit with integrated fan that provides extraction and filtration for use with a flexible extraction arm or extraction hose.

The MFD features an aluminum spark arrester and a square disposable cellulose filter cartridge. This filter cartridge is provided with a precoat to extend the life span and increases initial operating efficiency of the filter. A filter pollution indicator indicates when filter replacement is required.

Thanks to the four transport wheels (two of which are swivel casters), the MFD is extremely suitable to be used in relatively small facilities or near sources of pollution without a fixed location. Extraction arm/hose to be ordered separately.



APPLICATIONS

The MFD is intended to be used for the following applications:

- MIG-MAG/GMAW welding (annual use: <700 kg/1500 lbs)
- TIG welding
- FCAW welding (annual use: <700 kg/1500 lbs)
- stick/MMAW welding (annual use: <500 kg/1100 lbs)



Do **not** use the MFD for the following applications or in the following circumstances:

- arc-air gouging
- aluminium laser cutting
- oil mist
- heavy oil mist in welding fume
- extraction of aggressive fumes and gases (e.g. from acids, from alkaline, from soldering paste containing lithium)
- extraction of hot gases (more than 45°C/113°F continuously)
- grinding aluminum and magnesium
- flame spraying
- extraction of cement, saw dust, wood dust etc.
- sucking cigarettes, cigars, oiled tissues and other burning particles, objects and acids
- explosive environments or explosive substances/gases



SPECIFICATIONS

Physical dimensions and properties



| | |
|----------------------------------------|--------------------------|
| Material housing | polypropylene |
| Colour: | |
| • Filter cover and control panel cover | • yellow RAL 1028 |
| • Base | • grey RAL 7024 |
| Weight (net) | 82 kg (181 lbs) |
| Supply cable | 6 m (20 ft) without plug |

Filters

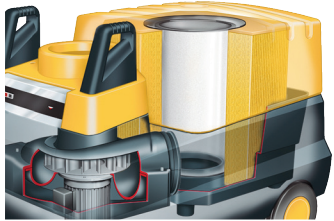
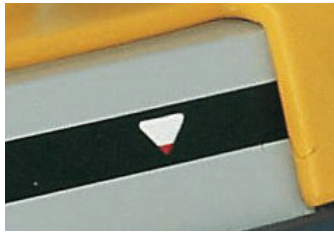
| | |
|----------------------|-----------------------------------------------------------|
| Material: | |
| • Pre filter | • aluminium |
| • DuraFilter FCC-50 | • phenol impregnated cellulose + polyurethane + cardboard |
| Filter surface area: | |
| • Pre filter | • 0,5 m ² (5.38 ft ²) |
| • DuraFilter FCC-50 | • 50 m ² (538 ft ²) |

| | |
|-------------------------------|-----------------------------------------------------|
| Treatment | SurfacePlus precoat on DuraFilter FCC-50 |
| Efficiency: | |
| • Pre filter | • 80% < 90% |
| • DuraFilter FCC-50 | • >99% |
| Filter class: | |
| • Pre filter | • G3 according to DIN EN 779 |
| • DuraFilter FCC-50 | • M according to NEN EN IEC 60335-2-69 |
| Performance | |
| Fan type | radial |
| Unrestricted airflow | 2400 m ³ /h (1413 CFM) |
| Net extraction capacity | 1250 m ³ /h (736 CFM) |
| Speed | 2800 rpm |
| Noise level | 69 dB(A) according to ISO 3746 |
| Electrical data | |
| Power consumption | 0,75 kW (1 HP) |
| Available connection voltages | refer to order information |
| Insulation class | F |
| Protection class | IP 50 |
| Ambient conditions | |
| operating temperature: | |
| • min. | • 5°C (41°F) |
| • nom. | • 20°C (68°F) |
| • max. | • 45°C (113°F) |
| Max. relative humidity | 80% |
| Outdoor use allowed | no |
| Storage conditions | • 5-45°C (41-113°F) • relative humidity max. 80% |
| Product combinations | |
| Flex-3/4, UltraFlex-3/4 | extraction arm |
| SUS-5/203 | extraction hose |
| Available options | |
| FAC-50 | activated carbon filter |

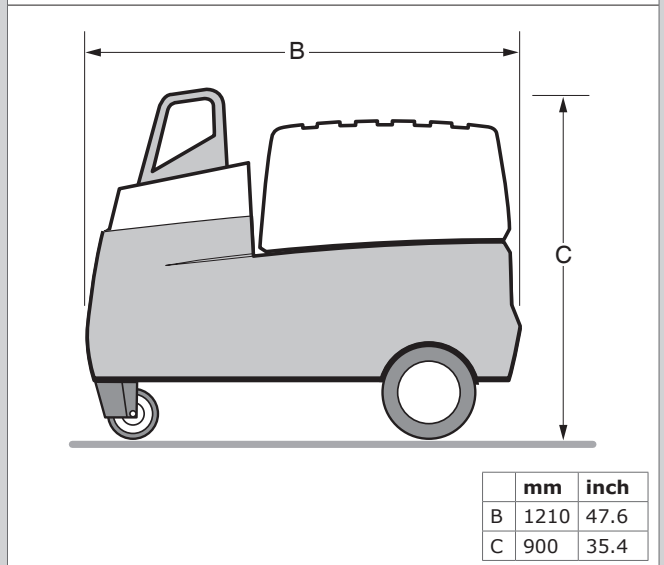
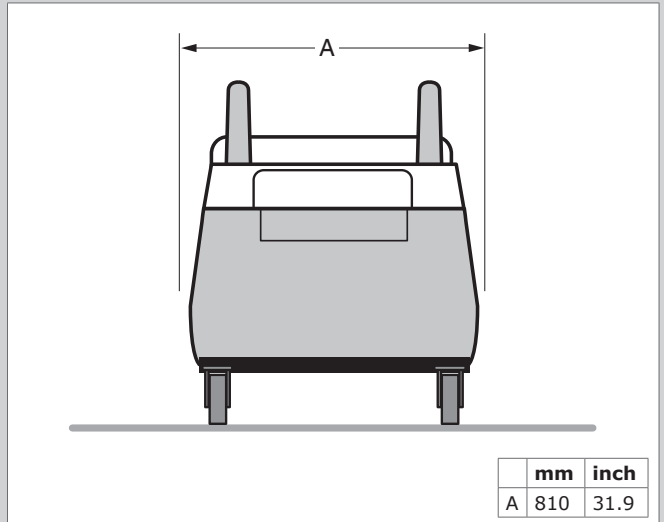
| | |
|---------------------------------------------------------------------------------------------------------------------------------------------------------------------------------------------------------------------------------------------|----------------------------------------------------------------------------------------------------------------------------------------------|
| TRK-MFD | transformer/relay kit (in case of WL or WL+AST in connected extraction arm) |
| ■ Scope of supply Mobile unit - Hose 65 cm (25.6 in.) - Hardware | |
| ■ Order information Article numbers: • 7028100000 • 0000102345 • 7022110000 • 7022120000 • 7023100000 • 7025100000 • 7025120000 | |
| MFD: | • 115V/1~/50Hz • 115V/1~/60Hz • 230V/1~/50Hz • 230V/1~/60Hz • 230V/3~/50Hz • 230V/3~/60Hz • 400V/3~/50Hz • 400V/3~/60Hz |
| Number/package | 1 |
| ■ Shipping data Gross weight (incl. pallet) 103 kg (227 lbs) Packing dimensions 120 x 80 x 105 cm (47.2 x 31.5 x 41.3 in.) Max. number/pallet 1 Harmonized Tariff Code 8421.39.2090 Country of origin the Netherlands | |

| | |
|----------------------------------------------------------------------------------------------------------------------|-----------------------------------------------------|
| ■ Approvals/certificates  | |
|  | Directive 2011/65/EC (RoHS) valid as of 8 June 2011 |

FEATURES

| | |
|---------------------------------------------|-------------------------------------------------------------------------------------|
| Large filter surface area |  |
| Filter pollution indicator on control panel |  |

DIMENSIONS



| | |
|------------------|-----------------------------------------|
| Product type | MFD |
| Article no. | refer to order information |
| Product category | portable/mobile welding fume extractors |
| Version | 290319/J |

Always check the latest version on www.plymovent.com