

KUA-160

FLEXIBLE EXTRACTION ARM

Ball bearing extraction arm with external middle hinge. The removable hood has a safety mesh and a damper. The arm is 360° rotatable¹.

The KUA-160 arm is available in four different types:

- type **H**: for hanging mounting (wall bracket included)
- type **S**: for standing mounting (e.g. on a mobile unit)
- type **ATEX**: approved for use in explosive environments zone 1 and 21; marking Ex II 2G 2D² (for hanging mounting only)
- type **H-D**: for hanging mounting, with sealed shut-off damper

¹ KUA-160 ATEX: 359° rotatable due to the litz wire

² In accordance with TRGS 727 & ATEX Directive 2014/34/EU

APPLICATIONS

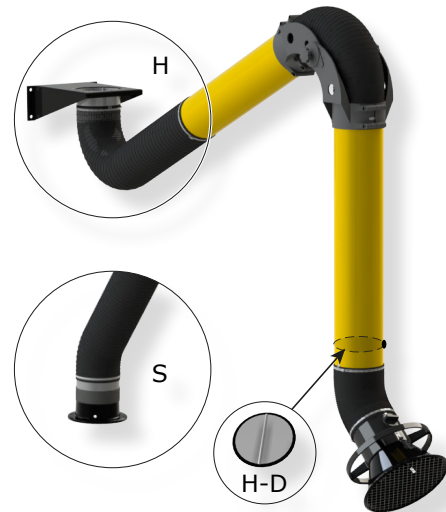
The KUA-160 is intended to be used for the following applications:

- MIG-MAG/GMAW welding
- TIG welding
- FCAW welding
- stick/MMAW welding



SPECIFICATIONS

Physical dimensions and properties	
Diameter:	
• tubes	• Ø 160 mm (6¼ in.)
• hood opening	• Ø 300 mm (11¾ in.)
Material of tubes	aluminium
Material of hoses:	
• types H and S	• PVC with spring steel wire
• type ATEX	• polyethylene with spring steel wire
Colour:	
• tubes	• yellow RAL 1004
• hoses	• black
Performance	
Recommended airflow	800-1200 m³/h (470-710 CFM)
• min. airflow	800 m³/h (470 CFM)
Ambient and process conditions	
Process temperature:	
• min.	• 5°C (41°F)
• nom.	• 20°C (68°F)
• max.	• 70°C (158°F)
Max. relative humidity	90%
Outdoor use allowed	no
Storage conditions	• 5-45°C (41-113°F) • relative humidity max. 90%
Options and accessories	
FlowGuard	airflow sensor
KUA-160 all types (except for ATEX versions)	
S-100	manual on/off switch for hood mounting
LL-5.5/24-160	manual on/off switch, incl. LED working light
Product combinations	
KUA-160/2H 3H 4H (incl. ATEX versions)	
FUA-1800 FUA-2100	extraction fan



FM-15/160 FM-25/160 FM-35/160 FM-45/160	extension crane
ERC	extraction rail
PA-110/160 PA-220/160	stanchion
SLE-30	extension hose
KUA-160/2S 3S 4S	
MobilePro	mobile fume extractor
FM-15/160 FM-25/160 FM-35/160 FM-45/160	extension crane
PA-110/160 PA-220/160 + art. no. 0000101537	stanchion (wall bracket)
Scope of supply	
• H types: extraction arm (in parts) – Wall bracket • S types: extraction arm (in parts)	
Order information	
Number/package	1
Shipping data	
Harmonized Tariff Code	84219990

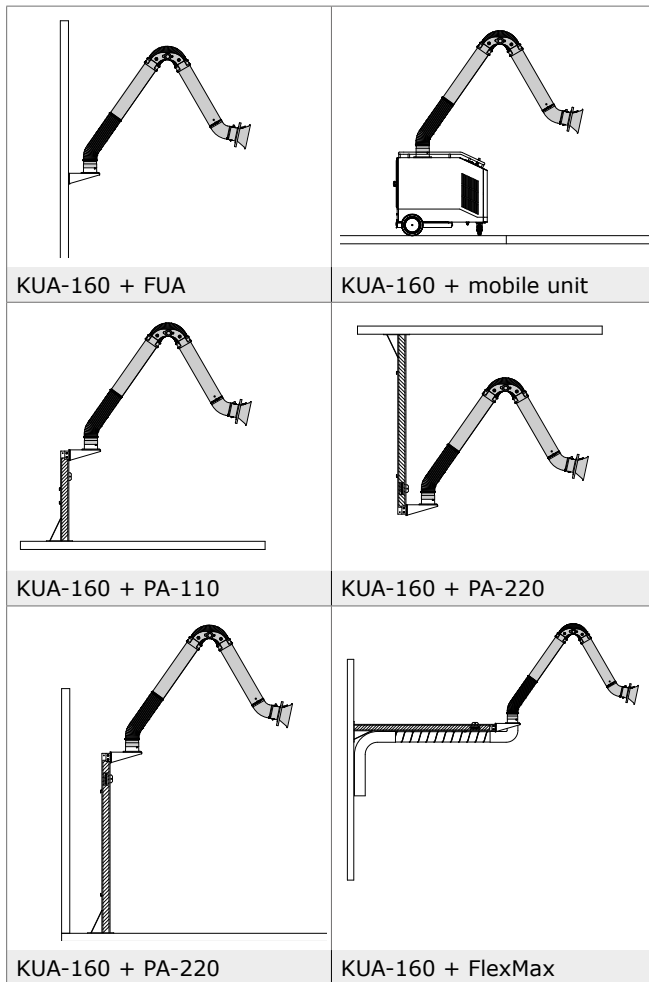
WORKING REACH

	KUA-160/2H		KUA-160/3H		KUA-160/4H	
	mm	ft	mm	ft	mm	ft
A	455	1½	950	3⅛	1250	4⅛
B	265	⅞	265	⅞	265	⅞
C	min. 1030	min. 3⅜	min. 1335	min. 4⅜	min. 1525	min. 5
D	max. 2500	max. 8¼	max. 3350	max. 11	max. 4040	max. 13¼

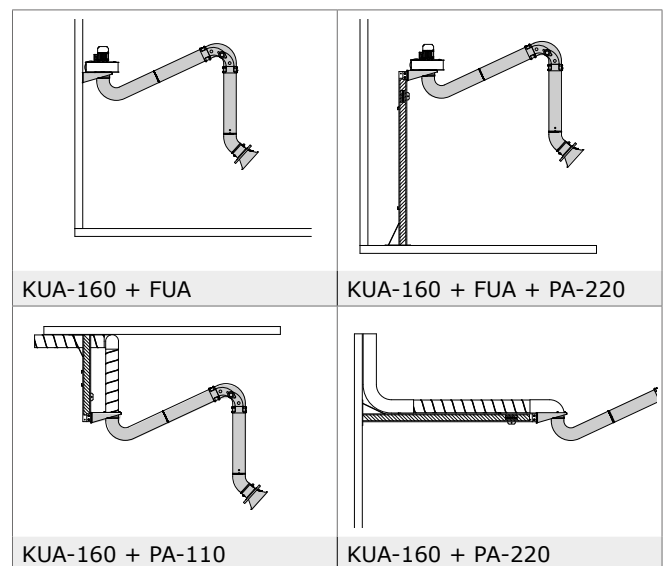
Remaining specifications

	KUA-160/2H	KUA-160/2S	KUA-160/3H	KUA-160/3S	KUA-160/4H	KUA-160/4S
Physical dimensions and properties						
Length	2 m (6½ ft)	2 m (6½ ft)	3 m (9¾ ft)	3 m (9¾ ft)	4 m (13¼ ft)	4 m (13¼ ft)
Weight (net)	18 kg (40 lbs)	14 kg (31 lbs)	19 kg (42 lbs)	15 kg (33 lbs)	21 kg (46 lbs)	17 kg (37 lbs)
Order information						
Art. no.	0000101154	0000101168	0000101157	0000101170	0000101160	0000101173
Art. no. (ATEX)	0000101176	-	0000101178	-	0000101180	-
Art. no. (H-D)	0000101164	-	0000101165	-	0000101166	-
Shipping data						
Gross weight	20 kg (44 lbs)	16 kg (35½ lbs)	21,5 kg (47½ lbs)	19,5 kg (43 lbs)	23 kg (51 lbs)	21 kg (46½ lbs)
Packing dimensions	1200 x 300 x 390 mm (47¼ x 11¾ x 15¾ in.)		2100 x 300 x 500 mm (82¾ x 11¾ x 19¾ in.)		2100 x 300 x 500 mm (82¾ x 11¾ x 19¾ in.)	

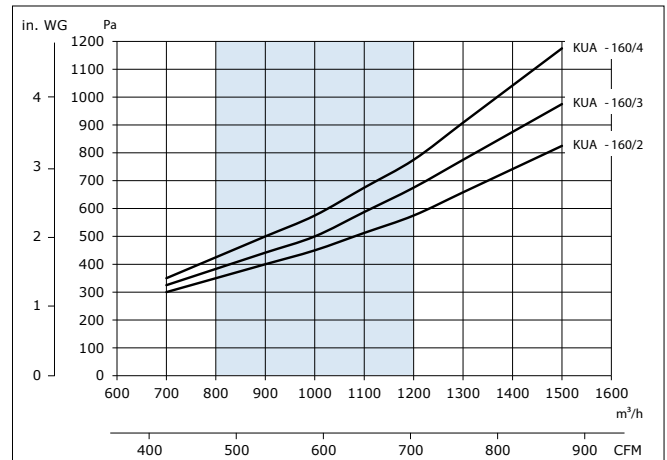
MOUNTING EXAMPLES "S" TYPES



MOUNTING EXAMPLES "H" TYPES



PRESSURE DROP



FEATURES & BENEFITS



External middle hinge allows for easy adjustment; no tools required



Low resistant aluminium tubes



The hood is 90° movable in four directions

Application restrictions

Do **not** use the product in combination with a filter for the following applications or in the following circumstances: polishing applications in combination with grinding, welding or any other application that generate sparks (fibres from polishing or abrasive flap disks are highly flammable and pose a high risk of filter fires when exposed to sparks) | aluminium laser cutting | oil mist | heavy oil mist in welding fume | arc-air gouging | extraction of aggressive fumes and gases (e.g. from acids, from alkaline, from soldering paste containing lithium) | extraction of hot gases (more than 70°C/158°F continuously) | grinding aluminum and magnesium | flame spraying | extraction of cement, saw dust, wood dust etc. | sucking cigarettes, cigars, oiled tissues and other burning particles, objects and acids | explosive environments or explosive substances/gases

Product type

KUA-160

Article no.

refer to Order information

Product category

extraction arms

Version

281122/Q

Always check the latest version on www.plymovent.com