

MNF

PORTABLE EXTRACTION FAN

The MNF is a portable fan that provides extraction in confined spaces and other hard to reach areas. For this purpose an extraction hose needs to be connected. Exhaust and/or extension hose is optional.

The MNF is mounted on a frame for easy removal. A motor protection switch prevents overheating of the motor. The MNF does not provide filtration.



MNF + SUS-5/160

APPLICATIONS

The MNF is intended to be used for the following applications:

- MIG-MAG/GMAW welding
- TIG welding
- FCAW welding
- stick/MMAW welding



SPECIFICATIONS

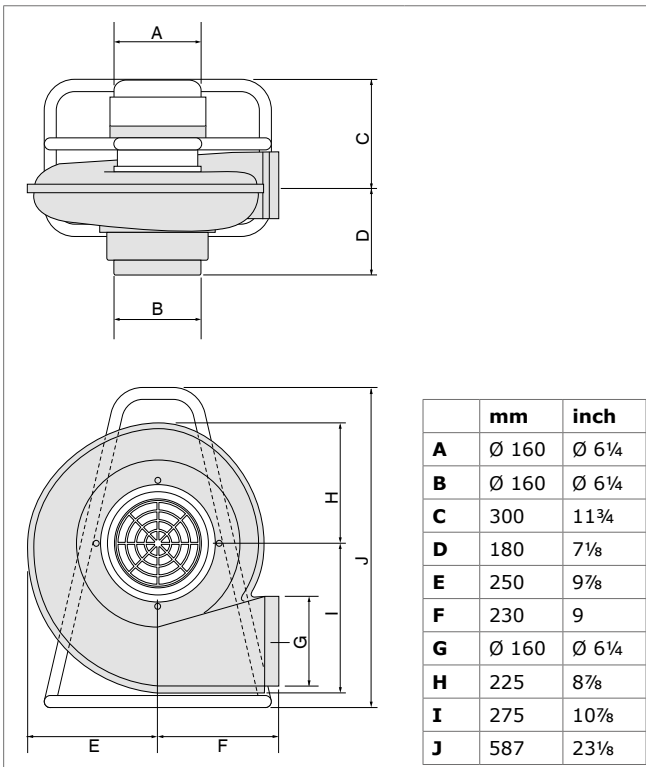
■ Physical dimensions and properties	
Material (housing):	<ul style="list-style-type: none"> • housing: polypropylene • frame: powder coated steel
Colour:	<ul style="list-style-type: none"> • housing: grey RAL 7024 • motor: black RAL 9005 • frame: black RAL 9005
Inlet diameter	Ø 160 mm (6¼ in.)
Outlet diameter	Ø 160 mm (6¼ in.)
Weight (net)	17 kg (37½ lbs)
Supply cable	6 m (19⅝ ft)
• plug	• not included
■ Performance	
Fan type	radial
Unrestricted airflow	2400 m³/h (1413 CFM)
Net extraction capacity:	<ul style="list-style-type: none"> • MNF + SUS-5/160: 1300 m³/h (765 CFM) • MNF + SUS-5/160 + EXS-5/160: 1150 m³/h (677 CFM)
Speed	2800 rpm
Noise level (incl. SUS-5/160)	69 dB(A) according to ISO 3746
■ Electrical data	
Power consumption	0,75 kW (1 HP)
Available connection voltages	115V/1ph/50Hz (115) 115V/1ph/60Hz (116) 230V/1ph/50Hz (215) 230V/3ph/50Hz (235) 400V/3ph/50Hz (435) 400V/3ph/60Hz (436)
Insulation class	F
Protection class	IP 55

■ Ambient conditions	
Process temperature:	<ul style="list-style-type: none"> • min.: 5°C (41°F) • nom.: 20°C (68°F) • max.: 45°C (113°F)
Max. relative humidity	80%
Suitable for outdoor use	no
Storage conditions	<ul style="list-style-type: none"> • 5-45°C (41-113°F) • relative humidity max. 80%
■ Product combinations	
SUS-5/160 (compulsary)	flexible extraction hose 5 m (16¾ ft)
■ Available options	
EXS-5/160	exhaust/extension hose 5 m (16¾ ft) (max. hose length: total 20 m / 65⅝)
■ Scope of supply	
Portable fan Hardware	
■ Order information	
Article numbers:	<ul style="list-style-type: none"> • 7130800000: MNF 115V/1ph/50Hz • 7130801000: MNF 115V/1ph/60Hz • 7130200000: MNF 230V/1ph/50Hz • 7130300000: MNF 230V/3ph/50Hz • 7130500000: MNF 400V/3ph/50Hz • 7130520000: MNF 400V/3ph/60Hz
Number/package	1
■ Shipping data	
Gross weight	20 kg (44 lbs)
Packing dimensions	500 x 600 x 500 mm (19⅝ x 23⅝ x 19⅝ in.)
Max. number/pallet	8414.5940.90
Harmonized Tariff Code	Netherlands

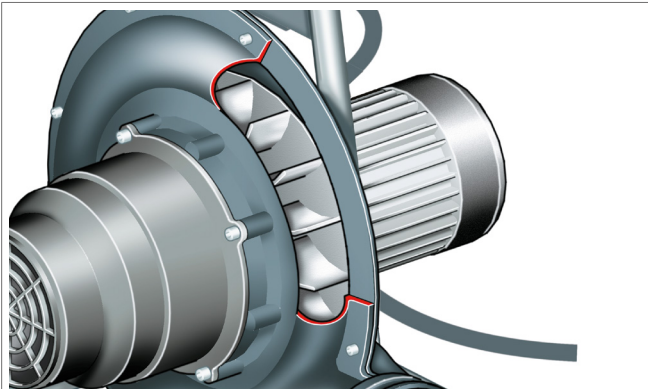
APPROVALS/CERTIFICATES

	Directive 2011/65/EC (RoHS) valid as of 8 June 2011

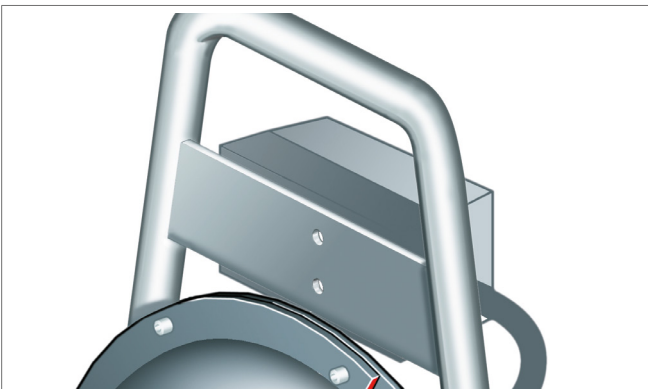
DIMENSIONS



FEATURES & BENEFITS

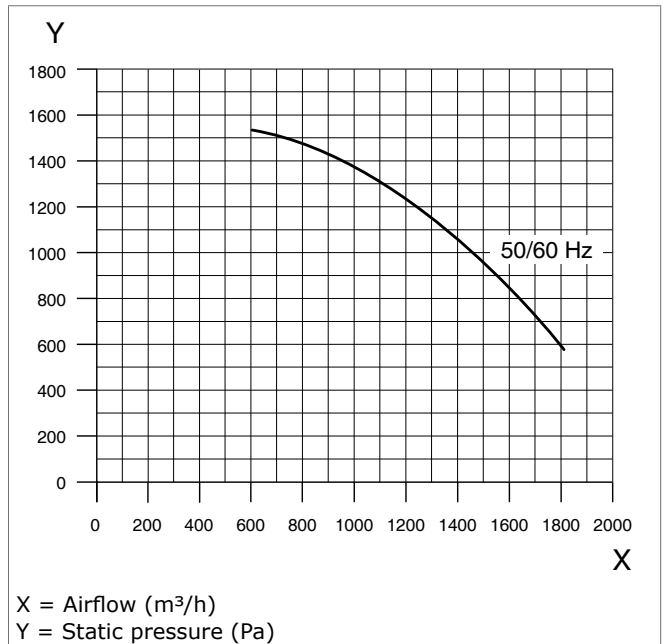


Radial fan wheel

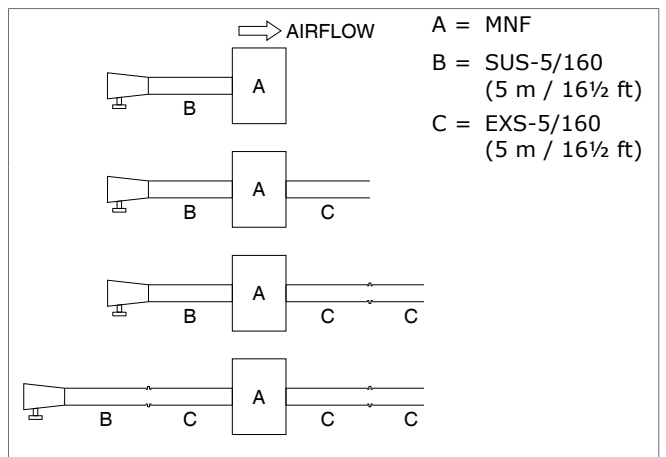


Motor protection switch

FAN CURVE



POSSIBLE CONFIGURATIONS



Application restrictions

Do **not** use the product for the following applications or in the following circumstances: polishing applications in combination with grinding, welding or any other application that generate sparks (fibres from polishing or abrasive flap disks are highly flammable and pose a high risk of filter fires when exposed to sparks) | aluminium laser cutting | oil mist | heavy oil mist in welding fume | arc-air gouging | extraction of aggressive fumes and gases (e.g. from acids, from alkaline, from soldering paste containing lithium) | extraction of hot gases (more than 70°C/158°F continuously) | grinding aluminum and magnesium | flame spraying | extraction of cement, saw dust, wood dust etc. | sucking cigarettes, cigars, oiled tissues and other burning particles, objects and acids | explosive environments or explosive substances/gases



Product type

MNF

Article no.

refer to Order information

Product category

portable welding fume extractors

Version

040620/D

Always check the latest version on www.plymovent.com