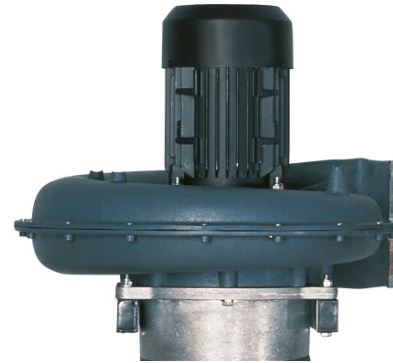


FAN-28

EXTRACTION FAN

The FAN-28 is a wall-mounted extraction fan that provides extraction for T-Flex, T-Flex/CW, Flex and UltraFlex extraction arms with or without filtration. It needs to be mounted on a separate wall bracket.



APPLICATIONS

The FAN-28 is intended to be used for the following applications:

- MIG-MAG/GMAW welding
- TIG welding
- FCAW welding
- stick/MMAW welding



SPECIFICATIONS

■ Physical dimensions and properties	
Material housing	polypropylene
Colour:	
• housing	• grey RAL 7024
• motor	• black RAL 9005
Inlet diameter	Ø 200 mm (Ø 7 7/8 in.)
Outlet diameter	Ø 160 mm (Ø 6 1/4 in.)
Weight (net)	15 kg (33 lbs.)
■ Performance	
Fan type	radial
Unrestricted airflow	2400 m³/h (1413 CFM)
Speed:	
• 50Hz	• 2800 rpm
• 60Hz	• 3400 rpm
Noise level	69 dB(A) according to ISO 3746
■ Electrical data	
Power consumption	0,75 kW (1 HP)
Available connection voltages	refer to Order information
Max. start/stops per hour	30
Insulation class	F
Protection class	IP 55
■ Ambient conditions	
Operating temperature:	
• min.	• 5°C (41°F)
• nom.	• 20°C (68°F)
• max.	• 45°C (113°F)
Max. relative humidity	80%
Outdoor use allowed	no

Storage conditions	<ul style="list-style-type: none"> • 5-45°C (41-113°F) • relative humidity max. 80%
■ Product combinations	
T-Flex	telescopic extraction arm
T-Flex/CW	telescopic extraction arm
Flex-2/3/4	flexible extraction arm
UltraFlex-3/4	ultraflexible extraction arm
TNB/NMB	wall mounting bracket
■ Available options	
SAS-160	silencer; noise reduction 5 dB(A)
Motor protection switch (MPS) for FAN-28:	
<ul style="list-style-type: none"> • 115V/1~/50Hz • 230V/1~/50Hz • 230V/3~/50Hz • 400V/3~/50Hz • 120V/1~/60Hz • 230V/1~/60Hz • 230V/3~/60Hz • 400V/3~/60Hz 	<ul style="list-style-type: none"> • MPS 10-16A • MPS 4.0-6.3A • MPS 2.5-4.0A • MPS 1.6-2.5A • MPS 6.3-10A • MPS 4.0-6.3A • MPS 2.5-4.0A • MPS 1.6-2.5A
Thermal relay (NTR) for FAN-28:	
	CB / CB-WCS +
<ul style="list-style-type: none"> • 115V/1~/50Hz • 230V/1~/50Hz • 230V/3~/50Hz • 400V/3~/50Hz • 120V/1~/60Hz • 230V/1~/60Hz • 230V/3~/60Hz • 400V/3~/60Hz 	<ul style="list-style-type: none"> • NTR 10-13A • NTR 4.2-5.7A • NTR 2.3-3.1A • NTR 1.3-1.7A • NTR 7.6-10A • NTR 4.2-5.7A • NTR 3.1-4,2A • NTR 1.7-2.3A
■ Scope of supply	
Fan - Hardware	
■ Order information	
FAN-28:	Article number:
<ul style="list-style-type: none"> • 115V/1~/50Hz (115) • 230V/1~/50Hz (215) • 230V/3~/50Hz (235) • 400V/3~/50Hz (435) 	<ul style="list-style-type: none"> • 7905220020 • 7905220010 • 7905220050 • 7905220040

• 120V/1~/60Hz (116)	• 0000102540
• 230V/1~/60Hz (216)	• 7905222030
• 230V/3~/60Hz (236)	• 7905222020
• 400V/3~/60Hz (436)	• 7905222040
Number/package	1
Shipping data	
Gross weight	18 kg (39¾ lbs.)
Packing dimensions	550 x 550 x 400 mm (21½ x 21½ x 15¾ in.)
Max. number/pallet	10
Harmonized Tariff Code	8414.5940.90
Country of origin	the Netherlands

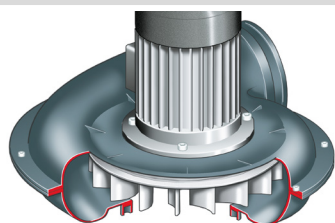
APPROVALS/CERTIFICATES



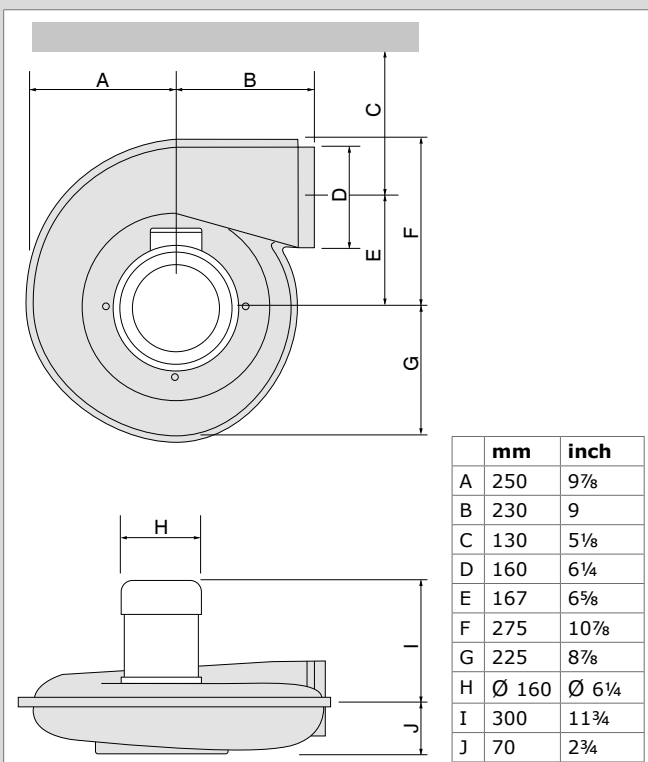
Directive 2011/65/EC (RoHS)
valid as of 8 June 2011

FEATURES

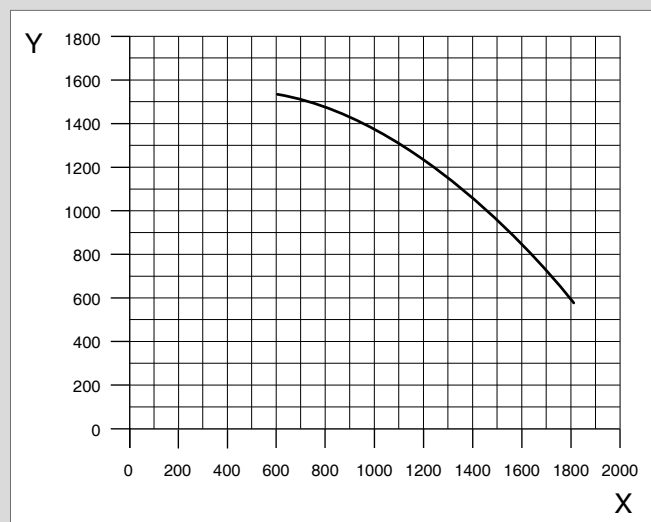
Radial fan wheel



DIMENSIONS



FAN CURVE



X = Airflow (m³/h)

Y = Static pressure (Pa)

Application restrictions

Do **not** use the product for the following applications or in the following circumstances: arc-air gouging | aluminium laser cutting | extraction of aggressive fumes and gases (e.g. from acids, from alkaline, from soldering paste containing lithium) | extraction of hot gases (more than 45°C/113°F continuously) | grinding aluminum and magnesium | flame spraying | extraction of cement, saw dust, wood dust etc. | sucking cigarettes, cigars, oiled tissues and other burning particles, objects and acids | explosive environments or explosive substances/gases



Product type

FAN-28

Article no.

refer to order information

Product category

extraction fans

Version

120421/I

Always check the latest version on www.plymovent.com