

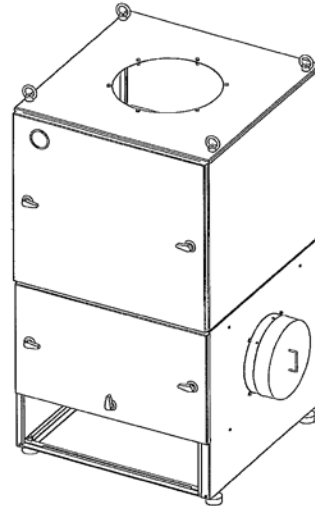
MF-31

– Mechanical Filter, freestanding

TECHNICAL DATA

Unit specification

Housing material:	Galvanized steel
Housing finish:	Epoxy powder coat
Unit weight:	72 kg / 158 lbs
Unit dimensions:	H: 1271 mm / 50 inch W: 680 mm / 26 3/4 inch D: 718 mm / 28 5/16 inch
Air volume:	2500 m ³ /h / 1470 CFM
Max. negative pressure:	4000 Pa / 16" wg
Filter indicator:	Manometer 0-2000 Pa / 0-8" wg

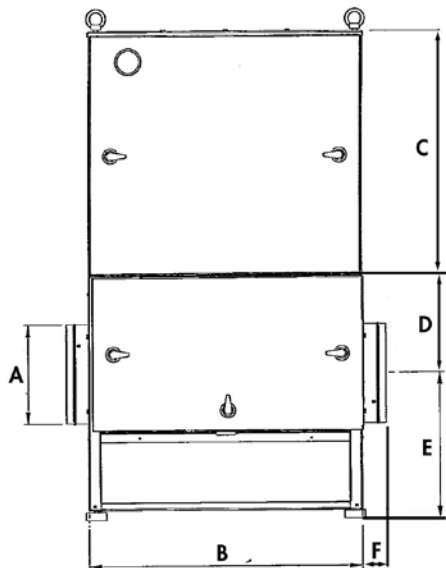


Filter elements:

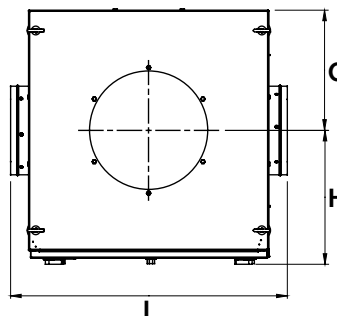
- Stage 1: Spark arrester, baffle type
- Stage 2: Pre-filter, Aluminium – PF-INL-AL
- Stage 3: Fine filter, glass fibre – GFMF
95% ASHRAE/F9 EuroVent/BIA-C
Final filter pressure: 800 Pa / 3.2" wg

DIMENSIONAL DATA

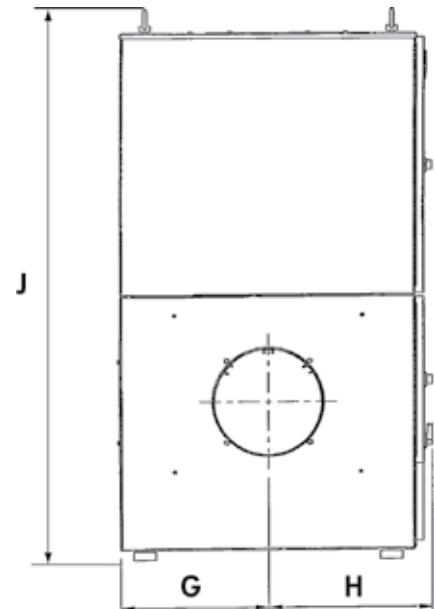
Front view



Top view



Side view



	mm	inch
A	250	9 27/32
B	675	26 9/16
C	602	23 11/16
D	250	9 27/32
E	384	15 3/32
F	54	2 1/8
G	340	13 3/8
H	378	14 29/32
I	782	30 13/16
J	1283	50 1/2

PlymoVent representative



PLYMOVENT®

PlymoVent AB
Industrigatan 26,
SE-212 14 Malmö, Sweden
Tel: +46 40 30 31 30,
Fax: +46 40 30 31 40
www.plymovent.com
info@plymovent.se

PlymoVent Ltd
Marley Way, Southam Road, Banbury,
Oxfordshire OX16 2RA, England
Tel: (01295) 25 93 11,
Fax: (01295) 27 17 50
www.plymovent.co.uk
info@plymovent.co.uk