



SAFETY DISCONNECT HANDLE



The ergonomic handle for safe operation
of your exhaust removal system

SAFETY DISCONNECT HANDLE

Firefighters and emergency personnel should expect intelligent engineering in all elements of their exhaust removal system. That is what drove Plymovent to develop the Safety Disconnect Handle, a core component in our vehicle exhaust systems. The Safety Disconnect Handle connects the lower hose to the upper hose assembly. In the unlikely event the nozzle remains engaged as the vehicle exits the facility, the handle disconnects from the assembly to prevent damage to the system.

FUNCTIONAL DESIGN

The Safety Disconnect Handle is available for a 4 or 5 in. (100 or 150 mm) hose diameter and is ergonomically designed for ease of use. The Safety Disconnect Handle includes a round rubber “bumper” that can be gripped comfortably, even while wearing gloves. Plus, the operator can stand upright to connect the nozzle, thus limiting the risk of exposure to exhaust fumes.

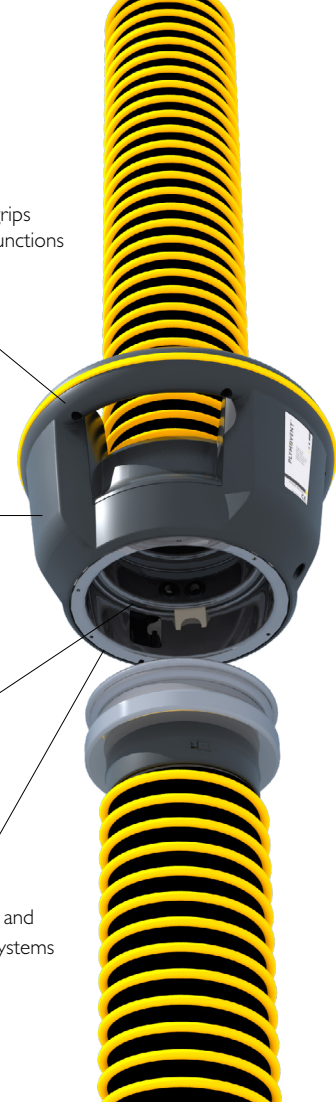
The inside is made of durable steel to withstand high-temperature exhaust gases, while the outside is made of engineered plastics. An aluminum inner flange collar makes it easy to reconnect. When operating the Plymovent Pneumatic Grabber® system, the integrated pneumatic valve is shielded and positioned to allow for simple operation.

Ergonomic in use and operation, with large grips and easy-to-operate functions

Made of 'scratch-safe' materials resistant to high temperatures

Uninterrupted airflow through the hose

Available for Magnetic and Pneumatic Grabber® systems



PLYMOVENT SOURCE CAPTURE SYSTEMS: AN INDUSTRY STANDARD

The Safety Disconnect Handle is available with Plymovent's Pneumatic and Magnetic Grabber® exhaust removal systems. A Plymovent system enables you to remove dangerous exhaust gases efficiently, saving you money and assuring clean air at the workplace.

Our philosophy is to provide high-quality systems that are safe, user-friendly and code-compliant. Our line of source capture systems are designed for many types of stations and facilities, reducing the risks associated with harmful diesel exhaust.




PLYMOVENT®

clean air at work

**Plymovent Exhaust
Extraction GmbH**

Redcarstraße 36
53842 Troisdorf
Germany

T 0800 8833 112
F +49 (0)22 41-923 88 - 10
E export@plymovent.de

 [plymovent.ee](https://www.plymovent.ee)

Plymovent cares about the air you breathe. We offer products, systems and services which ensure clean air at work, anywhere in the world.

We respect the environment and we deliver high-quality products. Our expertise gained over many years and our genuine commitment to customer requirements enable us to provide precisely the solutions you need.

Plymovent reserves the right to make design changes.

BRO_SDCH_A4_EN