

SPARKSHIELD (metric)

CYCLONE SPARK ARRESTER

The SparkShield provides highly effective removal of sparks and cigarette butts. Besides, it is a very effective in-line pre-separator reducing dust load in the connected filter system.

The SparkShield is to be mounted in horizontal position. Its divisible housing enables maintenance without duct disassembly.

The SparkShield comes with a dustbin of 13 and 25 litres. The distance between the spark arrester and dustbin can be enlarged by a duct of Ø 200 mm.

APPLICATIONS

The SparkShield is part of Plymovent's *SHIELD fire safety solutions* and recommended to be used in applications with a high fire risk, such as:



- robotic welding of oily stamped products
- robotic and automatic welding of oily products
- manual welding of oily products
- cutting tables
- schools and other areas with risk of cigarette butts

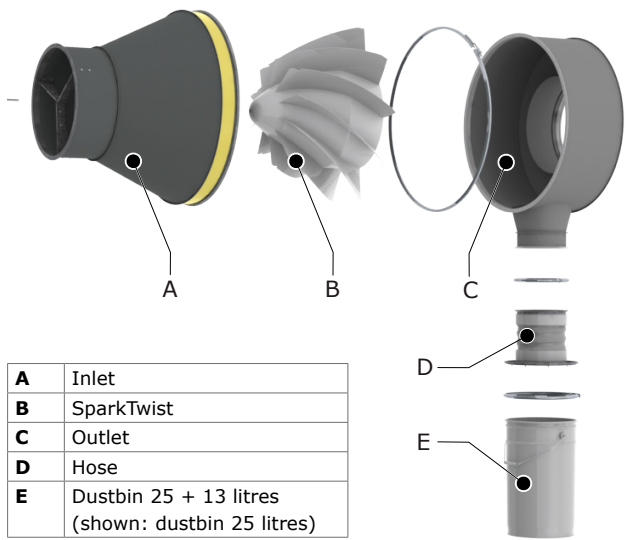
SPECIFICATIONS

Physical dimensions and properties	
Material:	<ul style="list-style-type: none"> • powder-coated steel • galvanized steel • tin • glassfibre/kevlar/metal
<ul style="list-style-type: none"> • inlet + outlet • SparkTwist • dustbin • hose 	
Colour:	<ul style="list-style-type: none"> • grey RAL 7011 • grey RAL 7035 • natural • grey/black
Product combinations	
Refer to the application data sheet about <i>SHIELD fire safety solutions</i> of Plymovent for recommended product combinations	
As separate spark arrester in the extraction duct of central filter systems	
Scope of supply	
Spark arrester, consisting of inlet with SparkTwist and outlet, connected by duct clamp - Dustbin 13 litres + 25 litres - Dustbin cover incl. connection flange + hose - Duct connection material	
Logistics data	
Harmonized Tariff Code	84213925
Country of origin	Netherlands

For more detailed specifications: refer to the table on page 2



MAIN COMPONENTS



SEPARATION OF SPARKS

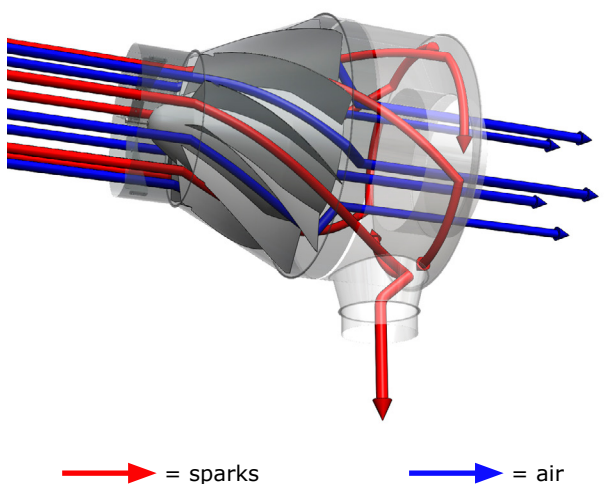
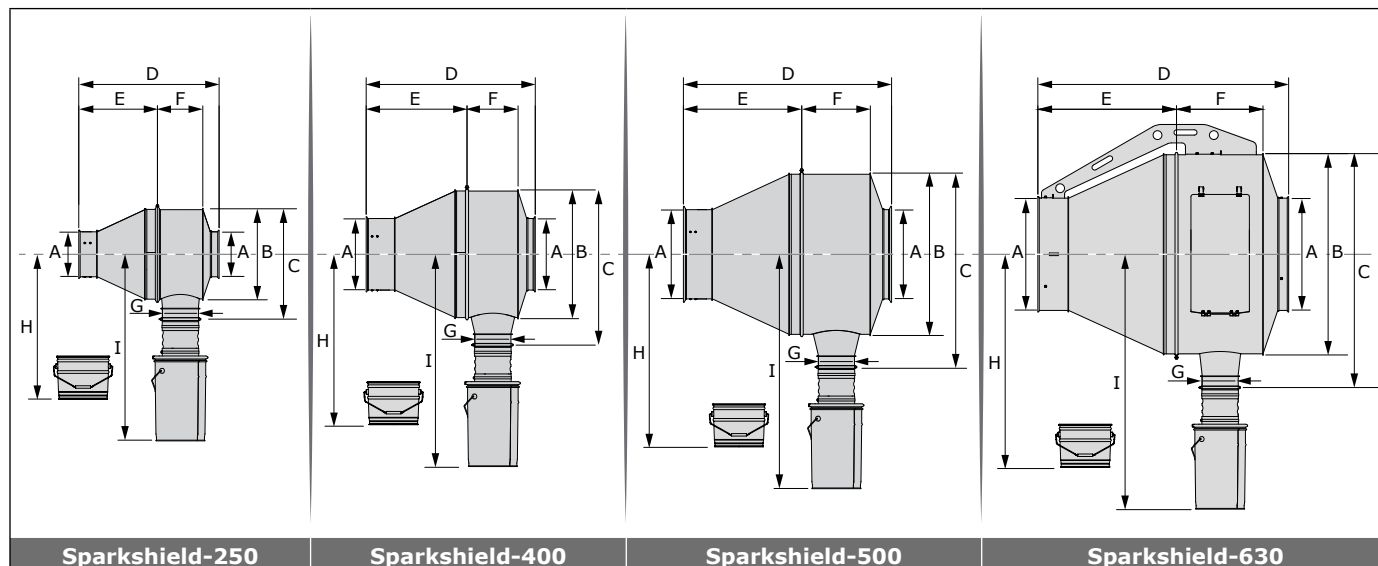
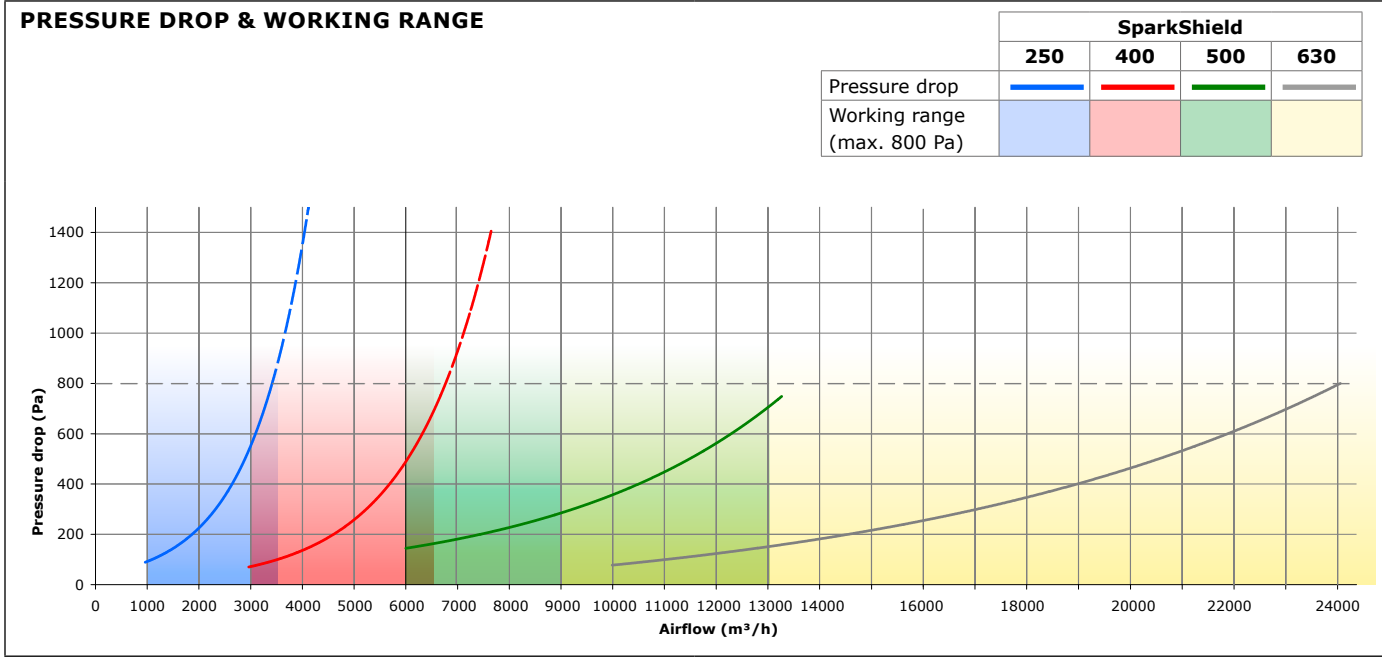


Table: specifications per type

	SparkShield-250	SparkShield-400	SparkShield-500	SparkShield-630
Physical dimensions and properties				
A	∅ 250 mm	400 mm	500 mm	630 mm
B	∅ 514 mm	727 mm	917 mm	1137 mm
C	623 mm	875 mm	1095 mm	1321 mm
D	793 mm	955 mm	1176 mm	1416 mm
E	444 mm	569 mm	668 mm	783 mm
F	256 mm	288 mm	387 mm	488 mm
G	∅ 200 mm	200 mm	200 mm	200 mm
H	min. 825 mm	970 mm	1095 mm	1200 mm
I	min. 1050 mm	1200 mm	1325 mm	1420 mm
Inspection & service hatch (2)	n/a	n/a	n/a	330 x 675 mm
Weight (net)				
• total	• 29 kg	• 50 kg	• 56 kg	• 112 kg
• spark arrester only	• 25 kg	• 46 kg	• 52 kg	• 118 kg
Appropriate duct diameter	∅ 250 mm	∅ 400 mm	∅ 500 mm	∅ 630 mm
Options and accessories				
Inspection hatch for:				
• vertical duct	• IH-200/8	• IH-200/8	• IH-200/8	• IH-200/8
• horizontal duct	• IH-250/10 (2x)	• IH-400/16 (2x)	• IH-500/20 (2x)	• IH-630/24 (2x)
Shut-off valve for vertical duct	MD-200	MD-200	MD-200	MD-200
Industrial detergent	EFC	EFC	EFC	EFC
Order information				
Article number	9760001010	9760001020	9760001030	0000111948
Logistics data				
Gross weight				
• excl. pallet	• 31 kg	• 53 kg	• 62 kg	• 150 kg
• incl. pallet	• 40 kg	• 66 kg	• 87 kg	• 168 kg
Packing dimensions	80 x 60 x 80 cm	120 x 80 x 100 cm	120 x 100 x 120 cm	





PATENT	United States Patent and Trademark Office (2017)
---------------	--

The installation of any product(s) not included in the initial design of an extraction system could add additional static pressure to the overall system design. By doing so, the result may be a reduction of airflow at the extraction point.

Product type	SparkShield (metric)
Article no.	refer to order information
Product category	SHIELD fire safety solutions
Version	041121/K

Always check the latest version on www.plymovent.com