

MNF

CONTROLS

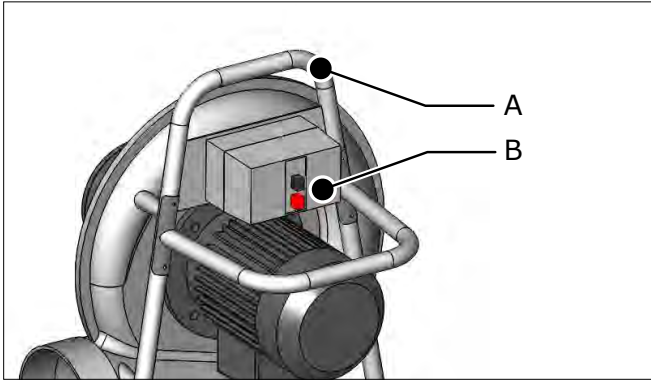


Fig. 1

A Carrying frame

B Motor protection switch

- black button: ON
- red button: OFF

USE

Since it concerns a portable unit, the MNF can be used at any desirable place. It comes with an extraction hose of 5 m with a nozzle. Due to the magnetic foot on the nozzle, the welding fume can be extracted near the source.

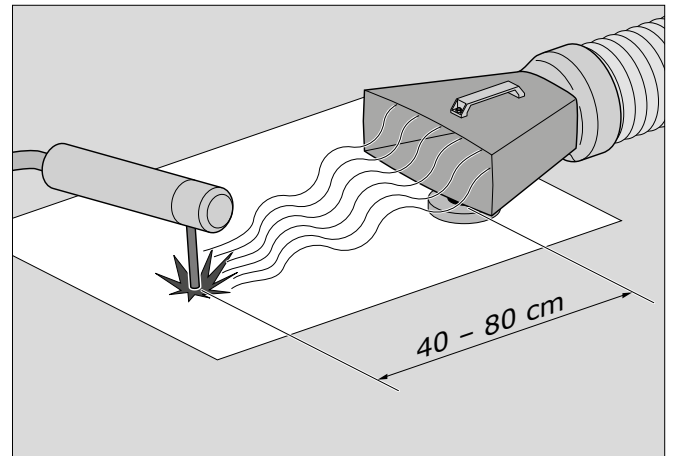


Fig. 2

- Position the extraction nozzle at 40 to 80 cm from the source of pollution.
- Press the black ON button on the motor protection switch to put the fan in operation.
- Start welding.
- When the welding position changes, move the nozzle to the correct position in relation to the weld.
- Press the red OFF button approx. 20 seconds after finishing welding.



WARNING

To keep the welding fume away from the breathing zone of the welder, make sure that all fume is extracted through the nozzle.



Refer to the manual supplied with the product for safety instructions and extensive user information.