

SAFETY DISCONNECT HANDLE

HOSES AND NOZZLES

The Safety Disconnect Handle (SDCH) is used to facilitate the connection of the exhaust removal system in emergency and fire stations. The Safety Disconnect Handle connects the lower hose to the upper hose assembly. In the unlikely event the nozzle remains engaged as the vehicle exits the facility, the handle disconnects from the assembly to prevent damage to the system. It is designed to prevent the user from having to bend over to connect a Grabber® to the tailpipe; limiting the danger of exposure to exhaust emissions.

The Pneumatic SDCH includes an integrated pneumatic valve, when used in a magnetic system the valve area is covered.



Unit displayed is the Pneumatic version

APPLICATIONS

The SDCH is intended to be used for the following applications:



- To eliminate hazardous vehicle exhaust emissions with our vehicle exhaust capture and removal systems for the following segments: fire and emergency service stations as well as military facilities.

SPECIFICATIONS

Physical dimensions and properties

Material	<ul style="list-style-type: none"> Housing Inner flanges 	<ul style="list-style-type: none"> nylon PA6 (30%) aluminum
Color	grey with yellow support colors	
Weights	<ul style="list-style-type: none"> SDCH SDCH incl. mechanical air valve 	<ul style="list-style-type: none"> 3.4 lbs (1,5 kg) 3.8 lbs (1,8 kg)

Ambient conditions

Operating temperature:	<ul style="list-style-type: none"> min. max. 	<ul style="list-style-type: none"> 23°F (-5°C) 140°F (60°C)
Max. relative humidity	80%	
Outdoor use allowed	no	
Storage conditions	<ul style="list-style-type: none"> 23-140°F (-5°C to + 60°C) relative humidity max. 80% 	

Where used

Plymovent railsystems

Scope of supply

SDCH | Build in air valve for pneumatic versions

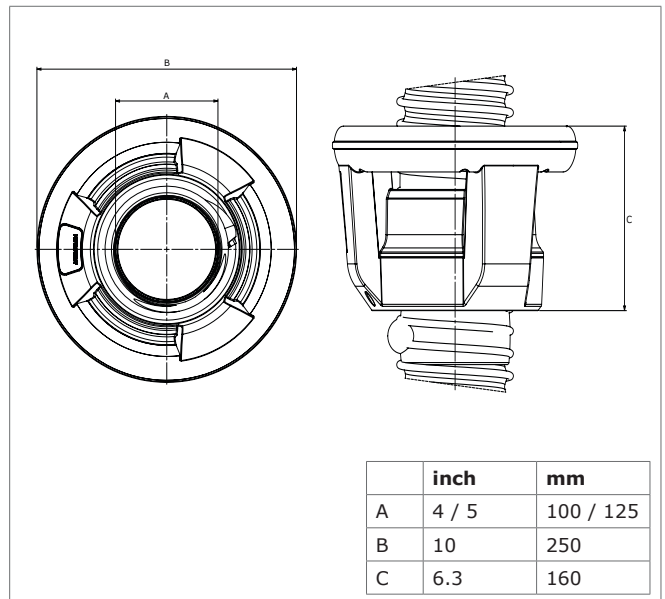
Order information

Article no.	see remaining specifications
Number/package	1

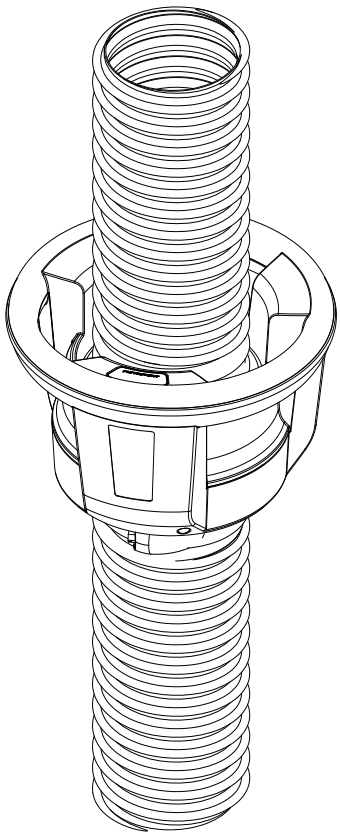
Shipping data

Gross weight	see remaining specifications
Packing dimensions	see remaining specifications
Harmonized Tariff Code	84219990
Country of origin	the Netherlands

DIMENSIONS



FEATURES & BENEFITS




- Large grips, designed for ergonomic use, even with gloves on.
- Designed to prevent the user from having to bend over to connect a Grabber® to the tailpipe.
- Limiting the dangers of exposure to exhaust gasses.
- Accessible from every angle (360°).
- The interior is made from durable steel to withstand high temperatures.
- Maximum efficiency through uninterrupted airflow through the hose.
- Available for all Plymovent Pneumatic and Magnetic systems.

The Safety Disconnect Handle Magnetic is shown

REMAINING SPECIFICATIONS

Article no.	Description	Gross weight	Dimensions
0000116005	Safety Disconnect Handle 4 in. (100 mm) magnetic	4.4 lbs (2 kg)	30.7 x 20.5 x 14 in. (780 x 520 x 355 mm)
0000116006	Safety Disconnect Handle 5 in. (125 mm) magnetic	4.4 lbs (2 kg)	30.7 x 20.5 x 14 in. (780 x 520 x 355 mm)
0000116007	Safety Disconnect Handle 4 in. (100 mm) pneumatic (incl. MFD valve)	5 lbs (2,3 kg)	30.7 x 20.5 x 14 in. (780 x 520 x 355 mm)
0000116009	Safety Disconnect Handle 5 in. (125 mm) pneumatic (incl. MFD valve)	5 lbs (2,3 kg)	30.7 x 20.5 x 14 in. (780 x 520 x 355 mm)

APPROVALS/CERTIFICATES

	PAHs free
---	-----------

AUTHORIZED PLYMOVENT DISTRIBUTOR

Product type	Safety Disconnect Handle
Article no.	see remaining specifications
Product category	SDCH
Version	260521/0

Always check the latest version on www.plymovent.com