

MW-2

MistWizard™ – for coolant filtration



PlymoVent MistWizard™ MW-2 is perfect for single CNC machine tool enclosures where the internal volume is between **2 m³/70 ft³** and **4 m³/140 ft³**.

MistWizard™ MW-2 is a self-contained coolant recovery system, which allows you the ability to direct mount the MistWizard™ to your machine tool and remote mount a central exhaust fan to create a system installation. The advantage of a central system installation is that you can operate up to 12 MW-2 units just using one fan. This in combination with the use of an energy saving DCV-Controller will cut your energy consumption of the system by **25-50%**.

This is how the MistWizard™ works:

- Coolant saturated air is drawn in to the AquaSpin™ inlet where it centrifugally separates coolant mist particle down to 1µm.
- Particles less than 1µm will travel to the Coolant-Tec™ coalescing filter. This filter has the ability to collect particles as small as 0.3µm with an efficiency up to 99.97%.
- The air will continue through a spark resistant fan, where the clean air can be recycled back to the work space or exhausted to the atmosphere which ever you choose.

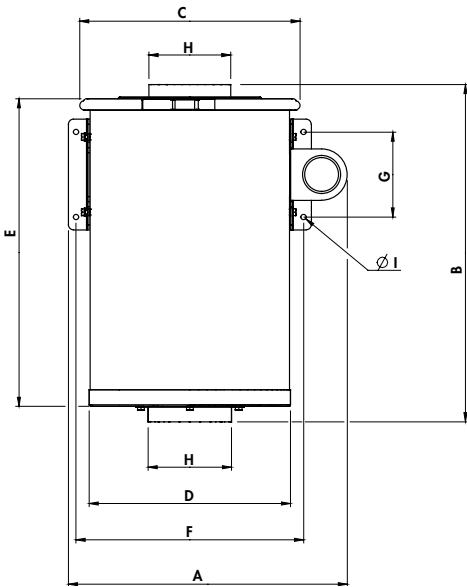


The MistWizard™ will give you!

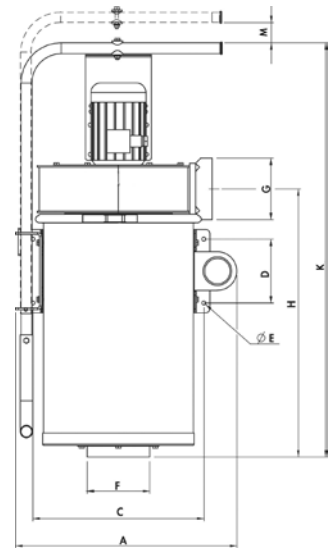
Higher
filtering efficiency
employee moral
company image
production output
return on investment

Lower
energy consumption
maintenance cost
operating cost
installation cost
purchase cost

PLYMOVENT®



	mm	inches
A	542	21 11/32
B	642	25 13/32
C	428	16 27/32
D	390	15 13/32
E	597	23 17/32
F	442	17 13/32
G	165	6 1/2
H	159	6 1/4
I	10.5	13/32
J	572	22 1/5
K	1070	42 1/8
L	695	27 1/4
M	45	1 25/32



TECHNICAL DATA

Unit specifications

Housing material: Steel
 Housing finish: Epoxy powder coat
 Unit weight: 13 kg / 29 lbs
 Air volume: 1100 m³/h / 650 CFM
 Intake velocity: 14 m/s / 2800 fpm
 Outlet velocity: 14 m/s / 2800 fpm

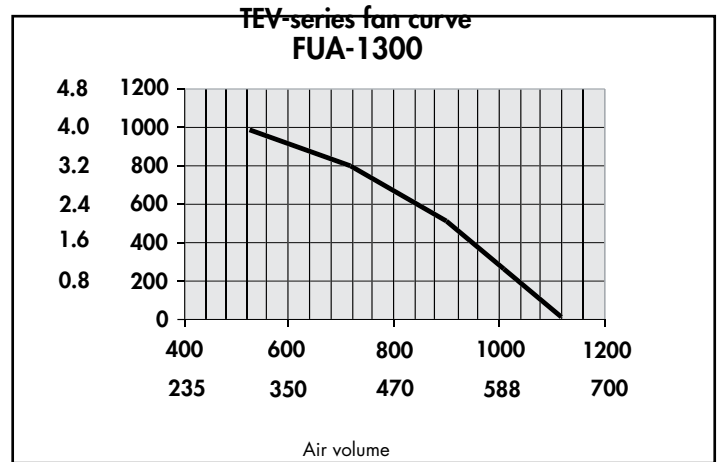
Filter elements:

Stage 1: AquaSpin™ inlet, self-cleaning
 Stage 2: Polyester filter wrap
 Stage 3: Coolant-Tec filter cartridge, washable
 Filter indicator: Manometer gauge 0-1000 Pa / 0-4" wg

TEV fan	No. of MW-2	Total m ³ /h/CFM	Filter Pa/in wg	Duct work Pa/in wg	Total system Pa/in wg
TEV-385-50	2	2200/1294	500/2	1000/4	1500/6
TEV-585-50	5	4950/2912	500/2	1500/6	2000/8
TEV-765-50	7	7150/4206	500/2	2000/8	2500/10
TEV-985-50	9	9900/5824	500/2	2500/10	3000/12

Initial filter pressure – 100 Pa / 0.4" w.g.
 Operating filter pressure – 500 Pa / 2" w.g.
 Final filter pressure – 1000 Pa / 4" w.g.

Check TEV fan curves when designing the system



Options:

PlymoVent offers options which include wall mounting bracket, floor or ceiling stanchion, elevated machine stand, Y-branch connections for splitting of inlet, inlet with drain loop-kit and spare filter elements.

Warranty: Limited one year warranty from date of installation on all replacement parts due to faulty workmanship or materials.

SOUND POWER DATA

TEV-fan model	Octave Band (Hz)							LwA
	63 Hz	125 Hz	250 Hz	500 Hz	1000 Hz	2000 Hz	4000 Hz	
TEV-385-50	68.7 dB	72.7 dB	78.4 dB	73.4 dB	76.9 dB	69.7 dB	64.6 dB	79.3 dB
TEV-585-50	84.3 dB	84.9 dB	86.3 dB	81.7 dB	82.5 dB	77.2 dB	70.8 dB	85.9 dB
TEV-765-50	86.4 dB	84.1 dB	86.4 dB	81.6 dB	84.0 dB	78.7 dB	74.8 dB	87.1 dB
TEV-985-50	90.2 dB	94.4 dB	95.4 dB	92.3 dB	93.2 dB	86.3 dB	80.7 dB	95.8 dB

The sound power measurement in accordance with SS-ISO 5135.

PLYMOVENT®

Sales office
 PlymoVent AB
 Tangenten 2, Industrigatan 26,
 SE-212 14 MALMÖ, Sweden
 Tel: +46 40 30 31 30
 Fax: +46 40 30 31 40
 info@plymovent.se

PlymoVent Ltd
 Marley Way, Southam Road, Banbury, Oxfordshire
 OX16 2RA, England
 Tel: (01295) 25 93 11,
 Fax: (01295) 27 17 50
 www.plymovent.co.uk info@plymovent.co.uk

PlymoVent representative

