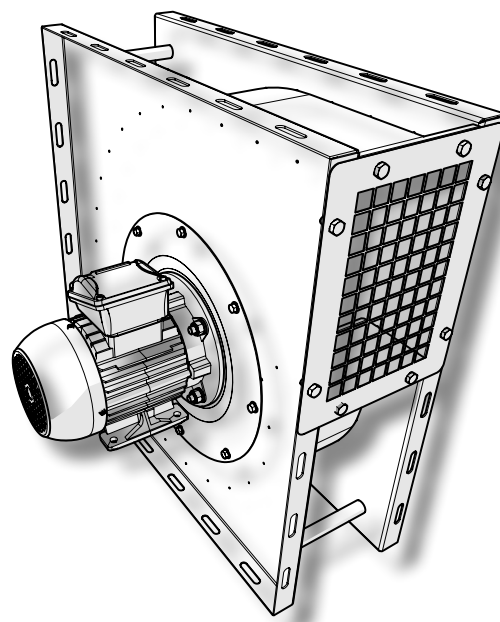


EN Extraction fan (60Hz)

TEV-359/3110/559/585/745/768



EN User manual

TABLE OF CONTENTS

TABLE OF CONTENTS 1

GENERAL PRECAUTIONS 2

Preface 4

1 Introduction 4

1.1 Identification of the Product 4

1.2 General Description 4

1.3 Product Combinations 4

1.4 Options and Accessories 4

1.5 Technical Specifications 4

1.6 Noise Level 4

1.7 Dimensions 4

1.8 Pressure Drop 5

1.9 Transport of the Unit 5

1.10 Ambient Conditions 5

2 Product description 5

2.1 Components 5

2.2 Operation 5

3 Safety 5

4 Installation 7

4.1 Unpacking 7

4.2 Installation 7

4.3 Electric Connection 8

5 Maintenance 8





6 Troubleshooting 9

7 Spare parts 9

8 Electrical diagram 9

9 Disposal 9

GENERAL PRECAUTIONS

	ATTENTION Allow only qualified personnel familiar with adjustable frequency AC drives, and associated machinery to plan or implement the installation, start-up and subsequent maintenance of the system. Failure to comply can result in personal injury and/or equipment damage.
	ATTENTION To avoid an electric shock hazard, verify that the voltage on the bus capacitors has discharged before performing any work on the electrical controls, switches and/or drives if applicable.
	ATTENTION Incorrectly applied or installed electrical controls, switches and/or drives can result in component damage or a reduction in product life. Wiring or application errors, such as, undersizing the motor, incorrect or inadequate AC supply, or excessive ambient/process temperatures can result in malfunction of the system.
	ATTENTION The electrical controls, switches and/or drives may contain ESD (Electrostatic Discharge) sensitive parts and assemblies. Static control precautions may be required when installing, testing, servicing or repairing this assembly. Component damage can result if ESD control procedures are not followed.

IMPORTANT USER INFORMATION

Read this document in entirety before you install, configure, operate, or maintain this product. Users are required to familiarize themselves with installation and wiring instructions in addition to requirements of all applicable codes, laws and standards.

Activities including installation, adjustments, putting into service, use, assembly, disassembly, and maintenance are required to be carried out by suitably trained personnel in accordance with applicable code of practice.

If this equipment is used in a manner not specified by the manufacturer, the protection provided by the equipment may be impaired.

In no event will Plymovent be responsible or liable for indirect or consequential damages resulting from the use or application of this equipment.



The examples and diagrams in this manual are included solely for illustrative purposes. Because of the many variables and requirements associated with any particulate installation, Plymovent cannot assume responsibility or liability for actual use based on the examples and diagrams.

No patent liability is assumed by Plymovent with respect to use of information, circuits, equipment, or software that may be described in this manual. Throughout this manual, when necessary, notes may be used to make you aware of safety considerations.

The operation of exhaust extraction systems can be affected by various factors including but not limited to proper design of the



system, operating procedures, service and maintenance. Fume exhaust exposure levels should be checked upon installation and periodically thereafter to ensure that they fall within applicable regulations and exposure limit values.

Plymovent systems are made code compliant, please ensure the system is properly designed, operated, serviced and maintained.

	WARNING! Identifies information about practices or circumstances that can cause an explosion in a hazardous environment, which may lead to personal injury, death, property damage, or economic loss.
	ATTENTION Identifies information about practices or circumstances that can lead to personal injury or death, property damage, or economic loss. Attentions help you identify a hazard, avoid a hazard, and recognize the consequent.

IMPORTANT

Identifies information that is critical for successful application and understanding of the product.

	SHOCK HAZARD Labels may be on outside or inside of the equipment, for example control box, to alert people that dangerous voltage may be present.
	ARC FLASH HAZARD Labels may be on outside or inside of the equipment, for example control box, to alert people to potential Arc Flash. Arc Flash will cause severe injury or death. Wear proper Personal Protection Equipment (PPE). Follow ALL regulatory requirements for safe work practices and for Personal Protective Equipment (PPE).

BE SURE THAT ALL INSTALLATION, OPERATION, MAINTENANCE AND REPAIR PROCEDURES ARE PERFORMED ONLY BY QUALIFIED INDIVIDUALS.

EN - ORIGINAL INSTRUCTION

All rights reserved. The information given in this document has been collected for the general convenience of our clients. It has been based on general data pertaining to construction material properties and working methods known to us at the time of issue of the document and is therefore subject at anytime to change or amendment, and the right to change or amend is hereby expressly reserved. Changes may be made with or without notification, it is the users responsibility to ensure they have attained the most recent copy of this document for their files. The instructions in this publication only serve as a guideline for installation, use, maintenance and repair of the product mentioned on the cover page of this document. This publication is to be used for the standard model of the product of the type given on the cover page. Thus the manufacturer cannot be held responsible for any damage resulting from the application of this publication to the version actually delivered to you. This publication has been written with great care. However, the manufacturer cannot be held responsible, either for any errors occurring in this publication or for their consequences.






PREFACE

Using this manual

This manual is intended to be used as a work of reference for professional, well trained and authorized users to be able to safely install, use, maintain and repair the product mentioned on the cover of this document. This user manual should always be kept with the product, as well as a duplicate copy be kept by the maintenance department after installation.

Pictograms and symbols

The following pictograms and symbols are used in this manual:

	ATTENTION A remark with additional information for the user. A remark brings possible problems to the user's attention.
	CAUTION! Procedures, if not carried out with the necessary caution, could damage the product, the workshop or the environment.
	WARNING! Procedures which, if not carried out with the necessary caution, may damage the product and/or cause serious personal injury.
	CAUTION! Risk of electric shock.
	WARNING! Fire hazard! Important warning to prevent fire.

Text Indicators

Listings indicated by "-" (hyphen) concern enumerations.
Listings indicated by "•" (bullet point) describe steps to perform.

Service and Technical Support

For information about specific adjustments, maintenance or repair jobs which are not dealt with in this manual, please contact the supplier of the product. Make sure you have the following specifications at hand:

- product name
- serial number

You can find this data on the identification tag.

1 INTRODUCTION

1.1 Identification of the Product

The identification tag contains, among other things, the following data:

- product name
- serial number
- supply voltage and frequency
- power consumption

1.2 General Description

The TEV is a central extraction fan that is specially designed to remove welding, other fumes, dust, oil mist and exhaust gases. The fan is intended and designed for mounting to filter units and vehicle exhaust extraction systems or can be used as a central fan.

1.3 Product Combinations

The fan can be used with all filter units, fume extraction and hose reel/drop systems.


1.4 Options and Accessories

The following products can be obtained as an option and/or accessory:

<i>Outlet transition from rectangular to round</i>	
• TOL-250 (10" Ø)	• TEV-359/3110
• TOL-315 (12" Ø)	• TEV-559/585
• TOL-400 (16" Ø)	• TEV-745/768
<i>Soft connection for noise and vibration free connection to duct (to be installed with outlet transition TOL) or on fan WEST.</i>	
• SC-200 (8" Ø)	• TEV-359/3110 (inlet)
• SC-250 (10" Ø)	• TEV-359/3110 (outlet) • TEV-559/585 (inlet)
• SC-315 (12" Ø)	• TEV-559/585 (outlet) • TEV-745/768 (inlet)
• SC-400 (16" Ø)	• TEV-746/768 (outlet)
<i>Vibration dampers to isolate noise and vibration</i>	
• TEV-AV/35	• TEV-359/3110/559/585
• TEV-AV/79	• TEV-745/768

1.5 Technical Specifications

Construction	AMCA Class B
Motor design	NEMA
Fan type	centrifugal/direct drive
Energy efficiency	Super premium
RPM	≈3500
Insulation class	F
Protection class	IP 55
Max. starts/stops per hour	6
Frequency	60Hz
Max. airflow temperature	176°F (80°C) continuously
Connection voltages	- 115/208-230V/1ph/60Hz (for 2 HP fan only) 208-230/460V/1ph/60Hz - 208-230/460V/3ph/60Hz - 575V/3ph/60Hz
Power	- 2 HP (1.5 kW) - 3 HP (2.2 kW) - 5 HP (4 kW) - 7.5 HP (5.5 kW) - 10 HP (7.5 kW) - 15 HP (11 kW)

	Refer to the available product data sheet for detailed specifications.
---	--

1.6 Noise Level

Refer to "Table II" on page 11

1.7 Dimensions

Refer to "Fig. I Fan Dimensions" on page 12.

1.8 Pressure Drop

Refer to "Fig. III Pressure Drop" on page 13.

1.9 Transport of the Unit

The manufacturer cannot be held liable for any damage to the fan due to shipping or mishandling. Always handle the unit and the accompanying options and/or accessories, if any, with care.

1.10 Ambient Conditions

Optimal operating temperature range	-4°F (-20°C) - 104°F (40°C)
Nom. operating temperature	68°F (20°C)
Max. relative humidity	100%*
*Fan not rated for submersion	

2 PRODUCT DESCRIPTION

2.1 Components

The fan consists of the following main components:

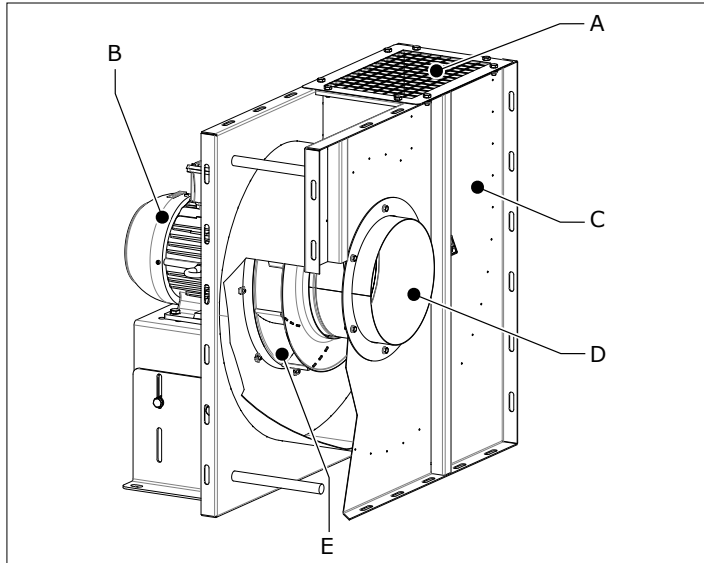


Fig. 2.1 Main components

- A Outlet with debris screen
- B Motor
- C Housing
- D Inlet
- E Fan wheel

2.2 Operation

The inlet of the fan is to be connected to the outlet of a central extraction system. The extracted air is blown out at the top of the fan through a duct. Depending on the local regulations, the air can either be recirculated or exhausted to the atmosphere.

2.2.1 Control Equipment

Plymovent provides control equipment for controlling the fan. Refer to the manual of the selected control equipment.

3 SAFETY

General

The manufacturer does not accept any liability for damage to the product or personal injury caused by ignoring the safety instructions in this manual, or by negligence during installation, use, maintenance, and repair of the product mentioned on the cover of this document and any corresponding accessories. Specific working conditions or used accessories may require additional safety instructions. Immediately contact your supplier if you detect a potential danger when using the product.

The user of the product is always fully responsible for observing the local safety instructions and regulations.

User Manual

- Everyone working on or with the product must be familiar with the contents of this manual and must strictly observe the instructions therein. The management should instruct the personnel in accordance with the manual and observe all instructions and directions given.
- Never change the order of the steps to perform.
- This user manual should always be kept with the product, as well as a duplicate copy be kept by the maintenance service department after installation.
- The examples and diagrams in this manual are included solely for illustrative purposes. Because of the many variables and requirements associated with any particular installation, Plymovent cannot assume responsibility or liability for actual use based on the examples and diagrams.
- No patent liability is assumed by Plymovent with respect to use of information, circuits, or equipment described in this manual.
- Reproduction of the contents of this manual, in whole or in part, without prior written permission of Plymovent is prohibited.

Pictograms and Instructions On The Product (if present)

- The pictograms, warning and instructions attached to the product are part of the safety features. They must not be covered or removed and must be present and legible during the entire life of the product.
- If pictogram, instructions or labels on the product become damaged, missing or illegible immediately discontinue use of the unit and replace or repair damaged or illegible pictogram, warnings and instructions.
- Contact your local authorized service technician for support.

Users

- The use of this product is exclusively reserved to authorized, trained and qualified users. Temporary personnel and personnel in training can only use the product under supervision and responsibility of skilled technicians.
- Stay alert and keep your attention to your work. Do not use the product when you are under the influence of drugs, alcohol or medicine.

Intended Use¹

This product has been designed to work in conjunction with a Plymovent automatic control system to provide a complete exhaust extraction system. Using the product for other purposes is considered contrary to its intended use. The manufacturer

¹ "Intended use" as explained in EN-ISO 12100 is the use for which the technical product is suited as specified by the manufacturer, inclusive of manufacturers directions in the sales brochure. In case of doubt, it is the use which can be deduced from the construction, the model and the function of the technical product which is considered normal use. Operating the machine within the limits of its intended use also involves observing the instructions in the user manual.

accepts no liability for any damages or injury resulting from such use. The product has been built in accordance with state-of-the-art standards and recognized safety regulations. Only use this product when in accordance with its intended use and the instructions explained in the user manual.

Technical Specifications

The specifications given in this manual must not be altered from the information given here within. This information is subject to change at any time with or without notice.

Modifications

Modifications of this product other than those listed within this manual are not allowed.

Installation





- The installation of this product is exclusively reserved to authorized, well-trained and qualified technicians.
- All installations must meet any and all applicable local laws, regulations, standards and requirements.
- It is the responsibility of the installing party to ensure that all codes are met during the installation of this control system. Any inspections required are the sole responsibility of the installing party.
- Inspect the product and check for damage(s) prior to installation.
- Verify the functioning of the safety features.
- During installation, always use Personal Protective Equipment (PPE) to avoid injury. This also applies to persons who enter the work area during installation.
- Never install the product in front of entrances or exits which must be used for emergency services.
- Mind any gas, water pipes and electric cables.
- Make sure that the workshop in the vicinity of the product contains sufficient approved fire extinguishers.

- Check the working environment. Do not allow unauthorized persons to enter the working environment.
- Protect the product against submersion.
- Make sure the room is always sufficiently ventilated; this applies especially to confined spaces.

Service, maintenance and repairs

- During service, maintenance and repair jobs, always use Personal Protective Equipment (PPE) to avoid injury. This also applies to persons who enter the work area during installation.
- Always use tools, materials, lubricants and service techniques which have been approved by the manufacturer. Do not use worn tools and do not leave any tools in or on the product.
- Safety features which have been removed for service, maintenance or repairs, must be put back immediately after finishing these jobs and it must be checked that they still function properly.

Use

	<p>WARNING</p> <p>Fire hazard! Do not use the product for:</p> <ul style="list-style-type: none"> - extracting flammable, glowing or burning particles or solids or liquids - extracting of aggressive fumes (such as hydrochloric acid) or sharp particles - sucking cigarettes, cigars, oiled tissues, and other burning particles, objects, and acids
	<p>WARNING!</p> <p>Do not use the product for:</p> <ul style="list-style-type: none"> - aluminium laser cutting - paint mist - extraction of hot gases (more than 176°F/80°C continuously) - grinding aluminium and magnesium - flame spraying - extraction of cement, saw dust, wood dust etc. - sucking cigarettes, cigars, oiled tissues and other burning particles, objects and acids - unit is not intrinsically safe <p><i>Note: this list is not all-encompassing.</i></p>
	<p>WARNING!</p> <p>Maintenance should only be performed by authorized, qualified and trained persons (skilled) using appropriate work practices.</p>
	<p>WARNING!</p> <p>Electrocution hazard</p> <p>Disconnect power before servicing. Failure to do so could result in serious personal injury or death.</p>

4 INSTALLATION



WARNING!

Do not attempt installation of this unit unless you are familiar with the necessary tools, equipment, utility connections and potential hazards. Installation should be performed only by a qualified service provider. Failure to do so could result in reduced performance of the unit, serious personal injury or death.



WARNING!

Fire hazard

Never install the fan in hazardous locations. Always use intrinsic safety techniques in applicable hazardous area. Intrinsic safety (IS) is a protection technique for safe operation of electrical equipment in hazardous areas by limiting the energy, electrical and thermal to a level available for ignition.

4.1 Unpacking

Check that the product is complete. The package should contain:
- extraction fan including motor support stand

4.1.1 Options and Accessories

The TOL (outlet transition) should contain:

- square to round outlet transition

The SC (soft connection) should contain:

- soft connection with 2 hose clamps

The TEV-AV (anti-vibration) kit should contain:

- vibration dampers
(TEV-359/3110/559/585: 4 pcs; TEV-745/768: 6 pcs)
- hardware (see Fig. 4.1)

If parts are missing or damaged, contact your supplier.



CAUTION!

Electric connection to be executed in accordance with NEC/local requirements. Ensure compliance with the EMC regulatory arrangements.

4.2 Installation

The standard outlet position of the TEV-359/3110/559/585/745/768 fan is at the top (ie. up-blast position). The direction of the TEV fan series outlet positions can be changed to side or bottom as required. Please contact Plymovent for non-standard outlet configurations. Plymovent cannot be held responsible for equipment damage, performance, facility damage or personal injury for fans modified in field. Extreme care should be taken if fan is disassembled/reassembled in the field.

Refer to "Fig. II Example of Positions" on page 12.

4.2.1 Tools and requirements

The following tools are necessary for installing the fan:

- wrench 10 mm (common all)
- wrench 13 mm (TEV-359/3110/559/585)
- wrench 16 mm (TEV-745/768)
- wrench 17 mm (TEV-745/768)
- screwdriver

4.2.2 Obtaining Correct Blast Position

Note: If fan blast is already correct, proceed to instruction 4.2.3.

To install the fan, proceed as follows (inc. rotate fan outlet inst.):

- Place fan on a secure, flat and safe working platform.
- Properly support the motor to prevent damage.

- Using a 10mm Wrench remove bolts from the motor mounting plate.
- Slide motor forward to remove it from the motor plate.
 - Note there are clip nuts in the housing which can be dislodged ensure all are accounted for and installed into the square opening.
- Rotate housing so the outlet is aimed the correct direction.
- If necessary adjust motor stand up or down to level the fan motor with the housing.
- Re-install the 10mm bolts and tighten to 160 IN-LBS.
- Place the fan in vertical position on the floor or platform.
- Do not position the fan where it is exposed to vibrations or shocks.

4.2.3 Installing the Vibration Isolators and Securing the Fan

We advise the use of vibration isolators to reduce the noise and possible vibrations produced by the fan.

Vibration isolators on motor and fan must be part of the same rigid support structure that does not allow independent movement from motor and housing to avoid damage.

To install the vibration isolators and secure the fan to the floor or platform (see Fig. 4.1):

TEV-359/3110/559/585:

Construct a frame from Strut Channel or similar to mount the motor mounting bracket and fan housing too. This will make the fan as a rigidly mounted unit and limit any independent movement or flex between the motor and fan housing.

Install the vibration isolators under the Strut Channel and attach to the building mounting surface.

- Torque: 88 in.-lbs (10 Nm)
- Mounting holes TEV/AV-35: Ø 0.31 in. (8.0 mm).

TEV-745/768:

Construct a frame from Strut Channel or similar to mount the motor mounting bracket and fan housing too. This will make the fan as a rigidly mounted unit and limit any independent movement or flex between the motor and fan housing.

Install the vibration isolators under the Strut Channel and attach to the building mounting surface.

- Torque: 88 in.-lbs (10 Nm)
- Mounting holes TEV/AV-79: Ø 0.43 in. (11.5 mm).

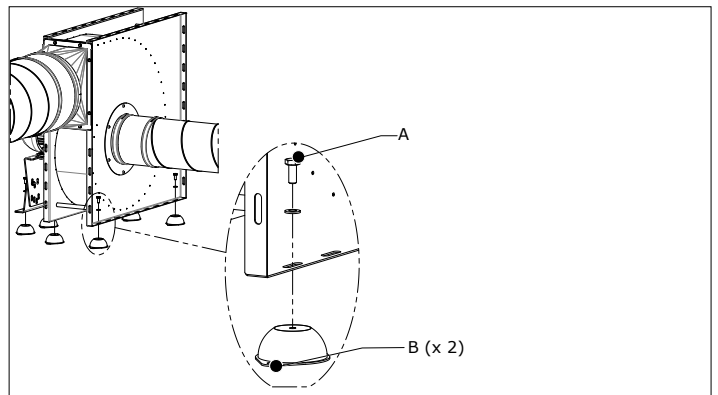


Fig. 4.1 Installing vibration isolators and securing the fan

**WARNING!**

Procedures which, if not carried out with the necessary caution, may damage the product and/or cause serious personal injury.

4.2.4 Connecting the Fan Inlet to a Duct

We advise the use of a soft connection for the inlet of a fan to reduce the noise and the vibrations of the fan.

To connect the inlet of the fan to a duct (see Fig. 4.2):

- Attach the soft connection to the inlet of the fan.
- Tighten the hose clamp (B).
- Attach the soft connection to the duct.
- Tighten the hose clamp (C).
- Maintain a maximum gap of 3/4" between the duct and fan inlet.

4.2.5 Connecting the Fan Outlet to a Duct

We advise the use of a soft connection for the outlet to reduce the noise and the vibrations of the fan and to avoid damage to the duct. In addition, we advise the use of a square to round outlet transition for connection to round duct. Do not reduce ductwork diameter. Outlet duct diameter should be no smaller than the factory supplied square to round transition diameter.

To connect the outlet of the fan to a duct (see Fig. 4.2):

- Loosen the bolts of the outlet grid (A).
- Remove the grid.
- Attach the outlet transition on the fan with the bolts (D) of the grid and apply gasket or sealer.
- Tighten the bolts of the transition.
- Attach the soft connection to the transition.
- Tighten the hose clamp (E).
- Attach the soft connection to the duct.
- Tighten the hose clamp (F).

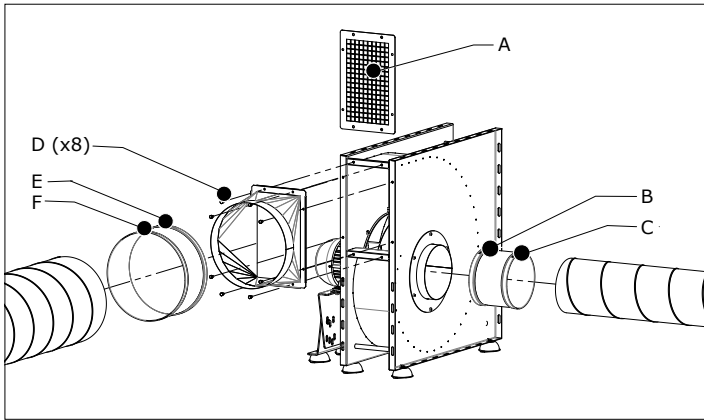


Fig. 4.2 Connecting the fan to a duct



WARNING!

Make sure that the fan is suitable for connection to the building power supply. Information about the connection voltage and frequency can be found on the identification plate. The cables must be connected in conformance with NEC, local codes, laws, and regulations. This should only be carried out by licensed electricians.

The proper motor wiring connections (shown on the motor nameplate) should be verified and configured for the supply voltage provided.

To connect the starting device, proceed as follows:

- Connect the fan to the chosen starting device according to the information on the identification plate on the motor.
- Connect the starting device to the building power supply according to the wiring diagram supplied with the control box.
- Check the direction of rotation of the motor. For this purpose the fan contains an arrow indicating the prescribed direction of rotation. The rotation is visible through the cooling fan shroud.
- If necessary, for reversing the direction of rotation, see nameplate located on the fan motor.

5 MAINTENANCE

The fan requires no specific maintenance.



ATTENTION!

Ensure that the ductwork is properly supported. The ductwork should not be supported by either the inlet, outlet or soft connection.

4.3 Electric Connection



ATTENTION!

Electric connection is to be executed in accordance with NEC/local requirements. Ensure compliance with the EMC regulatory arrangements.

Table I Spare Parts

	Fan Article	Fan Motor (A)	Impeller (B)	Inlet (C)	Outlet Transition (D)	Conversion Kit* (E)
2 HP TEV-359 Fan						
208-230/460V/1 ph/60 Hz	0000102927	0000102696	0000102817	0000104635	0000100339	0000103279
208-230/460V/3 ph/60 Hz	0000102928	0000102697	0000102817	0000104635	0000100339	0000103280
575V/3 ph/60 Hz	0000102929	0000102698	0000102817	0000104635	0000100339	0000103281
3 HP TEV-3110 Fan						
208-230/460V/1 ph/60 Hz	0000102930	0000102699	0000102818	0000104636	0000100339	0000103282
208-230/ 460V/3 ph/60 Hz	0000102931	0000102700	0000102818	0000104636	0000100339	0000103283
575V/3 ph/60 Hz	0000102932	0000102701	0000102818	0000104636	0000100339	0000103284
5 HP TEV-559 Fan						
208-230/460V/1 ph/60 Hz	0000102933	0000102702	0000102335	0000104637	0000100340	0000103285
208-230/ 460V/3 ph/60 Hz	0000102934	0000102703	0000102335	0000104637	0000100340	0000103286
575V/3 ph/60 Hz	0000102935	0000102704	0000102335	0000104637	0000100340	0000103287
7.5 HP TEV-585 Fan						
208-230/460V/1 ph/60 Hz	0000102936	0000102705	0000102992	0000104638	0000100340	0000103288
208-230/ 460V/3 ph/60 Hz	0000102937	0000102706	0000102992	0000104638	0000100340	0000103289
575V/3 ph/60 Hz	0000102938	0000102707	0000102992	0000104638	0000100340	0000103290
10 HP TEV-745 Fan						
208-230/460V/1 ph/60 Hz	0000102939	0000102708	0000102337	0000104639	0000100341	0000103291
208-230/ 460V/3 ph/60 Hz	0000102940	0000102709	0000102337	0000104639	0000100341	0000103292
575V/3 ph/60 Hz	0000102941	0000102710	0000102337	0000104639	0000100341	0000103293
15 HP TEV-768 Fan						
208-230/ 460V/3 ph/60 Hz	0000102942	0000102711	0000102993	0000104640	0000100341	0000103294
575V/3 ph/60 Hz	0000102943	0000102712	0000102993	0000104640	0000100341	0000103295
Notes:						
*Conversion Kit is used to bring any fan built with a IEC (Metric) motor (pre-4/15/2015) to current 2015 and beyond standards utilizing a NEMA motor. This kit includes the motor, motor plate, impeller hub (Hub only) and necessary hardware.						

This list is subject to change without notice. Please refer to your local dealer/representative for most up to date documentation.

Table II

Sub table A: Sound power levels (L_w) in dB

Sound power is a measure of sound energy per time unit. For a sound source, unlike sound pressure, sound power is neither room dependent nor distance dependent. Sound power is a theoretical value that is not measurable. It is calculated and expressed in watts and as sound power level L_w in decibels.

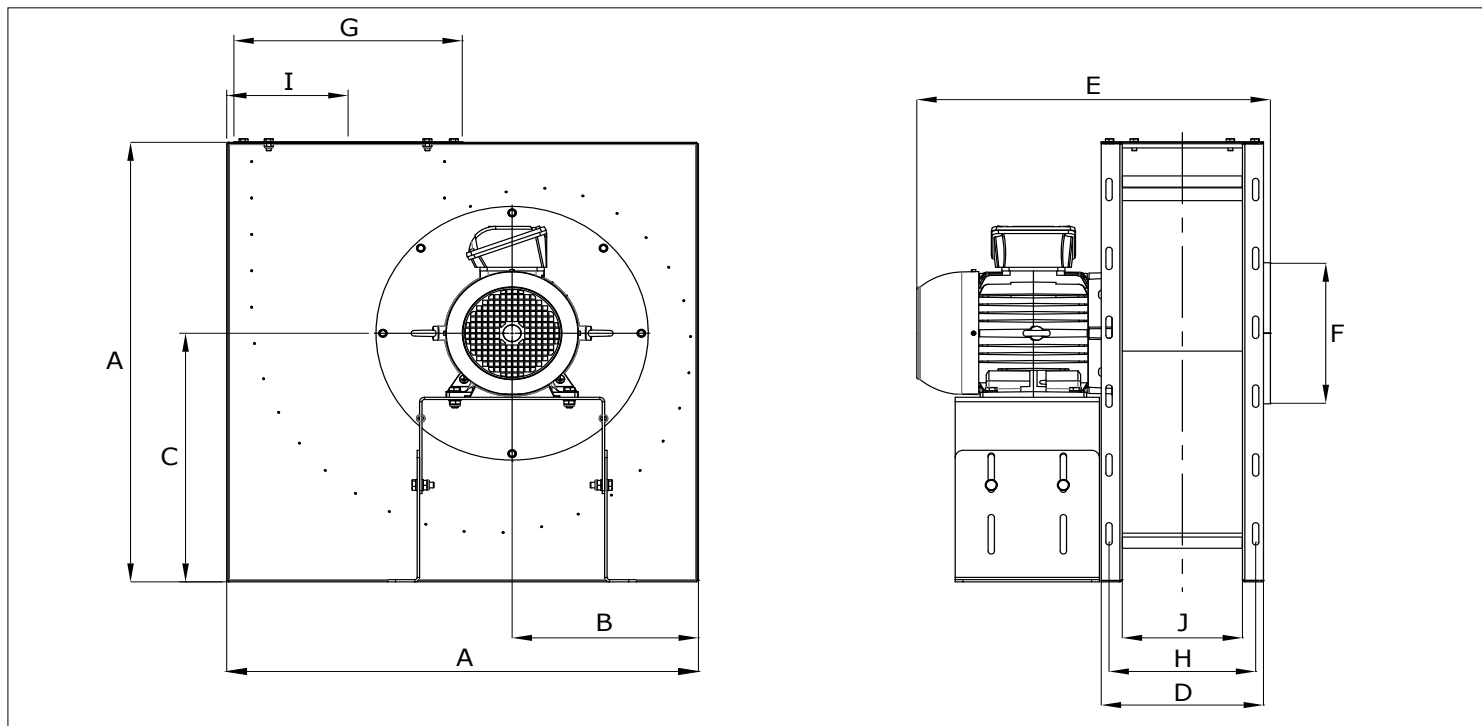
The table below shows the sound power levels in dB calculated according to AMCA Standard 301.

	Static pressure (in. WG)	Airflow (CFM)	Octave band number & center frequency number (Hz)								
			1	2	3	4	5	6	7	8	9
			63	125	250	500	1000	2000	4000	8000	LwA
TEV-359	0	2225	97	99	97	94	87	84	80	75	95
	1	2060	97	98	96	93	85	83	79	73	94
	2	1900	97	98	95	92	85	81	78	73	93
	3	1650	97	98	96	91	84	80	76	72	93
	4	1400	97	98	96	88	81	78	74	70	91
TEV-3110	0	2700	99	103	99	97	91	86	83	78	98
	1	2550	100	103	99	96	90	85	82	77	97
	2	2300	100	104	99	96	89	85	81	76	97
	3	2050	100	104	99	96	89	84	79	74	97
	4	1850	101	105	99	96	89	83	79	74	97
TEV-559	0	3950	105	104	99	96	92	92	88	83	99
	1	3800	106	105	101	97	92	91	87	81	100
	2	3550	107	106	102	98	93	90	86	80	100
	3	3300	107	106	102	97	92	89	85	79	100
	4	3050	107	106	101	97	91	89	84	78	99
	5	2800	106	106	101	96	91	88	83	78	99
TEV-585	0	4750	104	107	109	106	97	93	89	84	106
	1	4550	104	107	109	105	97	92	88	83	106
	2	4350	104	107	108	105	96	92	87	82	105
	3	4100	104	107	107	104	96	91	87	81	105
	4	3800	104	107	107	104	95	91	86	81	104
	5	3550	103	106	106	103	94	89	85	80	103
TEV-745	0	5900	106	106	104	100	95	94	93	89	103
	2	5650	107	106	103	99	94	93	92	88	102
	4	5280	107	106	103	99	93	92	90	86	101
	6	4800	107	106	102	98	92	90	88	85	100
	8	4300	107	105	101	98	92	90	87	84	100
TEV-768	0	7500	109	109	108	106	101	98	95	96	108
	2	7100	109	109	107	106	101	92	91	95	107
	4	6700	109	109	107	105	100	85	86	94	106
	6	6250	108	109	107	105	100	89	88	92	106
	8	5500	107	109	108	105	100	95	90	90	106

Performance shown is for installation type D: Ducted inlet, Ducted outlet. The sound power level ratings shown are in decibels, referred to 10-12 watts calculated per AMCA standard 301. Values are shown for inlet LwA sound power levels for installation Type D: ducted inlet, ducted outlet. Ratings include the effects of duct end correction.

Note: dB(A) levels are not certified by AMCA International.

Fig. I Fan Dimensions



	TEV-359 TEV-3110		TEV-559 TEV-585		TEV-745 TEV-768		
	inch	mm	inch	mm	inch	mm	
A	25.2	640	30.9	785	38.6	980	
B	10.5	267	12.2	310	15.8	402	
C	14.0	355	17.5	444	23.7	603	
D	9.1	230	10.6	270	11.4	290	
E	1 Ph motor 3 Ph motor	20.6 19.4	524 494	24.3 23.1	617 588	27.0 27.1	686 688
F	Ø 7.9	Ø 200	Ø 9.8	Ø 250	Ø 12.4	Ø 315	
G	12.3	312	15.0	380	18.1	460	
H	8.0	204	9.6	244	10.4	264	
I	6.4	163	8.0	202	9.5	242	
J	6.3	160	7.9	200	8.7	220	
Weight	80 lbs (36 kg)	85 lbs (39 kg)	175 lbs (79 kg)	185 lbs (84 kg)	290 lbs (132 kg)	320 lbs (145 kg)	

Fig. II Example of Positions

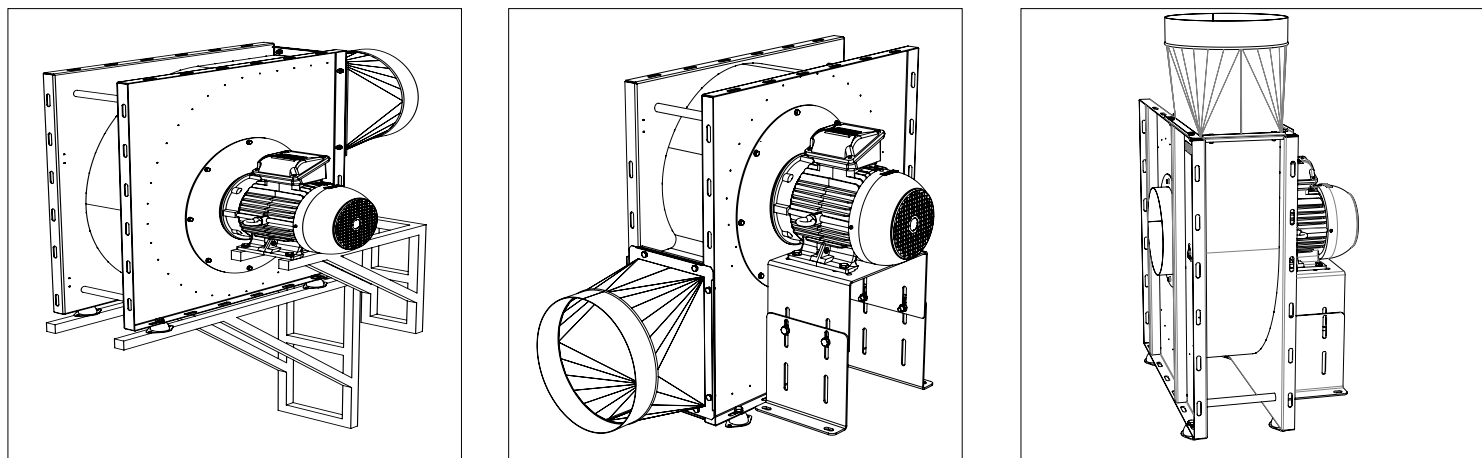
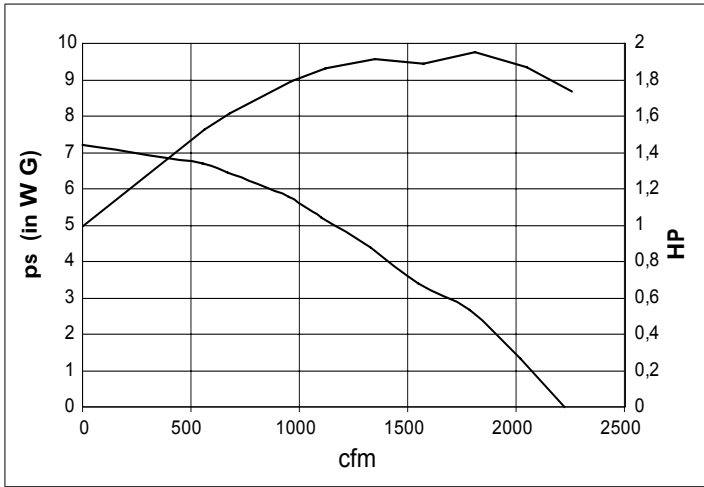
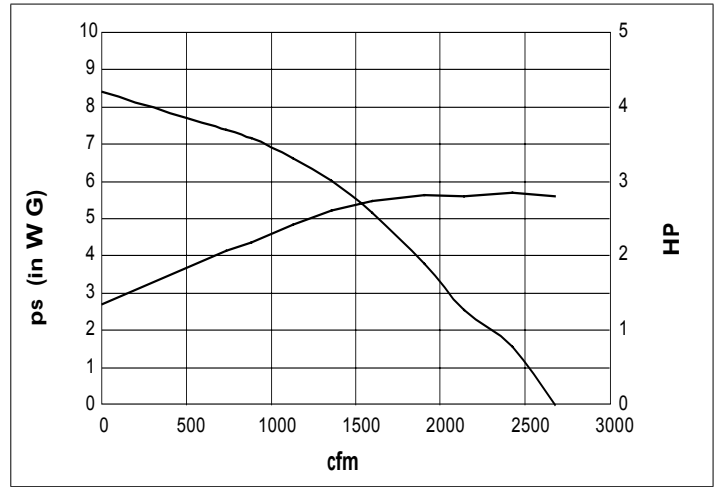


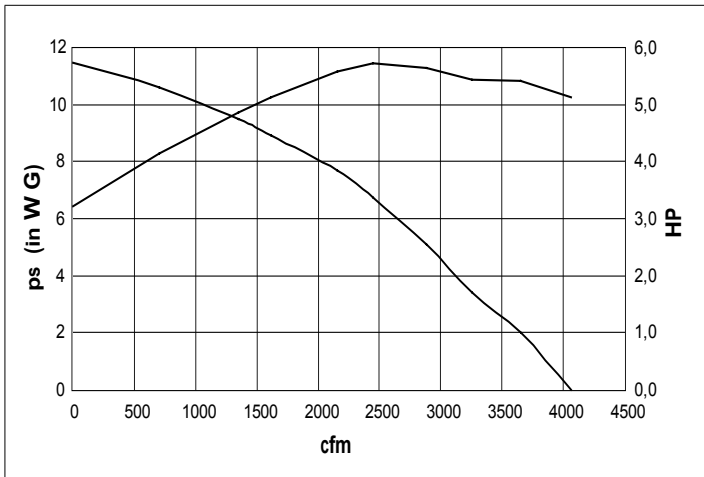
Fig. III Pressure Drop



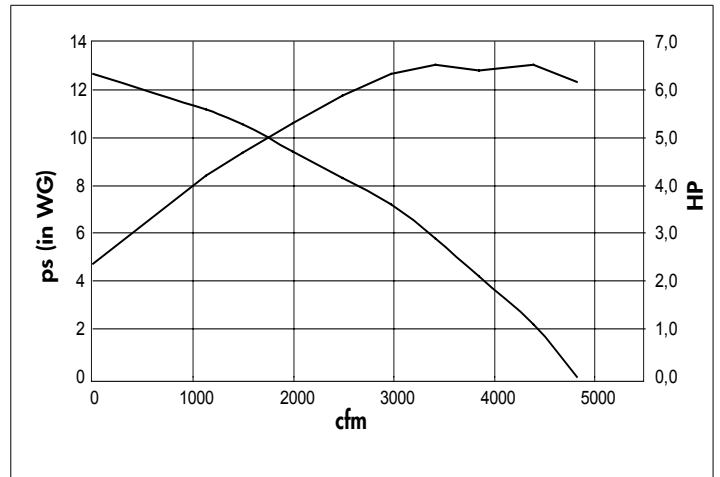
TEV-359



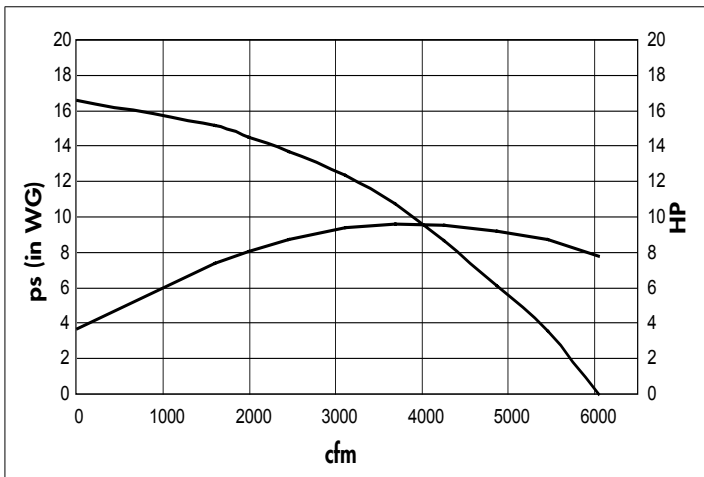
TEV-3110



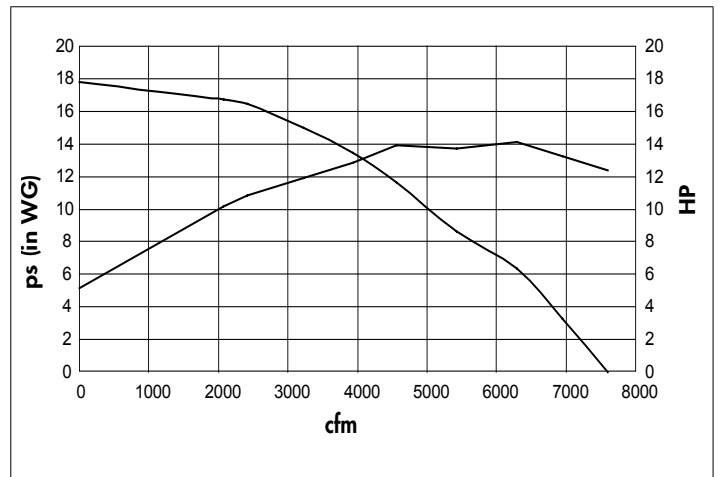
TEV-559



TEV-585



TEV-745



TEV-768

Static pressure/airforce testing was performed at 70°F (21°C) at sea level.
In accordance with AMCA.

Notes

