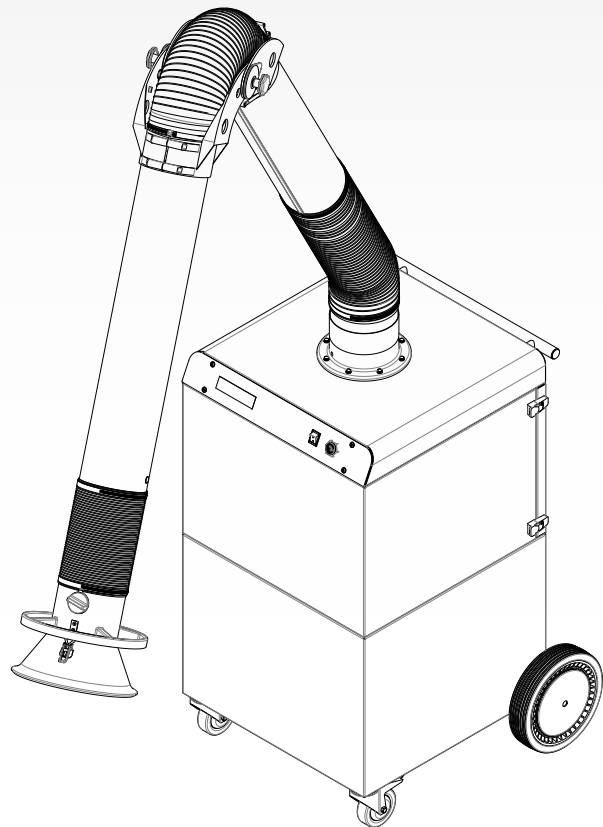


- EN** Mobile welding fume extractor with flexible arm
- FR** Epurateur mobile des fumées de soudure avec bras flexible
- ES** Aspirador móvil de humos de soldadura con brazo flexible

**MOBILEGO<sup>PLUS</sup>**

**60Hz**



- EN** Installation and user manual
- FR** Manuel d'installation et d'utilisation
- ES** Manual de instalación y de uso

---

---

#### **EN – ORIGINAL INSTRUCTION**

All rights reserved. The information given in this document has been collected for the general convenience of our clients. It has been based on general data pertaining to construction material properties and working methods known to us at the time of issue of the document and is therefore subject at any time to change or amendment and the right to change or amend is hereby expressly reserved. The instructions in this publication only serve as a guideline for installation, use, maintenance and repair of the product mentioned on the cover page of this document. This publication is to be used for the standard model of the product of the type given on the cover page. Thus the manufacturer cannot be held responsible for any damage resulting from the application of this publication to the version actually delivered to you. This publication has been written with great care. However, the manufacturer cannot be held responsible, either for any errors occurring in this publication or for their consequences.

*To improve comprehension for people whose first language is not English, we have written parts of this manual in Simplified Technical English (STE). STE is a controlled language originally developed for aerospace industry maintenance manuals. It offers a carefully limited and standardized subset of English, along with specific writing rules.*

#### **FR – TRADUCCION DE LA NOTICE ORIGINALE**

Tous droits réservés. Le présent manuel a été mis au point à partir de données relatives à la construction, aux caractéristiques des matériaux et aux méthodes de production dont nous étions au courant à la parution du manuel. Le manuel est donc sujet à modification à tout moment et nous nous réservons explicitement le droit à une telle modification. Pour la même raison, ce manuel servira simplement de guide à l'installation, l'emploi, l'entretien et la réparation du produit figurant en première page de couverture de ce document. Le présent manuel s'applique au modèle standard du produit. Par conséquent, le fabricant n'est pas responsable pour les dommages éventuels découlant de l'application de ce document aux modèles non standard des produits livrés. Nous avons apporté tous nos soins à la rédaction de ce manuel, mais le fabricant ne peut pas accepter la responsabilité pour les erreurs éventuelles ni pour les dommages qui en découlent.

#### **ES – TRADUCCIÓN DEL MANUAL ORIGINAL**

Todos los derechos reservados. La información proporcionada en este documento se ha recopilado para el interés general de nuestros clientes. Se ha basado en datos generales referentes a las propiedades del material de construcción y los métodos de trabajo que conocemos en el momento de la publicación del documento y, por consiguiente, están sujetos en cualquier momento a cambios o correcciones, por lo que por la presente nos reservamos el derecho a hacer cambios o correcciones. Las instrucciones de esta publicación sólo sirven como pauta para la instalación, uso, mantenimiento y reparación del producto mencionado en la portada de este documento. Esta publicación se deberá usar para el modelo estándar del producto de la clase indicada en la portada. Por tanto, no se podrá responsabilizar al fabricante de ningún daño derivado de la utilización de esta publicación en la versión que se le ha entregado a Ud. Esta publicación se ha escrito con sumo cuidado. Sin embargo, no se podrá responsabilizar al fabricante ni por los errores que haya en esta publicación ni por sus consecuencias.

**Table of contents**

<b>ENGLISH</b>	<b>Page</b>
Preface	3
1. Introduction	3
2. Product description	4
3. Safety instructions	4
4. Installation	5
5. Use	6
6. Maintenance	7
7. Troubleshooting	8
8. Electrical diagram	8
9. Disposal	9

Spare parts	26
-------------	----

**Table des matières**

<b>FRANÇAIS</b>	<b>Page</b>
Avant-propos	10
1. Introduction	10
2. Description de produit	11
3. Instructions de sécurité	11
4. Installation	12
5. Utilisation	13
6. Entretien	14
7. Réparation des pannes	15
8. Schéma électrique	16
9. Mettre au rebut	16

Pièces détachées	26
------------------	----

**Indice**

<b>ESPAÑOL</b>	<b>Pág.</b>
Preámbulo	17
1. Introducción	17
2. Product description	18
3. Normativas de seguridad	18
4. Instalación	20
5. Uso	20
6. Mantenimiento	21
7. Subsanación de fallos	22
8. Esquema eléctrico	23
9. Desechar	23

Piezas de recambio	26
--------------------	----










## PREFACE

### Using this manual

This manual is intended to be used as a work of reference for professional, well trained and authorised users to be able to safely install, use, maintain and repair the product mentioned on the cover of this document.

### Pictograms and symbols

The following pictograms and symbols are used in this manual:

	<b>TIP</b> Suggestions and recommendations to simplify carrying out tasks and actions.
	<b>ATTENTION</b> A remark with additional information for the user. A remark brings possible problems to the user's attention.
	<b>CAUTION!</b> Procedures, if not carried out with the necessary caution, could damage the product, the workshop or the environment.
	<b>WARNING!</b> Procedures which, if not carried out with the necessary caution, may damage the product or cause serious personal injury.
	<b>CAUTION!</b> Denotes risk of electric shock.
	<b>WARNING!</b> Fire hazard! Important warning to prevent fire.
	<b>WARNING!</b> Explosion hazard! Important warning to prevent explosions.
	<b>Personal protective equipment (PPE)</b> Instruction to use respiratory protection when you do service, maintenance and repair jobs, as well as during functional testing. We recommend to use a half-face respirator according to EN 149:2001 + A1:2009, classe FFP3 (Directive 89/686/EEC).
	<b>Personal protective equipment (PPE)</b> Instruction to use protective gloves when you do service, maintenance and repair jobs.

### Text indicators

Listings indicated by "-" (hyphen) concern enumerations.  
Listings indicated by "•" (bullet point) describe steps to perform.

### Service and technical support

For information about specific adjustments, maintenance or repair jobs which are not dealt with in this manual, please contact the supplier of the product. He will always be willing to help you. Make sure you have the following specifications at hand:

- product name
- serial number

You can find these data on the identification plate.

## 1 INTRODUCTION

### 1.1 Identification of the product

The identification plate contains, among other things, the following data:

- product name
- serial number

- supply voltage and frequency
- power consumption

### 1.2 General description

The MobileGo<sup>plus</sup> is a mobile filter unit with an integrated fan and an extraction arm. It features a pre filter cassette and a HEPA filter cassette (both disposable). Thanks to the four transport wheels (two of which are swivel casters with brake), the MobileGo<sup>plus</sup> is suitable to be used in relatively small facilities or near sources of pollution without a fixed location.

#### 1.2.1 Intensity of use

The MobileGo<sup>plus</sup> is suitable for occasional<sup>1</sup> to regular<sup>2</sup> welding activities and for TIG welding.

### 1.3 Technical specifications

Physical dimensions and properties	
Material (housing)	electro-zinc coated steel
Weight (excl. arm)	85,5 kg (188.5 lbs)
Filters	
Pre filter cassette:	
- material	polyester
- filter surface	1 m <sup>2</sup> (10.8 ft <sup>2</sup> )
- filter classification	ISO Coarse 70% according to ISO 16890
HEPA filter cassette:	
- material	glass fibre
- filter surface	26 m <sup>2</sup> (280 ft <sup>2</sup> )
- efficiency class	MERV 16 according to ASHRAE 52.2
Washable	no
Extraction arm	
Type	metal tube arm (KUA)
Length	2 or 3 m
Diameter	Ø 160 mm (6.3 in.)
Weight:	
- KUA-2	12 kg (26.5 lbs)
- KUA-3	15,5 kg (34.2 lbs)
-	
Fan	
Fan type	radial
Extraction capacity	max. 1100 m <sup>3</sup> /h (600 CFM)
Fan speed	3400 rpm
Electrical data	
Power consumption	1,1 kW (1.5 HP)
Available connection voltages	- 115V/1ph/60Hz
Motor design	IEC
Energy efficiency	n.a.
Mains cord	5 m
Plug	B (NEMA 5-15P)
Certification	UL (on electrical components only)

#### 1.3.1 Dimensions

Refer to Fig. I on page 24.

#### 1.4 Working range

Refer to Fig. II on page 24.

1. approx. 1 coil of solid wire or 7,5 kg (16.5 lbs) of electrodes per month
2. approx. 2 coils of solid wire or 15 kg (33 lbs) of electrodes per month

## 1.5 Ambient and process conditions

Process temperature:	
- min.	5°C (41°F)
- nom.	20°C (68°F)
- max.	70°C (158°F)
Max. relative humidity	90%
Suitable for outdoor use	no

## 1.6 Transport of the unit

You cannot hold the manufacturer liable for any transportation damage after delivery of the product.

- Handle the filter unit and the accompanying extraction arm with care.
- Completely dismount the extraction arm before transport. Dismount the arm by executing the mounting procedure in reverse order. Subsequently the filter unit and the arm can be transported on a pallet in the original packing.
- To prevent damage, make sure that the filter unit and the arm cannot shift on the pallet.

## 2 PRODUCT DESCRIPTION

### 2.1 Components

The product consists of the following main components and elements:

Fig. 2.1

- A shut-off damper
- B extraction arm
- C control panel
- D pre filter cassette
- E HEPA filter cassette
- F fan + motor

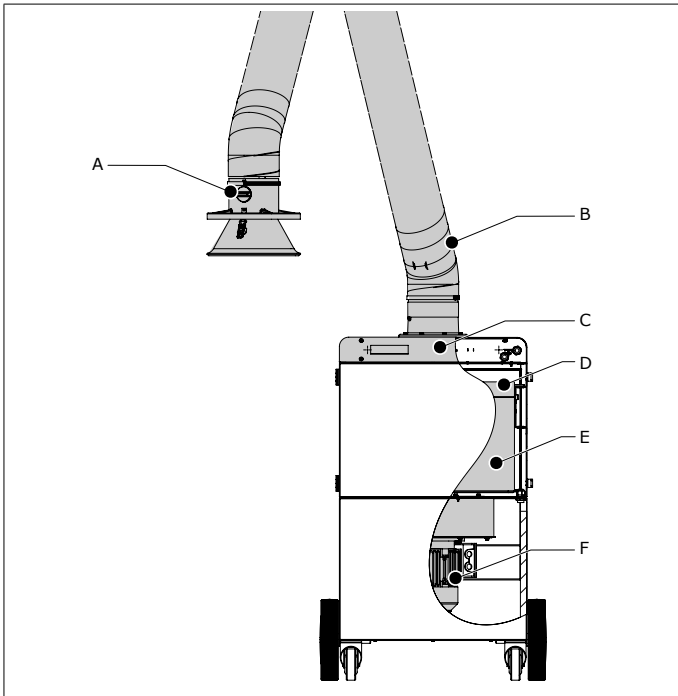


Fig. 2.1 Main components and elements

### 2.2 Operation

The MobileGo<sup>plus</sup> works in accordance with the recirculation principle. Welding fume is extracted through the hood of the connected extraction arm by the built-in fan. The polluted air

passes the pre filter cassette and is cleaned by the HEPA filter cassette.

The cleaned air is returned in the workshop through the outlet grid on the rear of the unit.

#### 2.2.1 Indication of filter replacement

The MobileGo<sup>plus</sup> has a service indicator that monitors the airflow. When the red indicator light (LED) is on, it is necessary to replace the filter(s).

## 3 SAFETY INSTRUCTIONS

### General

The manufacturer does not accept any liability for damage to the product or personal injury caused by ignoring of the safety instructions in this manual, or by negligence during installation, use, maintenance, and repair of the product mentioned on the cover of this document and any corresponding accessories.

Specific working conditions or used accessories may require additional safety instructions. Immediately contact your supplier if you detect a potential danger when using the product.

**The user of the product is always fully responsible for observing the local safety instructions and regulations. Observe all applicable safety instructions and regulations.**

### User manual

- Everyone working on or with the product, must be familiar with the contents of this manual and must strictly observe the instructions therein. The management should instruct the personnel in accordance with the manual and observe all instructions and directions given.
- Do not change the order of the steps to perform.
- Keep the manual with the product.

### Users

- The use of this product is exclusively reserved to authorised, trained and qualified users. Temporary personnel and personnel in training can only use the product under supervision and responsibility of skilled engineers.
- Stay alert and keep your attention to your work. Do not use the product when you are under the influence of drugs, alcohol or medicine.
- The product is not to be used by children or persons with reduced physical, sensory or mental capabilities, or lack of experience and knowledge, unless they have been given supervision or instruction.
- Children must be supervised not to play with the product.

### Intended use<sup>3</sup>

The product has been designed exclusively for extracting and filtering gases and particles which are released during the most common welding processes. Using the product for other purposes is considered contrary to its intended use. The manufacturer accepts no liability for any damage or injury resulting from such use. The product has been built in accordance with state-of-the-art standards and recognised safety regulations. Only use this product when in technically perfect condition in accordance with its intended use and the instructions explained in the user manual.

### Technical specifications

Do not change the specifications given in this manual.

3. "Intended use" as explained in EN-ISO 12100-1 is the use for which the technical product is suited as specified by the manufacturer, inclusive of his directions in the sales brochure. In case of doubt it is the use which can be deduced from the construction, the model and the function of the technical product which is considered normal use. Operating the machine within the limits of its intended use also involves observing the instructions in the user manual.




## Modifications

Modification of (parts of) the product is not allowed.

## Installation

- The installation of this product is exclusively reserved to authorised, trained and qualified engineers.
- The electric connection must be executed in accordance with the local codes and requirements. Ensure compliance with the EMC regulatory arrangements.
- During installation, always use Personal Protective Equipment (PPE) to avoid injury. This also applies to persons who enter the work area during installation.
- Make sure that the workspace is well illuminated.
- Stay alert and keep your attention to your work. Do not install the product when you are under the influence of drugs, alcohol or medicine.
- Air containing particles such as chromium, nickel, beryllium, cadmium, lead etc., should never be recycled. This air must always be brought outside the working area.

## Use





	<p><b>WARNING!</b> Fire hazard! Do <b>not</b> use the product for:</p> <ul style="list-style-type: none"> <li>- polishing applications in combination with grinding, welding or any other application that generate sparks (fibers from polishing or abrasive flap disks are highly flammable and pose a high risk of filter fires when exposed to sparks)</li> <li>- arc-air gouging</li> <li>- extracting and/or filtering flammable, glowing or burning particles or solids or liquids</li> <li>- extracting and/or filtering of aggressive fumes (such as hydrochloric acid) or sharp particles</li> <li>- extracting and/or filtering dust particles which are released when welding surfaces treated with primer</li> <li>- sucking cigarettes, cigars, oiled tissues, and other burning particles, objects, and acids</li> </ul>
	<p><b>WARNING!</b> Explosion hazard! Do <b>not</b> use the product for explosion-hazardous applications, e.g.:</p> <ul style="list-style-type: none"> <li>- aluminium laser cutting</li> <li>- grinding aluminium and magnesium</li> <li>- explosive environments or explosive substances/gases</li> </ul>
	<p><b>WARNING!</b> Do <b>not</b> use the product for:</p> <ul style="list-style-type: none"> <li>- extraction of hot gases (more than 70°C/158°F continuously)</li> <li>- flame spraying</li> <li>- oil mist</li> <li>- heavy oil mist in welding fume</li> <li>- extraction of cement, saw dust, wood dust etc.</li> </ul>

- Inspect the product and check it for damage. Verify the functioning of the safety features.
- Do not put the product in front of entrances and exits which must be used for emergency services.
- During use, always use Personal Protective Equipment (PPE) to avoid injury. This also applies for persons who enter the work area.
- Check the working environment. Do not allow unauthorised persons to enter the working environment.
- Protect the product against water and humidity.
- Make sure the room is always sufficiently ventilated; this applies especially to confined spaces.
- Make sure that the workshop, in the vicinity of the product, contains sufficient approved fire extinguishers (suitable for fire classes ABC).
- Do not leave any tools or other objects in or on the unit.
- The welding current return circuit between the workpiece and the welding machine has a low resistance. Thus avoid connection between the workpiece and the MobileGo<sup>plus</sup>, so

that there is no possibility of the welding current flowing back to the welding machine via the protective earth conductor of the MobileGo<sup>plus</sup>.

## Service, maintenance and repairs

- Obey the maintenance intervals given in this manual. Overdue maintenance can lead to high costs for repair and revisions and can render the guarantee null and void.
- Always use Personal Protective Equipment (PPE) to avoid injury. This also applies for persons who enter the work area.
- Make sure the room is sufficiently ventilated.
- Use tools, materials, lubricants and service techniques which have been approved by the manufacturer. Never use worn tools and do not leave any tools in or on the product.
- Clean the area afterwards.

	<p><b>ATTENTION</b> Service, maintenance and repairs must be performed by authorised, qualified and trained persons (skilled) using appropriate work practices.</p>
	<p><b>ATTENTION</b> Before you carry out service, maintenance and/or repair jobs: - fully disconnect the unit from the mains</p>
	<p><b>Personal protective equipment (PPE)</b> Wear respiratory protection and protective gloves during service, maintenance and repairs.</p>
	<p><b>WARNING</b> The industrial vacuum cleaner that you use during service and maintenance must meet HEPA class (efficiency ≥99.97% at 0.3 µm).</p>

## 4 INSTALLATION

### 4.1 Tools and requirements

You need the following tools and requirements to install the unit:

- basic tools

### 4.2 Unpacking

Make sure that the product is complete. The package contains:

#### Filter unit

- mobile filter unit
- washer M6 (8)
- bolt M6x25 (8)

#### Extraction arm

- extraction arm (pre-assembled)
- rotating flange
- arm swivel ring, incl. rubber collar
- extraction hood
- hood collar with safety mesh
- washer M20

### 4.3 Arm on mobile unit

To install the extraction arm, do the following.


	<p><b>TIP</b> Do a balance check of the arm before you fasten the hoses. Refer to section 6.3.</p>
---	--

Fig. 4.1

- Install the rotating flange (C) on the filter unit with the 8 bolts M6x25 (A) + washers M6 (B).

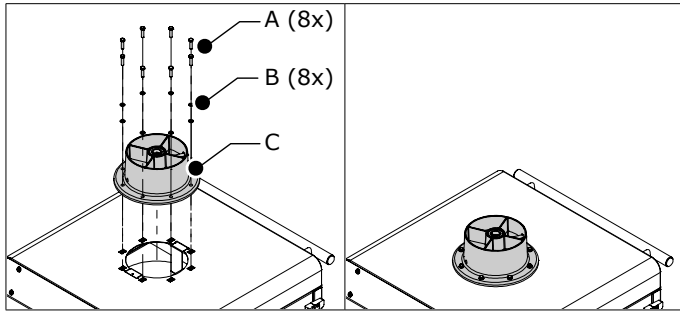


Fig. 4.1 Rotating flange

Fig. 4.2

- In case of a hose tube arm: put the hose tube over the internal rods of the arm.
- Move the hose clamp (C) and the arm swivel ring (incl. rubber collar) (D) over the hinge rod (B).
- Put the washer M20 (E) on the rotating flange (F).
- Put the hinge rod (B) in the rotating flange (F).
- Put the hose (A) over the arm swivel ring (D).
- Use the rubber collar to make the connection airtight.
- Attach the hose (A) to the swivel ring (D) with the hose clamp (C).

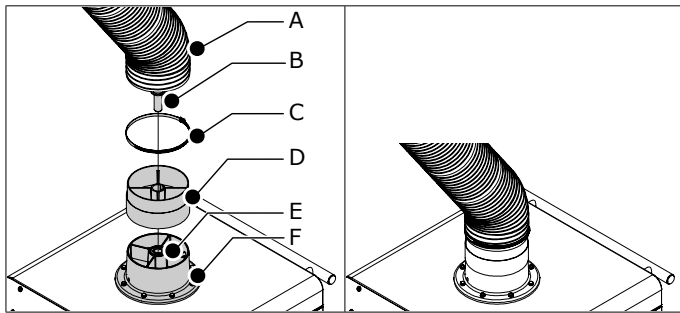
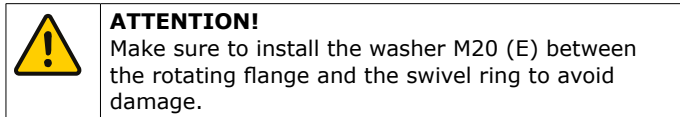


Fig. 4.2 Arm on mobile unit

#### 4.4 Mounting of the hood

To install the extraction hood, do the following.

Fig. 4.3

- Loosen the mounting material that is attached to the hood hinge.
- Install the extraction hood (G) with the bolt (F), 2 washers (E), 2 spring washers (D) and a locknut (C).
- Install the hood collar (H) to the hood (G). Fasten it with the clip.
- Install the hose tube (A) to the hood.
- Fasten the hose tube with a hose clamp (B).

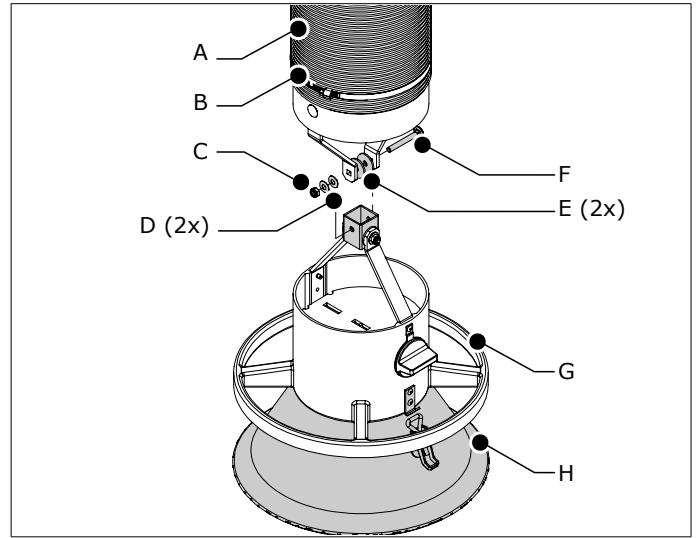


Fig. 4.3 Hood mounting

## 5 USE



### WARNING!

Fire hazard! Do **not** use the product for polishing applications in combination with grinding, welding or any other application that generate sparks.  
**Refer to chapter 3 / Safety instructions / Use.**

#### 5.1 Control panel

The unit contains the following controls and indicators:

Fig. 5.1

- A Tumbler switch 0-1
- B Service indicator (red LED)

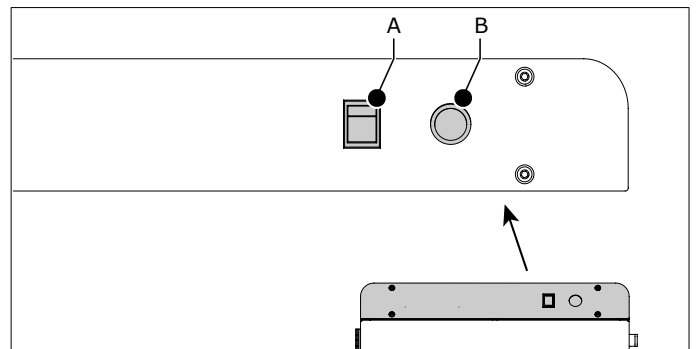



Fig. 5.1 Controls and indicators

#### 5.2 Use


Since it concerns a mobile unit, you can use it at any desirable place. For optimal results you must place the unit as close as possible to the source of pollution.

- Position the hood of the connected extraction arm at 400-800 mm (16-32 in.) from the source of pollution. Refer to Fig. III on page 24 for the correct position.
- Make sure that the shut-off damper (ref. Fig. 2.1A) is open.
- Put the unit on (ref. Fig. 5.1A).
- Start welding.
- When the welding position changes, move the hood to the correct position in relation to the weld.

	<b>WARNING</b>
	To keep the welding fume away from the breathing zone of the welder, make sure that all fume is extracted through the hood.

- Put the unit off approx. 20 seconds after you have finished welding.


When the airflow is too low during use, the service indicator (ref. Fig. 5.1B) is on. Refer to chapter 7 to find the possible cause and the solution.

	<b>ATTENTION</b>
	If you do not replace the pre filter cassette and/or the HEPA filter cassette in time, the airflow (extraction capacity) further drops.

## 6 MAINTENANCE

### 6.1 Periodic maintenance

The product has been designed to function without problems for a long time with a minimum of maintenance. In order to guarantee this some simple, regular maintenance and cleaning activities are required which are described in this chapter. If you observe the necessary caution and carry out the maintenance at regular intervals, any problems occurring will be detected and corrected before they lead to a total breakdown.

	<b>WARNING</b>
	Overdue maintenance can cause fire.


The indicated maintenance intervals can vary depending on the specific working and ambient conditions. Therefore we recommend to thoroughly inspect the complete product once every year beside the indicated periodic maintenance. For this purpose contact your supplier.

Component	Action	Frequency: every X months	
		X=6	X=12
<b>Filter unit</b>			
Housing	Clean the outside with a non-aggressive detergent		X
	Clean the inside with an industrial vacuum cleaner and remove dust from the filter compartment		X
	Check sealing material of the door. Replace if necessary		X
Extraction fan	Check for encrusted particles. Clean if necessary		X
Mains cord	Check for damage. Repair or replace if necessary	X *)	
<b>Extraction arm</b>			
Tubes	Clean the outside with a non-aggressive detergent	X	
	Clean the inside thoroughly	X	
Flexible hoses	Check for cracks or damages. Replace if necessary	X	
Hood	Check the movement of the hood. If necessary, adjust the friction; refer to section 6.3	X	
Arm movement	Check horizontal, vertical and diagonal arm movement. If necessary, adjust the friction; refer to section 6.3	X	

Component	Action	Frequency: every X months	
		X=6	X=12
*) Before every use			





### 6.2 Filter replacement

The service indicator (red LED) is on when the airflow is too low.

	Make sure that:
	- the shut-off damper is open - the extraction arm is not fully folded

When the service indicator stays on, you must replace the filter cassette(s).

As the pre filter is smaller and becomes more quickly saturated than the HEPA filter, you can replace the pre filter cassette several times before you finally need to replace the HEPA filter cassette.

		<b>Personal protective equipment (PPE)</b> Wear respiratory protection and protective gloves when you replace the filter cassettes.
	<b>WARNING</b>	Do <b>not</b> replace the filter cassettes while the fan is running.
	<b>WARNING</b>	Do <b>not</b> shake out or (vacuum) clean the used filter cassettes to avoid the release of particles.

#### 6.2.1 Pre filter cassette

To replace the pre filter cassette, do the following.

Fig. 6.1

- De-energize the unit.
- Open the back door (B).
- Remove the pre filter cassette (A).
- Dispose of the used filter cassette in accordance with state or local regulations.
- Put a new pre filter cassette in the unit. Make sure that the arrow on the frame points downwards<sup>4</sup>.
- Close and lock the door.

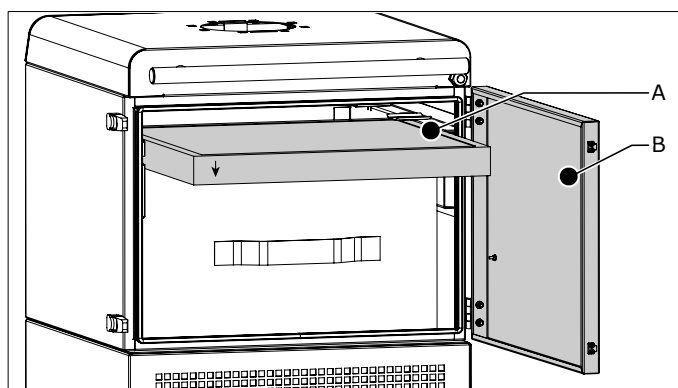



Fig. 6.1 Replacement of the pre filter cassette

	When the service indicator stays on after you have replaced the pre filter cassette, it is time to replace the HEPA filter cassette.
---	--

4. The arrow indicates the airflow direction



## 6.2.2 HEPA filter cassette

To replace the HEPA filter cassette, do the following.

Fig. 6.2

- De-energize the unit.
- Open the back door (C).
- Remove the pre filter cassette.
- Slightly lift and remove the HEPA filter cassette (D).
- Dispose of the used HEPA filter cassette in accordance with state or local regulations.
- Put a new HEPA filter cassette in the unit. The side pins (A) exactly fit in the slits (B).
- Put the pre filter cassette back in the unit. Make sure that the arrow on the frame points downwards<sup>5</sup>.
- Close and lock the door.

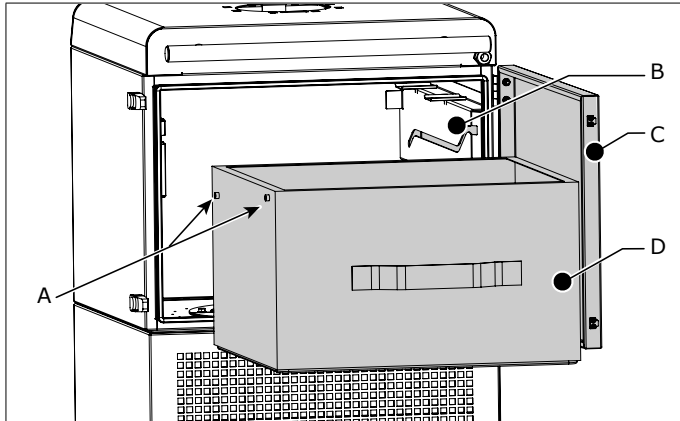


Fig. 6.2 Replacement of the HEPA filter cassette

## 6.3 Arm adjustment

If the extraction arm, or a part of it, does not stay in the desired position, you must adjust the friction.

- Determine which joint needs more or less friction.
- Loosen the hose at that position to get access to the hinge.
- Pull the arm in a horizontal position.
- Adjust the friction; refer to Fig. V on page 25 for the adjustment points.

## 7 TROUBLESHOOTING

If the unit does not function (correctly), consult the checklist below to see if you can remedy the error yourself. Should this not be possible, contact your supplier.



### WARNING

Obey the safety regulations that are written in chapter 3 when you carry out the activities below.

Symptom	Problem	Possible cause	Solution
The fan does not start	The unit does not function	No mains voltage	Connect the mains voltage
		Thermal overload protection is activated	- Examine the fan and motor to find the cause and remedy the problem - Push the red button behind the front panel to reset. Refer to Fig. IV on page 24.
		The mains cord is defective	Repair or replace the mains cord
		Loose contacts	Repair the contacts
The green LED is on but the fan does not run	The unit does not function	Motor defective	Repair or replace the motor
		Relay is defective	Replace the relay
		Thermal relay is defective	Replace the thermal relay
Poor extraction capacity	The unit does not function properly	Motor defective	Repair or replace the motor
		The shut-off damper in the hood of the extraction arm is (partly) closed	(Fully) open the shut-off damper
		Clogged filters & loose connection of pressure sensor	Repair the connection of the pressure tubes
The service indicator (red LED) is on	Poor extraction capacity	Clogged filters & defective pressure sensor	Replace the pressure sensor & the pre filter cassette
		The HEPA filter is clogged	Replace the HEPA filter cassette as well
The extraction arm does not stay in the desired position	Escape of fume; no proper extraction	Friction setting is not correct	Replace the pre filter cassette
			Adjust the friction; refer to Fig. V on page 25 for the adjustment points
You cannot get the arm in the desired position			

## 8 ELECTRICAL DIAGRAM

Refer to the separately supplied electrical diagram.

5. The arrow indicates the airflow direction. An incorrectly placed pre filter cassette affects the filter lifetime.

---

---

## 9 DISPOSAL

Dismantling and disposal of the unit must be done by qualified persons.



### Personal protective equipment (PPE)

Wear respiratory protection and protective gloves when you dismantle and dispose of the unit.

### 9.1 Dismantling

To safely dismantle the unit, obey the safety instructions that follow.

Before dismantling of the unit:

- disconnect it from the mains
- clean the outside

During dismantling of the unit:

- make sure that the area is sufficiently ventilated, e.g. by a mobile ventilation unit

After dismantling of the unit:

- clean the dismantling area

### 9.2 Disposal

Dispose of the pollutants and dust, together with the used filters, in a professional manner in accordance with federal, state or local regulations.

## AVANT-PROPOS

### Utilisation du manuel

This manual is intended to be used as a work of reference for professional, well trained and authorised users to be able to safely install, use, maintain and repair the product mentioned on the cover of this document.

### Pictogrammes et symboles

Dans ce manuel, il est fait usage des pictogrammes et symboles suivants :

	<b>CONSEIL</b> Suggestions et conseils en vue de faciliter l'exécution des divers travaux ou manipulations.
	<b>ATTENTION</b> Remarque avec complément d'information pour l'utilisateur. Remarque attirant l'attention de l'utilisateur sur d'éventuels problèmes.
	<b>AVERTISSEMENT</b> Procédures qui, à défaut d'être exécutées avec les précautions nécessaires, peuvent occasionner l'endommagement du produit, de l'atelier ou de l'environnement.
	<b>MISE EN GARDE</b> Procédures qui, à défaut d'être exécutées avec les précautions nécessaires, peuvent occasionner un endommagement sévère du produit ou une lésion corporelle.
	<b>AVERTISSEMENT</b> Risque de tension électrique.
	<b>MISE EN GARDE</b> Risque de feu! Avertissement important pour la prévention des incendies.
	<b>MISE EN GARDE</b> Risque d'explosion! Avertissement important pour la prévention des explosions.
	<b>Equipement de protection individuelle (EPI)</b> Instructions d'emploi d'une protection respiratoire lorsque vous effectuez des travaux de service, d'entretien et de réparation, ainsi que lors de la réalisation de tests fonctionnels. Nous vous recommandons d'utiliser un demi-masque conformément à la norme EN 149:2001 + A1:2009, classe FFP3 (Directive 89/686/EEC).
	<b>Equipement de protection individuelle (EPI)</b> Instructions d'emploi de gants de protection lorsque vous effectuez des travaux de service, d'entretien et de réparation.

### Indicateurs de texte

Les listes désignées par « - » (trait d'union) concernent les énumérations.

Les listes désignées par « • » (puce) concernent les étapes à suivre.

### Service et assistance technique

Pour toute information concernant des réglages spécifiques, des travaux d'entretien et de réparation qui sortent du cadre de ce manuel, veuillez prendre contact avec le fournisseur du produit. Ce fournisseur est toujours disposé à vous aider.

Assurez-vous que vous disposez des données suivantes :

- nom du produit
- numéro de série

Vous trouverez ces données sur la plaque d'identification.

## 1 INTRODUCTION

### 1.1 Identification du produit

La plaque d'identification comporte les données suivantes :

- nom du produit
- numéro de série
- tension d'alimentation et fréquence
- puissance

### 1.2 Description générale

Le MobileGo<sup>plus</sup> est une unité de filtration mobile avec un ventilateur intégré et un bras d'aspiration. Il comprend un préfiltre à cassette et une cassette filtrante HEPA (tous deux jetables). Grâce aux quatre roues de transport (dont deux sont des roues pivotantes à frein), le MobileGo<sup>plus</sup> se prête parfaitement aux installations relativement petites ou à proximité de sources de pollution sans emplacement fixe.

#### 1.2.1 Intensité d'utilisation

Le MobileGo<sup>plus</sup> est adapté aux activités de soudage occasionnelles<sup>1</sup> ou régulières<sup>2</sup> et au soudage TIG.

### 1.3 Spécifications techniques

Dimensions et caractéristiques	
Matériau (boîtier)	acier électro-zingué
Poids (net), sans bras	85,5 kg (188.5 lb)
Filtres	
Préfiltre à cassette :	
- matériau	polyester
- surface filtrante	1 m <sup>2</sup> (10.8 p <sup>2</sup> )
- classification du filtre	ISO Coarse 70% selon ISO 16890
Cassette filtrante HEPA :	
- matériau	fibre de verre
- surface filtrante	26 m <sup>2</sup> (280 p <sup>2</sup> )
- classe d'efficacité	MERV 16 selon ASHRAE 52.2
Lavable	non
Bras d'aspiration	
Type	bras métallique (KUA)
Longueur	2 ou 3 m
Diamètre	Ø 160 mm (6.3 po.)
Poids :	
- KUA-2	12 kg (26.5 lb)
- KUA-3	15,5 kg (34.2 lb)
-	
Ventilateur	
Type de ventilateur	radial
Capacité d'aspiration	max. 1100 m <sup>3</sup> /h (600 CFM)
Vitesse de ventilateur	3400 tr/min
Données électriques	
Puissance absorbée	1,1 kW (1.5 HP)
Tensions d'alimentation disponibles	- 115V/1ph/60Hz
Conception de moteur	IEC
Classe d'efficacité énergétique	s-o
Câble d'alimentation	5 m
Fiche	B (NEMA 5-15P)
Certification	UL (uniquement pour les composantes électriques)

#### 1.3.1 Dimensions

Voir Fig. I à la page 24.

1. env. 1 bobine de fil massif ou 7,5 kg (16,5 livres) d'électrodes par mois
2. env. 2 bobines de fil massif ou 15 kg (33 livres) d'électrodes par mois

## 1.4 Working range

Voir Fig. II à la page 24.

## 1.5 Conditions ambiantes et de processus

Température de processus :	
- min.	5°C (41°F)
- nom.	20°C (68°F)
- max.	70°C (158°F)
Humidité relative max.	90%
SApte à l'usage extérieure	non

## 1.6 Transport de la machine

Le fabricant ne peut être tenu pour responsable des dommages de transport après livraison du produit.

- Manipulez toujours avec précaution l'unité de filtration et le bras d'aspiration l'accompagnant.
- Démontez complètement le bras d'aspiration avant transport. Démontez le bras en exécutant la procédure de montage à l'envers. Ensuite, l'unité de filtration et le bras peuvent être transportés sur une palette dans l'emballage d'origine.
- Afin d'éviter tout dommage, attention que l'unité de filtration et le bras ne bougent pas sur la palette.

## 2 DESCRIPTION DE PRODUIT

### 2.1 Composants

Le produit se compose des composants et éléments principaux suivants :

Fig. 2.1

- A obturateur
- B bras d'aspiration
- C tableau de commande
- D préfiltre à cassette
- E cassette filtrante HEPA
- F ventilateur + moteur

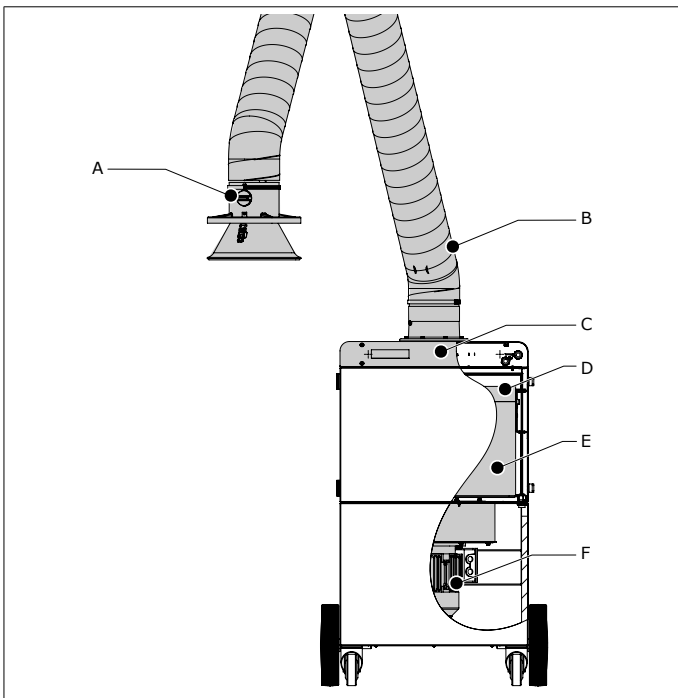


Fig. 2.1 Composants et éléments principaux

## 2.2 Fonctionnement

Le MobileGo<sup>plus</sup> fonctionne selon le principe de recyclage. La fumée de soudure est aspirée par le ventilateur intégré à la hotte du bras d'aspiration raccordé. L'air pollué passe à travers le préfiltre à cassette et il est nettoyé par la cassette filtrante HEPA.

L'air nettoyé est renvoyé dans l'atelier via la grille d'évacuation sur la côté arrière de l'unité.

### 2.2.1 Indication de remplacement de filtre

Le MobileGo<sup>plus</sup> est équipé d'un indicateur de service qui surveille le flux d'air. Un voyant rouge (DEL) indique lorsqu'il est nécessaire de remplacer les filtres.

## 3 INSTRUCTIONS DE SÉCURITÉ

### Généralités

Le fabricant décline toute responsabilité en cas de dommage ou de lésion corporelle résultant de la non observation (stricte) des consignes de sécurité et des instructions de ce manuel, ou de négligence durant l'installation, l'entretien et la réparation du produit figurant en première page de couverture de ce document et des éventuels accessoires correspondants. En fonction des conditions de travail spécifiques ou des accessoires employés, il est possible que des consignes de sécurité complémentaires s'imposent. Veuillez prendre immédiatement contact avec votre fournisseur si vous constatez un risque potentiel lors d'emploi du produit.

**L'utilisateur du produit est en tout temps entièrement responsable du respect des consignes et directives de sécurité locales en vigueur. Respectez donc toutes les consignes et directives applicables.**

### Manuel opérateur

- Toute personne qui travaille sur ou avec le produit est tenue de prendre connaissance de ce manuel et d'en observer scrupuleusement les instructions. La direction de l'entreprise doit instruire le personnel sur la base du manuel et de prendre en considération toutes les instructions et indications.
- Ne modifiez jamais l'ordre des opérations à effectuer.
- Conservez le manuel constamment à proximité du produit.

### Opérateurs

- L'utilisation du produit est réservée exclusivement aux opérateurs instruits et autorisés en ce sens. Intérimaires et personnes en formation ne doivent utiliser le produit que sous la supervision et la responsabilité d'un professionnel.
- Soyez constamment vigilant et concentrez-vous sur votre travail. N'utilisez pas le produit si vous êtes fatigués ou sous l'influence de drogues, d'alcool ou de médicaments.
- La machine n'est pas conçue pour être utilisée par des enfants ou des personnes ayant des capacités physiques, sensorielles ou mentales réduites, ou un manque d'expérience et de connaissance, si ces personnes ne sont pas surveillées ou n'ont pas reçu des instructions.
- Surveiller les enfants afin qu'ils ne jouent pas avec la machine.

### Emploi conforme à la destination<sup>3</sup>

Ce produit a été exclusivement conçu pour aspirer et filtrer les fumées et particules qui se dégagent lors des opérations de soudure et de coupage les plus courantes. Tout autre usage est considéré comme non conforme à la destination du

3. « Emploi conforme à la destination » tel arrêté dans la norme EN-ISO 12100-1 est l'usage pour lequel le produit technique est approprié d'après la spécification du fabricant - inclusivement ses indications dans la brochure de vente. En cas de doute, c'est l'usage que l'on peut normalement déduire de la construction, du modèle et de la fonction du produit. L'emploi conforme à la destination suppose également le respect des instructions du manuel opérateur.

produit. Le fabricant décline toute responsabilité en cas de dommage ou de lésion corporelle résultant de cet autre usage. Le produit est en conformité avec les normes et directives en vigueur. Utilisez le produit uniquement s'il se trouve en parfait état technique, conformément à la destination sus-décrite.

### Spécifications techniques

Les spécifications indiquées dans ce manuel ne doivent pas être modifiées.

### Modifications

La modification du produit ou des composants n'est pas autorisée.

### Installation

- L'installation du produit est réservée exclusivement aux techniciens instruits et autorisés en ce sens.
- La connexion électrique doit être effectuée en accord avec les exigences locales. Assurez-vous de la conformité aux dispositions des règlements CEM.
- Utilisez toujours, pendant l'installation, les équipements de protection individuelle (EPI) afin d'éviter les blessures. Ceci vaut également pour les personnes pénétrant dans la zone de travail pendant l'installation.
- Assurez un bon éclairage du poste de travail.
- Soyez constamment vigilant et concentrez-vous sur votre travail. N'installez pas le produit si vous êtes fatigués ou sous l'influence de drogues, d'alcool ou de médicaments.
- Proscrivez le recyclage de l'air contenant des éléments de chrome, nickel, béryllium, cadmium, plomb, etc. Cet air doit toujours être évacué en dehors de l'atelier.

### Utilisation

	<p><b>MISE EN GARDE</b>            Risque de feu! N'utilisez pas le produit à des fins de :</p> <ul style="list-style-type: none"> <li>- polissage combiné au meulage, au soudage ou à toute autre application produisant des étincelles (les fibres des disques de polissage ou abrasifs à lamelles sont hautement inflammables et présentent un risque élevé d'incendies de filtres en cas d'exposition à des étincelles)</li> <li>- vapeurs formées lors du gougeage</li> <li>- l'aspiration et/ou de la filtration de particules ou de substances (liquides) inflammables, incandescentes ou brûlantes</li> <li>- l'aspiration et/ou de la filtration des fumées agressives (telles que l'acide chlorhydrique) ou des particules coupantes</li> <li>- l'aspiration et/ou de la filtration de particules de poussière qui se dégagent des travaux de soudure sur des surfaces traitées avec une peinture primaire</li> <li>- aspirer des cigarettes brûlantes, cigares, linges à l'huile et autres particules, objets et acides brûlantes</li> </ul>
	<p><b>MISE EN GARDE</b>            Risque d'explosion! N'utilisez pas le produit pour des applications présentant des risques d'explosion, p. ex. :</p> <ul style="list-style-type: none"> <li>- découpe au laser d'aluminium</li> <li>- particules abrasives d'aluminium ou de magnésium</li> <li>- environnements et substances/gaz explosifs</li> </ul>
	<p><b>MISE EN GARDE</b>            N'utilisez pas le produit à des fins de :</p> <ul style="list-style-type: none"> <li>- vapeurs chaudes (d'une température dépassant les 70°C/158°F continuellement)</li> <li>- projection à la flamme</li> <li>- vapeurs d'huile</li> <li>- brouillard d'huile dense dans la fumée de soudure</li> <li>- extraction de ciment, de poussières de sciage, de poussières de bois, etc.</li> </ul>

- Inspectez le produit et assurez-vous qu'il n'est pas endommagé. Vérifiez le fonctionnement correct des dispositifs de sécurité.
- Ne placez jamais le produit devant les entrées, sorties, et passages destinés aux services de secours.
- Utilisez toujours, pendant l'utilisation les équipements de protection individuelle (EPI) afin d'éviter les blessures. Ceci vaut également pour les personnes pénétrant dans la zone de travail pendant l'installation.
- Contrôlez la zone de travail. Interdisez l'accès de cette zone aux personnes non autorisées.
- Protégez le produit contre l'eau et l'humidité.
- Assurez toujours une aération suffisante, notamment dans les petits locaux.
- Assurez-vous de la présence d'un nombre suffisant d'extincteurs homologués (classes de feu ABC) dans l'atelier, à proximité du produit.
- Veillez à ne laisser traîner aucun outil dans ou sur le produit.
- Le circuit de retour du courant de soudage entre la pièce à souder et le poste de soudage dispose d'une faible résistance. Évitez par conséquent toute liaison entre la pièce à souder et le MobileGo<sup>plus</sup>, afin qu'il soit impossible que le courant de soudage ne retourne au poste de soudage via le conducteur de protection du MobileGo<sup>plus</sup>.

### Service, entretien et réparations

- Respectez le calendrier d'entretien indiqué dans ce manuel. Un retard dans les travaux d'entretien peut se traduire par des coûts élevés de réparations et de révisions et peut même entraîner l'annulation de la garantie.
- Utilisez toujours les équipements de protection individuelle (EPI) afin d'éviter les blessures. Ceci vaut également pour les personnes pénétrant dans la zone de travail.
- Assurez toujours une aération suffisante.
- Utilisez toujours des outils, pièces, matériaux, lubrifiants et techniques d'entretien et de réparation approuvés par le fabricant. Évitez l'usage des outils usés et veillez à ne laisser traîner aucun outil dans ou sur le produit.
- Nettoyez ensuite la zone.

	<p><b>ATTENTION</b>            Le service, l'entretien et les réparations doivent être effectués uniquement par des personnes agréées, qualifiées et expertes utilisant des méthodes de travail appropriées.</p>
	<p><b>ATTENTION</b>            Avant d'entreprendre les travaux de service, d'entretien et/ou de réparation :            - débranchez l'unité</p>
	<p><b>Equipement de protection individuelle (EPI)</b>            Portez une protection respiratoire et des gants de protection pendant le service, l'entretien et les réparations.</p>
	<p><b>MISE EN GARDE</b>            L'aspirateur industriel utilisé pendant l'entretien et la maintenance doit être conçu pour la classe HEPA (efficacité de ≥99,97% à 0,3 µm).</p>

## 4 INSTALLATION

### 4.1 Outils et outillage

Les outils et l'outillage suivants sont nécessaires pour installer l'unité :

- outils de base

#### 4.1.1 A acquérir localement

- fiche

## 4.2 Déballage

Contrôlez si le produit est complet. Le contenu de l'emballage se compose des éléments suivants :

### Unité de filtration

- unité mobile
- rondelle M6 (8)
- boulon M6x25 (8)

### Bras d'aspiration

- bras d'aspiration (pré-assemblé)
- bride rotative
- joint tournant, manchon inclus
- hotte
- collet pour hotte avec toile métallique
- rondelle M20

## 4.3 Bras sur l'unité mobile

Pour installer le bras d'aspiration, procédez comme suit.


	<b>CONSEIL</b> Effectuez un contrôle d'équilibrage du bras avant de fixer les tuyaux. Reportez-vous à la section 6.3.
--	--

Fig. 4.1

- Installez la bride rotative (C) sur l'unité de filtration avec les 8 boulons M6x25 (A) + rondelles (B).

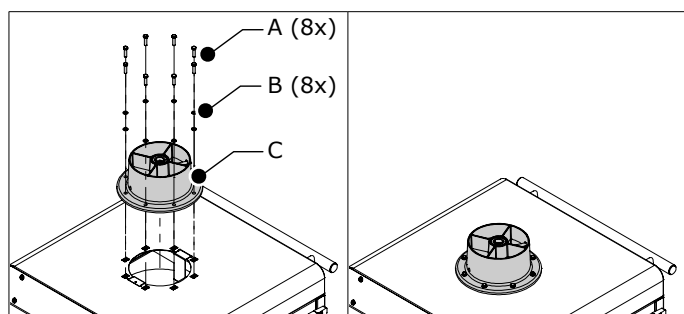



Fig. 4.1 Bride rotative

Fig. 4.2

- En cas d'un bras tuyau : placez le tuyau sur les tiges internes du bras.
- Déplacez le collier de serrage (C) et l'anneau pivotant du bras (y compris le manchon en caoutchouc) (D) sur la tige d'articulation (B).
- Placez la rondelle M20 (E) sur la bride rotative (F).
- Placez la tige d'articulation (B) dans la bride rotative (F).
- Placez le tuyau (A) sur l'anneau pivotant du bras (D).
- Utilisez le manchon en caoutchouc pour rendre le raccordement étanche à l'air.
- Fixez le tuyau (A) à l'anneau pivotant (D) avec le collier de serrage (C).

	<b>ATTENTION!</b> Veillez à installer la rondelle M20 (E) entre la bride rotative et l'anneau pivotant afin d'éviter tout dommage.
--	---

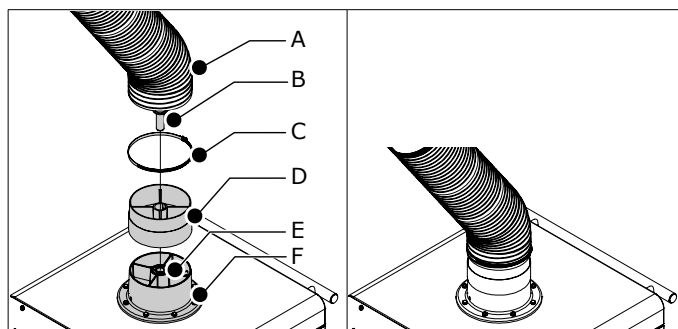


Fig. 4.2 Bras sur l'unité mobile

## 4.4 Montage de la hotte

Pour installer la hotte, procédez comme suit.

Fig. 4.3

- Desserrez les matériaux de fixation fixés à la charnière de la hotte.
- Installez la hotte d'aspiration (G) avec le boulon (F), 2 rondelles (E), 2 rondelles de ressort (D) et un contre-écrou (C).
- Installez le collet de la hotte (H) sur la hotte (G). Fixez-le avec l'attache.
- Installez le tuyau (A) sur la hotte.
- Fixez le tuyau avec le collier de serrage (B).

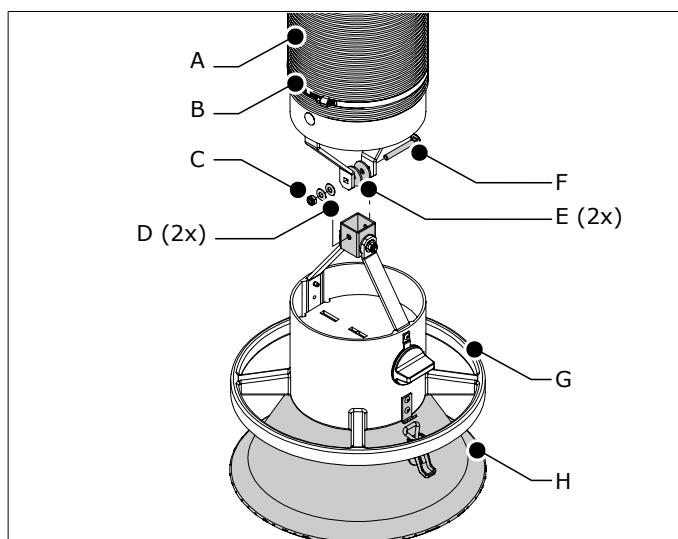


Fig. 4.3 Montage de la hotte

•

## 5 UTILISATION



### MISE EN GARDE

Risque de feu! N'utilisez **pas** le produit pour des applications de polissage combiné au meulage, au soudage ou à toute autre application produisant des étincelles.

**Reportez-vous au chapitre 3 / Instructions de sécurité / Utilisation.**

### 5.1 Tableau de commande

L'unité est munie des fonctions et indicateurs suivantes :

Fig. 5.1

- A Interrupteur à bascule (0-1)
- B Indicateur de service (DEL rouge)

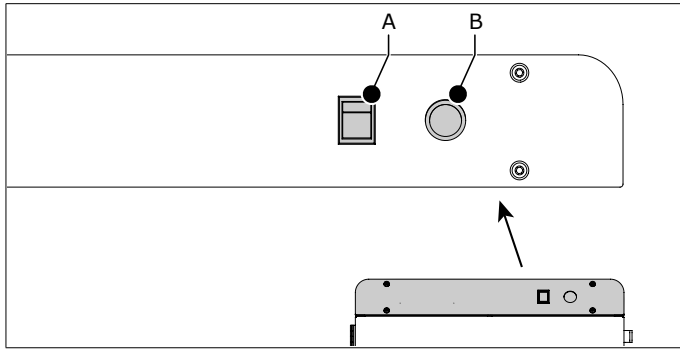


Fig. 5.1 Fonctions et indicateurs

## 5.2 Utilisation

Comme il s'agit d'une unité mobile, l'unité peut être utilisée à n'importe quel endroit. Pour obtenir les meilleurs résultats de fonctionnement, disposez l'unité le plus près possible de la source de pollution.

- Placez la hotte du bras d'aspiration à une distance 400-800 mm (16-32 po.) au dessus de la source de pollution. Voir Fig. III à la page 24 pour la position correcte.
- Vérifiez que l'obturateur (voir Fig. 2.1A) est ouvert.
- Mettez en marche l'unité (voir Fig. 5.1A).
- Commencez à souder.
- En cas de changement de position de soudure, dirigez la hotte correctement vers la soudure.

	<p><b>MISE EN GARDE</b> Afin que la fumée de soudure soit éloignée de la zone respiratoire du soudeur, assurez-vous que toute la fumée soit extraite par la hotte.</p>
--	--

- Une fois le soudage terminé, attendez environ 20 secondes avant d'arrêter l'unité.

Lorsque le flux d'air est trop faible pendant l'utilisation, l'indicateur de service (voir Fig. 5.1B) est allumé. Reportez-vous au chapitre 7 pour déterminer la cause possible et la solution.

	<p><b>ATTENTION</b> Si vous ne remplacez pas le préfiltre et/ou la cassette filtrante HEPA en temps utile, le flux d'air (capacité d'aspiration) continue de diminuer.</p>
--	--

## 6 ENTRETIEN

### 6.1 Entretien périodique

Le produit a été conçu pour fonctionner longtemps sans problème et avec un minimum d'entretien. Pour vous en assurer, il faut néanmoins effectuer les indispensables opérations d'entretien et de nettoyage décrites dans ce chapitre. Si vous procédez avec les précautions nécessaires et assurez un entretien régulier, les éventuels problèmes seront généralement décelés et corrigés avant qu'ils n'occasionnent une panne.

	<p><b>MISE EN GARDE</b> Tout retard dans l'entretien peut provoquer un feu.</p>
--	---

Le calendrier d'entretien indiqué peut varier en fonction des conditions de travail et d'exploitation. C'est pourquoi - outre le calendrier d'entretien périodique indiqué dans ce manuel - il est recommandé de soumettre chaque année la machine à une inspection générale et minutieuse. Pour cela, contactez votre fournisseur.

Composant	Opération	Fréquence : chaque X mois	
		X=6	X=12
<b>Unité de filtration</b>			
Boîtier	Nettoyez l'extérieur à l'aide d'un nettoyant doux.		X
	Nettoyez l'intérieur à l'aide d'un aspirateur industriel et éliminez la poussière du compartiment du filtre.		X
	Contrôlez le matériel d'étanchéité. Remplacez-le si nécessaire.		X
Ventilateur	Contrôlez quant à la présence de saleté incrustée. Nettoyez-le si nécessaire.		X
Câble d'alimentation	Vérifiez si il n'est pas endommagé. Remplacez-le si nécessaire.	X *)	
<b>Bras d'aspiration</b>			
Tubes	Nettoyez l'extérieur à l'aide d'un nettoyant doux	X	
	Nettoyez l'intérieur à fond	X	
Tuyaux	Vérifiez qu'il est exempt de fissures et non endommagé. Remplacez si nécessaire	X	
Hotte	Vérifiez les mouvements de la hotte. Réglez la friction, si nécessaire ; reportez-vous à la section 6.3	X	
Mouvement du bras	Vérifiez les mouvements horizontaux, verticaux et en diagonale du bras. Réglez la friction, si nécessaire ; reportez-vous à la section 6.3	X	
*) Avant chaque usage			

### 6.2 Remplacement des filtres

L'indicateur de service (DEL rouge) est allumé lorsque le flux d'air est trop faible.

	<p>Assurez vous que :</p> <ul style="list-style-type: none"> <li>- l'obturateur est ouvert</li> <li>- le bras d'aspiration n'est pas complètement plié</li> </ul>
--	---

Quand l'indicateur de service continue d'allumer, vous devez remplacer la/les cassettes filtrantes.

Comme le préfiltre est plus petit et sature plus rapidement que le filtre HEPA, vous pouvez remplacer le préfiltre à cassette plusieurs fois avant de finalement devoir remplacer la cassette filtrante HEPA.

		<p><b>Equipement de protection individuelle (EPI)</b> Portez une protection respiratoire et des gants de protection lorsque vous remplacez les cassettes filtrantes.</p>
	<p><b>MISE EN GARDE</b> Ne remplacez <b>pas</b> les cassettes filtrantes lorsque le ventilateur fonctionne.</p>	
	<p><b>MISE EN GARDE</b> Ne secouez et ne nettoyez (aspirez) <b>pas</b> les cassettes filtrantes usagées afin d'éviter de libérer des particules.</p>	

#### 6.2.1 Préfiltre à cassette

Pour remplacer le préfiltre à cassette, procédez comme suit.

Fig. 6.1

- Mettez l'unité hors tension.

- Ouvrez la porte arrière (B).
- Retirez le préfiltre à cassette (A).
- Mettez le préfiltre à cassette usagé au rebut conformément aux réglementations fédérales, gouvernementales ou locales.
- Placez un nouveau préfiltre à cassette dans l'unité. Vérifiez que la flèche sur le châssis pointe vers le bas<sup>4</sup>.
- Fermez et verrouillez la porte.

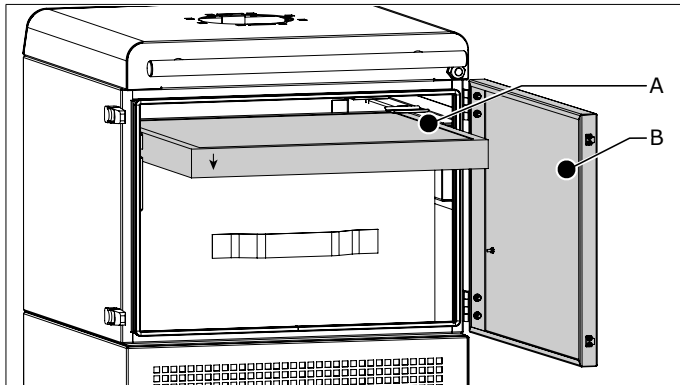
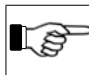


Fig. 6.1 Remplacement du préfiltre à cassette

 Quand l'indicateur de service continue d'allumer après avoir remplacé le préfiltre à cassette, il est temps de remplacer la cassette filtrante HEPA.

### 6.2.2 Cassette filtrante HEPA

Pour remplacer la cassette filtrante HEPA, procédez comme suit.

Fig. 6.2

- Mettez l'unité hors tension.
- Ouvrez la porte arrière (C).
- Retirez le préfiltre à cassette.
- Soulevez légèrement la cassette filtrante HEPA (D) et retirez-la.
- Mettez la cassette filtrante usagée au rebut conformément aux réglementations fédérales, gouvernementales ou locales.
- Placez une cassette filtrante HEPA neuve dans l'unité. Les ergots latéraux (A) s'ajustent parfaitement dans les entailles (B).
- Remplacez le préfiltre à cassette dans le logement. Vérifiez que la flèche sur le châssis pointe vers le bas<sup>5</sup>.
- Fermez et verrouillez la porte.

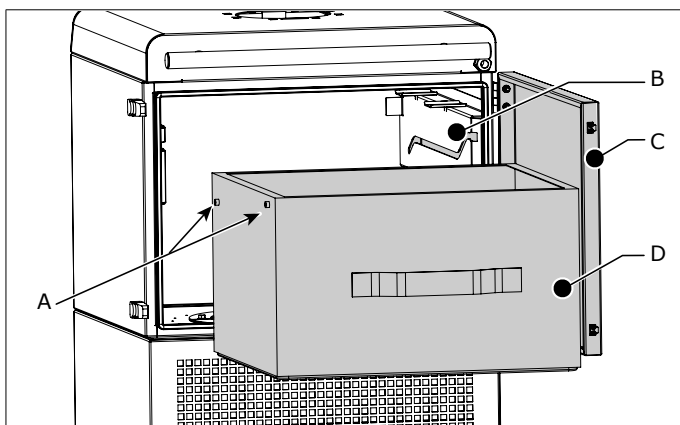


Fig. 6.2 Remplacement de la cassette filtrante HEPA

4. La flèche indique le sens du flux d'air

5. La flèche indique le sens du flux d'air. Un mauvais placement du préfiltre à cassette affecte la durée de vie du filtre.

### 6.3 Réglage du bras

Si le bras d'aspiration, ou une partie de celui-ci, ne reste pas dans la position souhaitée, vous devez régler le frottement.

- Déterminez quel joint a besoin de plus ou de moins de friction.
- Desserrez le tuyau à cet endroit pour accéder à l'articulation.
- Tirez le bras en position horizontale.
- Réglez le frottement ; référez-vous à la Fig. V à la page 25 pour connaître les points de réglage.

## 7 RÉPARATION DES PANNES

Si l'unité ne fonctionne pas (correctement), consultez la liste de vérifications suivantes pour voir si vous pouvez remédier vous-même au problème. Si ce n'est pas le cas, contactez votre fournisseur.



### MISE EN GARDE

Respectez les règles de sécurité indiquées dans le chapitre 3 lorsque vous effectuez les activités ci-dessous.

Signalisation	Problème	Cause possible	Remède
Le ventilateur ne démarre pas	L'unité ne fonctionne pas	Absence de courant secteur	Raccordez la tension secteur
		La protection contre la surcharge thermique est activée	- Examinez le ventilateur et le moteur pour déterminer la cause et remédier au problème - Appuyez sur le bouton rouge situé derrière le panneau avant pour effectuer une réinitialisation. Voir Fig. IV à la page 24.
		Câble d'alimentation défectueux	Réparez ou changez le câble d'alimentation
		Faux contacts	Réparez les contacts
La DEL verte est allumée mais le ventilateur ne tourne pas	L'unité ne fonctionne pas	Moteur défectueux	Réparez ou changez le moteur
		Le relais est défectueux	Remplacez le relais
		Le relais thermique est défectueux	Remplacez le relais thermique
		Moteur défectueux	Réparez ou changez le moteur



Signalisation	Problème	Cause possible	Remède
Capacité d'aspiration insuffisante	L'unité ne fonctionne pas correctement	L'obturateur se trouvant dans la hotte du bras d'aspiration est (partiellement) fermé	Ouvrez (entièrement) l'obturateur
		Filtres obstrués & raccordement desserré du capteur de pression	Réparez le raccordement des tubes de pression
		Filtres obstrués & capteur de pression défectueux	Remplacez le capteur de pression & le préfiltre à cassette Remplacez aussi la cassette filtrante HEPA
L'indicateur de service (DEL rouge) est allumé	Capacité d'aspiration insuffisante	Préfiltre obstrué	Remplacez le préfiltre à cassette
		Filtre HEPA obstrué	Remplacez la cassette filtrante HEPA
Le bras d'aspiration ne reste pas dans la position souhaitée	Échappement de fumée ; aspiration insuffisante	Le réglage du frottement est incorrect	Réglez le frottement ; voir Fig. V à la page 25 pour connaître les points de réglage
Vous ne pouvez pas mettre le bras dans la position souhaitée			

## 9.2 Mettre au rebut



Éliminez les polluants et la poussière, avec les filtres usagés, d'une manière professionnelle, conformément aux réglementations fédérales, gouvernementales ou locales.

## 8 SCHÉMA ÉLECTRIQUE

Reportez-vous au schéma électrique fourni séparément.

## 9 METTRE AU REBUT

Le démontage et la mise au rebut de l'unité doivent être effectués par des personnes qualifiées.

 	<p><b>Équipement de protection individuelle (EPI)</b></p> <p>Portez une protection respiratoire et des gants de protection lorsque vous démontez et mettez l'unité au rebut.</p>
--	--

### 9.1 Démontage

Afin de démonter l'unité en toute sécurité, respectez les instructions de sécurité qui suivent.

Avant le démontage de l'unité :

- débranchez-la du secteur
- nettoyez l'extérieur

Lors du démontage de l'unité :

- vérifiez que la zone est suffisamment ventilée, p. ex. par une unité de ventilation mobile

Après le démontage de l'unité :

- nettoyez la zone de démontage

## PREÁMBULO

### Acerca de este manual

Este manual se editó en concepto de documento de referencia para usuarios profesionales, cualificados y debidamente autorizados. Utilizando dicho manual podrá instalar, hacer funcionar, mantener y reparar de una forma segura el producto que se indica en la cubierta.

### Pictogramas y símbolos

En el presente manual figuran los siguientes pictogramas y símbolos:

	<b>CONSEJO</b> Sugerencias e indicaciones acerca de la manera de realizar con mayor facilidad las tareas y actuaciones que se describen.
	<b>¡ATENCIÓN!</b> Comentario sobre información adicional para el usuario. El comentario alerta al usuario de posibles problemas.
	<b>¡CUIDADO!</b> Advierte sobre operaciones las cuales, en caso de no ejecutarse con el debido cuidado, pueden causar algún desperfecto en el producto, daños en el entorno o perjudicar el medio ambiente.
	<b>¡ADVERTENCIA!</b> Advierte sobre operaciones las cuales, en caso de no ejecutarse con el debido cuidado, pueden conducir a serios desperfectos en el producto y lesionar a las personas.
	<b>¡CUIDADO!</b> ¡Peligro de descargas eléctricas!
	<b>¡ADVERTENCIA!</b> ¡Peligro de incendio! Advertencia importante para evitar incendios.
	<b>¡ADVERTENCIA!</b> ¡Peligro de explosión! Advertencia importante para evitar explosiones.
	<b>Equipo de protección personal (EPP)</b> Instrucciones para usar protección respiratoria cuando realice tareas de asistencia, mantenimiento y reparación, así como durante pruebas de funcionamiento. Recomendamos usar una máscara de media cara conforme a EN 149:2001 + A1:2009, clase FFP3 (Directiva 89/686/EEC).
	<b>Equipo de protección personal (EPP)</b> Instrucciones para usar guantes de protección cuando realice tareas de asistencia, mantenimiento y reparación.

### Indicadores de texto

Los listados indicados mediante un “-” (guión) se refieren a enumeraciones.

Los listados indicados mediante un “•” (punto) se refieren a pasos que hay llevar a cabo.

### Servicio posventa

Con relación a determinados ajustes, tareas de mantenimiento y reparaciones que no se tratan en el presente manual, se ruega dirigirse al proveedor del producto. Con mucho gusto le facilitarán la información deseada. Dado el caso, se ruega tener preparados los siguientes datos:

- denominación del producto
- número de serie

Estos datos figuran en la placa de características.

## 1 INTRODUCCIÓN

### 1.1 Identificación del producto

La placa de características contiene los siguientes datos:

- denominación del producto
- número de serie
- tensión de conexión y frecuencia
- potencia

### 1.2 Descripción general

El MobileGo<sup>plus</sup> es una unidad de filtración móvil con un ventilador integrado y un brazo de aspiración. Presenta un casete de prefiltro y un casete de filtro HEPA (ambos desechables). Gracias a las cuatro ruedas para transporte (dos de ellas son orientables con freno) el MobileGo<sup>plus</sup> es apto en espacios relativamente reducidos o cerca de fuentes de polución sin ubicación fija.

#### 1.2.1 Intensidad de uso

El MobileGo<sup>plus</sup> es idóneo para actividades de soldadura ocasionales<sup>1</sup> y regulares<sup>2</sup> y soldadura TIG.

### 1.3 Datos técnicos

Dimensiones y características	
Material (caja)	acero electro zincado
Peso (sin brazo)	85,5 kg (188.5 lbs)
Filtros	
Casete de prefiltro:	
- material	poliéster
- superficie del filtro	1 m <sup>2</sup> (10.8 pie <sup>2</sup> )
- clasificación filtro	ISO Coarse 70% según ISO 16890
Casete de filtro HEPA	
- material	fibra de vidrio
- superficie del filtro	26 m <sup>2</sup> (280 pie <sup>2</sup> )
- nivel de eficiencia	MERV 16 según ASHRAE 52.2
Lavable	no
Brazo de aspiración	
Tipo	brazo de tubo metálico (KUA)
Longitud	2 o 3 m
Diámetro	Ø 160 mm (6.3 pulg.)
Peso :	
- KUA-2	12 kg (26.5 lbs)
- KUA-3	15,5 kg (34.2 lbs)
-	
Ventilador	
Tipo de ventilador	radial
Capacidad de aspiración	1100 m <sup>3</sup> /h (600 CFM) máx.
Velocidad del ventilador	3400 rpm
Datos eléctricos	
Potencia absorbida	1,1 kW (1.5 HP)
Tensiones de alimentación disponibles	- 115V/1ph/60Hz
Diseño del motor	IEC
Eficiencia energética	no procede
Cable eléctrico	5 m
Enchufe de red	B (NEMA 5-15P)
Certificación	UL (sólo para los componentes eléctricos)

#### 1.3.1 Dimensiones

Véase Fig. I en la página 24.

1. aprox. 1 bobina de hilo macizo o 7,5 kg (16.5 lbs) de electrodos al mes
2. aprox. 2 bobinas de hilo macizo o 15 kg (33 lbs) de electrodos al mes

## 1.4 Alcance de trabajo

Véase Fig. II en la página 24.

## 1.5 Condiciones del entorno e del proceso

Temperatura del proceso:	
- min.	5°C (41°F)
- nom.	20°C (68°F)
- máx.	70°C (158°F)
Humedad relativa del aire máxima	90%
Apto para uso en exteriores	no

## 1.6 Transporte de la máquina

El fabricante no acepta responsabilidad alguna por daños de transporte posteriores a la entrega de el producto.

- Manipule siempre con cuidado la unidad de filtro y el brazo de aspiración adjuntos.
- Desmonte por completo el brazo de aspiración antes del transporte. Desmonte el brazo ejecutando el proceso de montaje en el orden inverso. A continuación, la unidad y el brazo pueden transportarse sobre un pallet en su embalaje original.
- Para evitar daños, evite que la unidad y el brazo se muevan sobre el pallet.

## 2 PRODUCT DESCRIPTION

### 2.1 Components

El producto consiste en los siguientes componentes y elementos principales:

Fig. 2.1

- A válvula reguladora de cierre
- B brazo de aspiración
- C panel de mandos
- D casete de prefiltro
- E casete de filtro HEPA
- F ventilador + motor

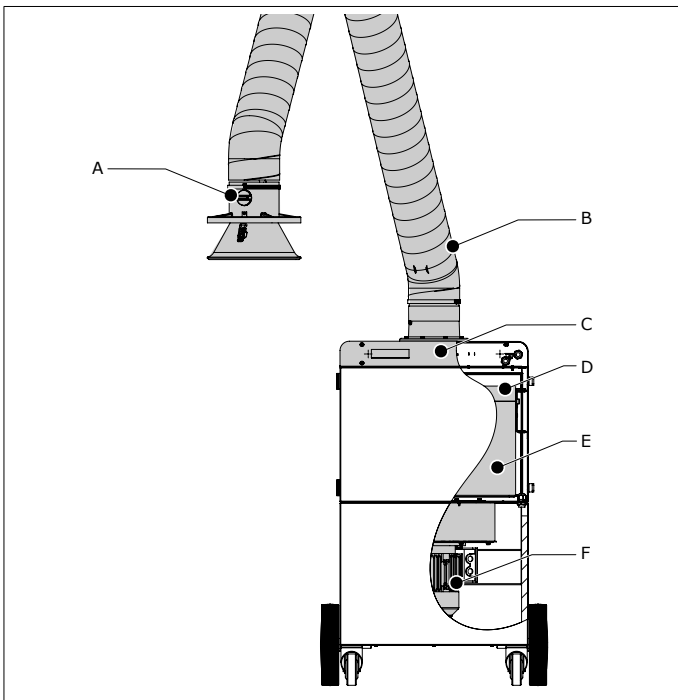


Fig. 2.1 Componentes y elementos principales

## 2.2 Funcionamiento

El MobileGo<sup>plus</sup> trabaja según el io de recirculación. Los humos de soldadura se aspiran a través de la campana del brazo de aspiración conectado mediante el ventilador empotrado. El aire contaminado pasa por el casete de prefiltro y se limpia en el casete de filtro HEPA.

El aire limpio vuelve al taller a través de la rejilla de salida de la parte posterior de la unidad.

### 2.2.1 Indicación de sustitución del filtro

El MobileGo<sup>plus</sup> tiene un indicador de servicio que vigila el flujo de aire. Un DEL rojo indica cuando es necesario de sustituir el/ los filtro(s).

## 3 NORMATIVAS DE SEGURIDAD

### Generalidades

El fabricante no se responsabiliza de ningún modo de los daños o lesiones que se puedan producir a causa del incumplimiento (exacto) de las normativas e instrucciones en materia de seguridad que se dan en el presente manual, así como en casos de negligencia durante la instalación, el manejo, el mantenimiento y la reparación del producto o de los posibles accesorios que se describen en el presente documento.

Puede resultar necesario, en función de las condiciones de trabajo específicas, la edición de normas de seguridad complementarias. En el caso de detectarse, durante el uso del producto, posibles fuentes de peligro, se ruega ponerse en contacto con el proveedor del producto.

**El usuario del producto tiene en todo momento la plena responsabilidad del cumplimiento de las normativas y directivas que en materia de seguridad puedan regir localmente. Se tienen que cumplir siempre las disposiciones y normas de seguridad en vigor.**

### Instrucciones de uso

- Toda persona que utilice el producto debe estar familiarizada con el contenido de las presentes instrucciones y debe cumplir al pie de la letra las indicaciones que en las mismas se dan. La Dirección de la empresa asume la obligación de instruir al personal basándose en dichas instrucciones, así como de cumplir todas las normas e instrucciones.
- El usuario no debe alterar en ningún momento el orden de las actuaciones que se tienen que realizar.
- Estas instrucciones se deben guardar siempre en las proximidades del producto.

### Operarios

- El manejo del equipo que aquí se describe queda reservado al personal debidamente cualificado y autorizado. Los empleados temporales, así como los aprendices u otras personas en formación, sólo pueden manejar el equipo bajo la supervisión y responsabilidad de personal experto.
- Esté atento y preste mucha atención a su trabajo. No maneje el producto nunca en estado de embriaguez o tras ingerir medicamentos.
- La máquina no debe ser usada por niños ni personas con capacidades físicas, sensoriales o mentales reducidas, o con falta de experiencia y conocimientos, a menos que reciban supervisión o instrucciones.
- Los niños deben ser supervisados para evitar que jueguen con la máquina.

### Utilización debida<sup>3</sup>

El producto se ha diseñado exclusivamente para la aspiración y filtración de humos y sustancias liberados durante la mayoría de procesos de soldadura habituales. Todo uso distinto o que vaya más allá de esta finalidad será considerado como uso indebido. El fabricante declina toda responsabilidad de los daños o lesiones que se puedan producir a causa de tal uso indebido. El producto corresponde a las normas y directivas en vigor y debe utilizarse exclusivamente en estado técnicamente correcto y con arreglo a su finalidad tal y como se ha indicado arriba.

### Datos técnicos

Los datos que figuran en el presente manual no deben ser modificados.



### Modificaciones

No se permiten modificaciones o cambios del equipo o de componentes del mismo.


### Instalación

- La instalación del equipo que aquí se describe queda reservada a los técnicos debidamente cualificado y autorizado.
- La conexión eléctrica se deberá llevar a cabo conforme a las normas locales. Asegúrese de que se cumpla la normativa sobre compatibilidad electromagnética (CEM).
- Durante la instalación, use siempre equipo de protección personal (PPE) para evitar daños. Esto también es aplicable para personas que accedan a la zona de trabajo durante la instalación.
- Asegúrese de que la zona de trabajo esté bien iluminada.
- Esté atento y preste mucha atención a su trabajo. No instale el producto nunca en estado de embriaguez o tras ingerir medicamentos.
- No se debe reciclar aire que contiene partículas como cromo, níquel, berilio, cadmio, plomo etc. Este aire debe ser siempre conducido fuera del lugar del trabajo.

### Uso

	<b>¡ADVERTENCIA!</b> iPeligro de incendio! <b>No</b> utilice el producto para: <ul style="list-style-type: none"><li>- aplicación de pulido en combinación con amolado, soldadura y cualquier otra aplicación que genere chispas (las fibras de los discos de láminas pulidoras o lijadoras son muy inflamables y crean un grave peligro de que se produzcan incendios en los filtros cuando se expongan a chispas)</li><li>- corte por arco aire</li><li>- la aspiración y/o la filtración de partículas, sustancias y líquidos inflamables, incandescentes o en llamas</li><li>- la aspiración y/o la filtración de humos y gases agresivos (como procedentes de ácidos, alcalino, pasta para soldar con litio)</li><li>- para la aspiración y/o la filtración de partículas de polvo liberadas durante los trabajos de soldadura de superficies imprimadas</li><li>- extracción de cigarrillos encendidos, puros, trapos con aceite y otras partículas y objetos incandescentes o ácidos</li></ul>
	<b>¡ADVERTENCIA!</b> iPeligro de explosión! <b>No</b> use el producto para aplicaciones con riesgo de explosión, p. ej.: <ul style="list-style-type: none"><li>- corte de aluminio por láser</li><li>- polvo de aluminio o magnesio</li><li>- entornos explosivos o sustancias/gases explosivos</li></ul>

3. La "utilización debida" según la definición de EN-ISO 12100-1 es la utilización para la cual el producto técnico es adecuado en virtud de las indicaciones del fabricante, inclusive las indicaciones de éste en el folleto de venta. En casos arbitrarios, se trata de la utilización que se puede derivar como usual en virtud de la construcción, la ejecución y la función del producto en cuestión. El uso debido incluye además el cumplimiento de las instrucciones en el manual de servicio o las instrucciones de uso.

	<b>¡ADVERTENCIA!</b> <b>No</b> utilice el producto para: <ul style="list-style-type: none"><li>- gases calientes (permanentemente por encima de los 70°C/158°F)</li><li>- soldadura con llama</li><li>- neblina de aceite</li><li>- neblina de aceite pesada en humos de soldadura</li><li>- aspiración de cemento, serrín, polvo de madera, etc.</li></ul>
---	--

- Inspeccione el producto cuidadosamente y compruebe la inexistencia de daños. Verifique además el funcionamiento correcto de los dispositivos de protección.
- No instale el producto nunca delante de pasos de entrada o salida que tienen que permanecer accesibles para servicios de salvamento o similares.
- Durante el uso, use siempre equipo de protección personal (PPE) para evitar daños. Esto también es aplicable para personas que accedan a la zona de trabajo durante la instalación.
- Compruebe la zona de trabajo y mantenga alejada del mismo a toda persona no autorizada.
- Proteja el producto frente a la humedad y el agua.
- Asegure en todo momento una buena ventilación, en especial en dependencias de tamaño reducido.
- Asegúrese de que dispone, en su lugar de trabajo, del número necesario de aparatos anti-incendio debidamente homologados (clases de incendios ABC).
- No deje herramientas ni otros objetos dentro o encima de la unidad.
- El circuito de retorno de la corriente de soldadura entre la pieza de trabajo y la soldadora tiene una baja resistencia. Por tanto, evite la conexión entre la pieza de trabajo y el MobileGo<sup>plus</sup> de modo que no exista la posibilidad de que la corriente de soldadura fluya de nuevo hacia la soldadora a través del conductor protector de toma de tierra del MobileGo<sup>plus</sup>.

### Servicio, mantenimiento y reparaciones

- Observe los intervalos de mantenimiento proporcionados en este manual. Los retrasos en el mantenimiento pueden provocar elevados costes de reparación y revisiones y pueden hacer que se invalide la garantía.
- Use siempre equipo de protección personal (PPE) para evitar daños. Esto también es aplicable para personas que accedan a la zona de trabajo.
- Asegure en todo momento una buena ventilación.
- Utilice en todo momento herramientas y materiales homologados por el fabricante, así como repuestos, técnicas de servicio, y lubricantes homologados. No utilice nunca herramientas desgastadas y preste atención a no olvidar herramientas en el producto tras realizar tareas de mantenimiento.
- Limpie la zona posteriormente.

	<b>¡ATENCIÓN!</b> Servicio, mantenimiento y las reparaciones deben ser realizadas exclusivamente por personas autorizadas, cualificadas y preparadas (capacitadas) que usen las prácticas de trabajo adecuadas.
	<b>¡ATENCIÓN!</b> Antes de proceder a la ejecución de los trabajos de servicio, mantenimiento o reparación: <ul style="list-style-type: none"><li>- desconecte la máquina y desenchúfela de la red</li></ul>
 	<b>Equipo de protección personal (EPP)</b> Lleve protección respiratoria y guantes protectores durante el servicio, mantenimiento y reparaciones.
	<b>¡ADVERTENCIA!</b> El aspirador industrial utilizado durante el servicio y mantenimiento debería ajustarse a la clase HEPA (eficiencia $\geq 99.97\%$ a 0,3 $\mu\text{m}$ ).

## 4 INSTALACIÓN

### 4.1 Herramientas y avíos

Se necesitan las siguientes herramientas y requisitos para instalar la unidad:

- herramientas básicas

#### 4.1.1 Hay que obtener localmente

- enchufe de red

### 4.2 Desembalaje

Compruebe la integridad del producto suministrado. El embalaje contiene los siguientes elementos:

#### Unidad de filtración

- unidad de filtro móvil
- arandela M6 (8)
- perno M6x25 (8)

#### Brazo de aspiración

- brazo de aspiración (premontado)
- brida giratoria
- anillo de rotación de brazo, incl. cuello de goma
- campana
- cuello de campana con malla de seguridad
- arandela M20
- Consulte la en la página para ver la altura de instalación recomendada y el diseño de agujeros del soporte de pared.

#### Brazo en unidad móvil

Para instalar el brazo de aspiración, proceda de la siguiente manera.


	<b>CONSEJO</b> Compruebe el equilibrio del brazo antes de fijar las mangueras. Consulte el apartado 6.3.
--	---

Fig. 4.1

- Monte la brida giratoria (C) en la unidad de filtración con los 8 pernos M6x25 (A) + arandelas M6 (B).

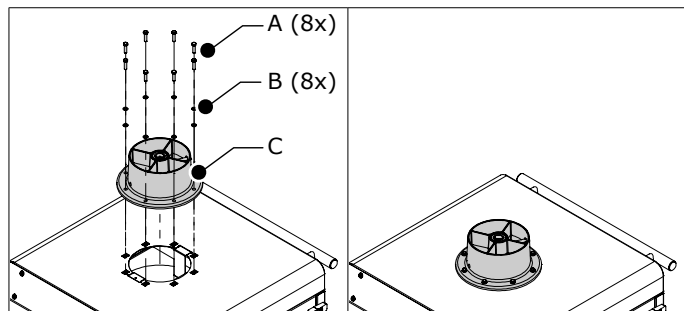


Fig. 4.1 Brida giratoria

Fig. 4.2

- En caso de un brazo de tubo manguera: ponga el tubo manguera sobre las varillas internas del brazo.
- Mueva la abrazadera de la manguera (C) y el anillo de rotación de brazo (incl. cuello de goma) (D) sobre la varilla articulada (B).
- Ponga la arandela M20 (E) sobre la brida giratoria (F).
- Ponga la varilla articulada (B) en la brida giratoria (F).
- Ponga la manguera (A) sobre el anillo de rotación de brazo (D).
- Utilice el cuello de goma para que la conexión quede hermética.
- Acople la manguera (A) al anillo de rotación (D) con la abrazadera de manguera (C).



#### ¡ATENCIÓN!

Asegúrese de instalar la arandela M20 (E) entre la brida giratoria y el anillo de rotación para evitar daños.

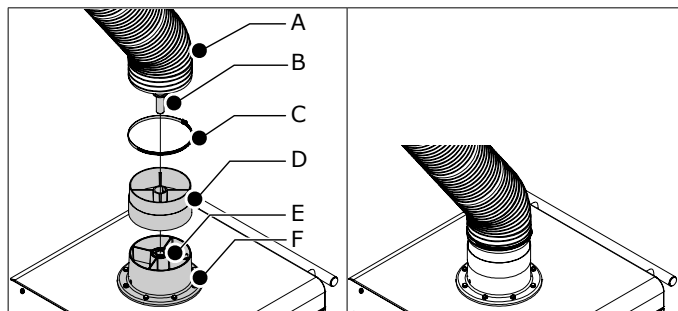


Fig. 4.2 Brazo en unidad móvil

### 4.3 Montaje de la campana

Para instalar la campana, proceda de la siguiente manera.

Fig. 4.3

- Monte la campana de aspiración (G) con el perno (F), 2 arandelas (E), 2 arandelas elásticas (D) y una tuerca de seguridad (C).
- Monte la campana de aspiración (G) con el perno (F), 2 arandelas (E), 2 arandelas elásticas (D) y una tuerca de seguridad (C).
- Monte el cuello de la campana (H) en la campana (G). Fíjelo con la pinza.
- Monte el tubo manguera (A) a la campana.
- Fije el tubo manguera con una abrazadera de manguera (B).

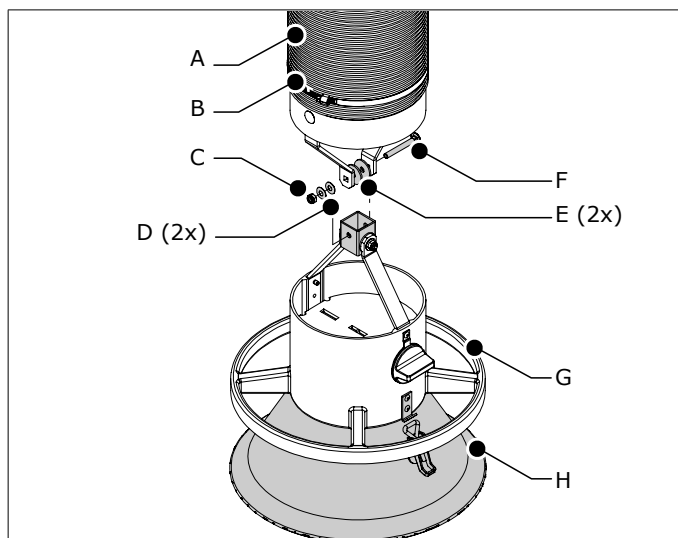


Fig. 4.3 Montaje de la campana

•

## 5 USO



#### ¡ADVERTENCIA!

¡Peligro de incendio! No utilice el producto para aplicación de pulido en combinación con amolado, soldadura y cualquier otra aplicación que genere chispas.

**Consulte el apartado 3 / Normativas de seguridad / Uso**

## 5.1 Panel de mandos

La unidad contiene los siguientes controles e indicadores:

Fig. 5.1

- A Interruptor basculante (0-1)
- B Indicador de servicio (DEL rojo)

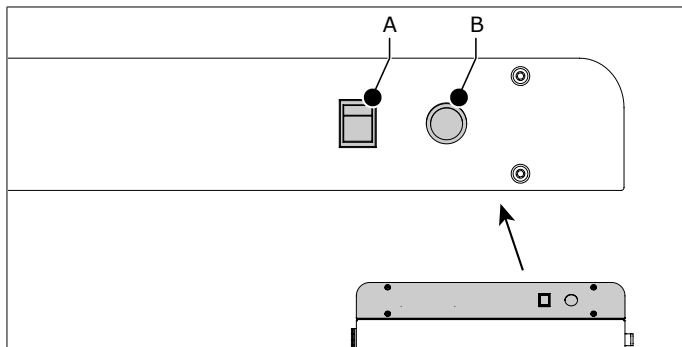



Fig. 5.1 Controles e indicadores

## 5.2 Uso

Como se trata de una unidad móvil, puede usarse en cualquier lugar deseado. Los mejores resultados se obtienen ubicando la unidad lo más cerca posible de la fuente de contaminación.


- Coloque la campana del brazo de aspiración conectado a 400-800 mm (16-32 pulg.) de la fuente de contaminación. Consulte la Fig. III de la página 24 para ver la posición correcta.
- Asegúrese de que la válvula reguladora de cierre está abierta (véase Fig. 2.1A).
- Encienda la unidad (véase Fig. 5.1A).
- Empiece a soldar.
- Cuando cambie la posición de soldadura, mueva la campana a la posición correcta en relación a la soldadura.



**¡ADVERTENCIA!**  
Para mantener los humos de soldadura lejos de la zona de respiración del soldador, asegúrese de que se aspiren todos los humos a través de la campana.

- Apague la unidad unos 20 segundos después de que haya terminado de soldar.

Cuando el flujo de aire sea demasiado bajo durante el uso, el indicador de servicio (véase Fig. 5.1B) es encendido. Consulte el capítulo 7 para encontrar la posible causa y la solución.




**¡ATENCIÓN!**  
Si no sustituye el casete de prefiltro y/o el casete de filtro HEPA a tiempo, el flujo de aire (capacidad de aspiración) se irá reduciendo más.

## 6 MANTENIMIENTO

### 6.1 Mantenimiento regular

La máquina ha sido concebida de tal forma que funcione correctamente a largo plazo con un mantenimiento mínimo. No obstante, y para que esto ocurra de este modo, es necesario llevar a cabo, con regularidad, una serie de tareas simples de mantenimiento y limpieza que se describen en este capítulo. Siempre y cuando se proceda con el cuidado debido y se realicen los trabajos de mantenimiento regularmente, en la mayoría de los casos resulta posible detectar y corregir los posibles fallos antes de que éstos conduzcan a una paralización del equipo.



**¡ADVERTENCIA!**  
La falta de mantenimiento de los equipos puede provocar riesgos de incendios.


Los intervalos de mantenimiento que se indican a continuación dependen de las condiciones de trabajo y servicio. Por esta razón y de forma adicional a las tareas de mantenimiento regulares que se describen en este manual, se recomienda someter al equipo anualmente a una revisión completa. A estos efectos, diríjense a su proveedor.

Componente	Tarea	Frecuencia: cada X meses	
		X=6	X=12
<b>Unidad de filtro</b>			
Caja	Limpe el exterior por medio de un detergente no agresivo.		X
	Limpe el interior por medio de un aspirador industrial y elimine el polvo del compartimento del filtro.		X
	Compruebe el material sellante y sustitúyalo siempre y cuando sea necesario.		X
Ventilador de aspiración	Compruebe respecto a suciedades incrustadas. Limpialo si es necesario.		X
Cable de red	Compruebe respecto a daños. Repare el cable o bien sustitúyalo.	X *)	
<b>Brazo de aspiración</b>			
Tubos	Limpe el exterior por medio de un detergente no agresivo	X	
	Limpe el interior a fondo	X	
Mangueras	Compruebe si hay grietas o daños. Sustitúyalo si es necesario	X	
Campana	Compruebe el funcionamiento de la campana. Si es necesario, ajuste la fricción. Consulte el apartado 6.3	X	
Movimiento del brazo	Compruebe el movimiento horizontal, vertical y diagonal del brazo. Si es necesario, ajuste la fricción. Consulte el apartado 6.3	X	

\*) Antes de cada uso

### 6.2 Sustitución de los filtros

El indicador de servicio (DEL rojo) es encendido cuando el flujo de aire sea demasiado bajo.





Asegúrese de que:

- la válvula reguladora de cierre está abierta
- el brazo de aspiración no esté totalmente plegado


Cuando el indicador de servicio continúa encendido, deberá sustituir el/los casete(s) de filtro.

Como el prefiltro es más pequeño y se satura más deprisa que el filtro HEPA, podrá sustituir varias veces el casete de prefiltro antes de que tenga que sustituir el casete de filtro HEPA.






**Equipo de protección personal (EPP)**  
Lleve protección respiratoria y guantes protectores cuando sustituya los casetes del filtro.



**¡ADVERTENCIA!**  
**No** sustituya los casetes del filtro mientras el ventilador está funcionando.



**¡ADVERTENCIA!**  
**No** agite o limpie (con una aspiradora) los casetes de filtro usados para evitar que se liberen partículas.

### 6.2.1 Casete de prefiltro

Para cambiar el casete de prefiltro, proceda de la siguiente manera.

Fig. 6.1

- Deje sin corriente la unidad.
- Abra la puerta trasera (B).
- Retire el casete de prefiltro (A).
- Elimine el casete de filtro usado conforme a la normativa nacional o local.
- Ponga un nuevo casete de prefiltro en la unidad. Asegúrese de que la flecha del bastidor esté apuntando hacia abajo<sup>4</sup>.
- Cierre y bloquee la puerta.

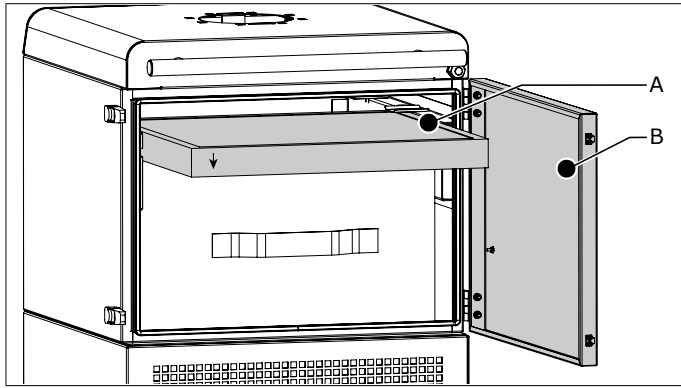


Fig. 6.1 Sustitución del casete de prefiltro



Cuando el indicador de servicio continúa encendido después de que haya sustituido el casete de filtro, será hora de sustituir el casete de filtro HEPA.

### 6.2.2 Casete de filtro HEPA

Para cambiar el casete de filtro HEPA, proceda de la siguiente manera.

Fig. 6.2

- Deje sin corriente la unidad.
- Abra la puerta trasera (C).
- Retire el casete de prefiltro.
- Levante ligeramente y retire el casete de filtro HEPA (D).
- Elimine el casete de filtro HEPA usado conforme a la normativa nacional o local.
- Ponga un nuevo casete de filtro HEPA en la unidad. Las clavijas laterales (A) encajan exactamente en las hendiduras (B).
- Vuelva a poner el casete de prefiltro en el cuerpo. Asegúrese de que la flecha del bastidor esté apuntando hacia abajo<sup>5</sup>.
- Cierre y bloquee la puerta.

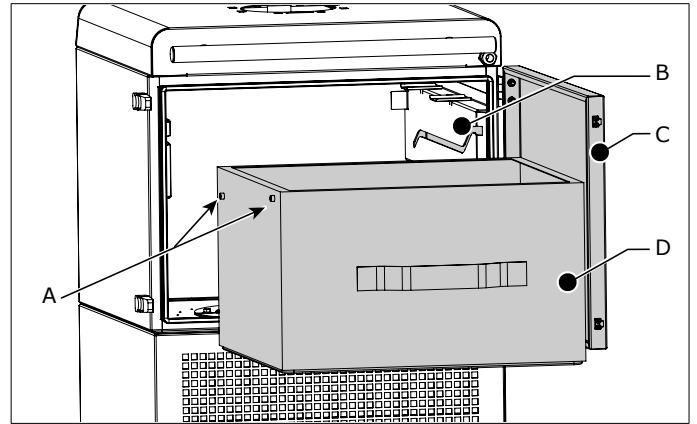


Fig. 6.2 Sustitución del casete de filtro HEPA

### 6.3 Ajuste del brazo

Si el brazo de aspiración, o una parte del mismo, no se mantiene en la posición deseada, deberá ajustar la fricción.

- Determine qué bisagra necesita más o menos fricción.
- Afloje la manguera en esa posición para acceder a la bisagra.
- Tire del brazo a una posición horizontal.
- Ajuste la fricción; véase Fig. V en la página 25 para los puntos de ajuste.

## 7 SUBSANACIÓN DE FALLOS

Si la unidad no funcionase o no lo hiciera de forma correcta, es posible que pueda subsanar el problema Vd. mismo con la ayuda de la tabla de chequeo que se da a continuación. En caso contrario, se ruega dirigirse a su proveedor.



### ¡ADVERTENCIA!

Observe las normativas de seguridad que están escritas en el capítulo 3 cuando lleve a cabo las siguientes actividades.

Señal	Problema	Posible causa	Solución
El ventilador no se pone en marcha	La unidad no funciona	No hay tensión de la red eléctrica	Conecte la tensión de red
			- Examine el ventilador y el motor para encontrar la causa y solucionar el problema - Pulse el botón rojo detrás del panel frontal para reiniciar. Véase Fig. IV en la página 24
		El cable eléctrico está defectuoso	Repare el cable eléctrico o sustitúyalo
		Contactos sueltos	Repare los contactos
		El motor está defectuoso	Repair or replace the motor

4. La flecha indica la dirección del flujo de aire.

5. La flecha indica la dirección del flujo de aire. Un casete de prefiltro colocado incorrectamente afecta negativamente a la vida útil del filtro.

Señal	Problema	Posible causa	Solución
El LED verde está encendido, pero el ventilador no funciona	La unidad no funciona	El relé está defectuoso	Sustituya el relé
		El relé térmico está defectuoso	Sustituya el relé térmico
		El motor está defectuoso	Repare el motor o bien sustitúyalo
El rendimiento de la aspiración es insuficiente	La unidad no funciona correctamente	La válvula reguladora de cierre de la campana del brazo de aspiración se ha cerrado (parcialmente)	Abra (completamente) la válvula
		Filtros obstruidos y conexión suelta del sensor de presión	Repare la conexión de los tubos de presión
		Filtros obstruidos y sensor de presión defectuoso	Sustituya el sensor de presión y el casete del prefiltro Sustituya también el casete de filtro HEPA
El indicador de servicio (DEL rojo) es encendido	El rendimiento de la aspiración es insuficiente	Casete de prefiltro obstruido	Sustituya el casete de prefiltro
		Casete de filtro HEPA obstruido	Sustituya el casete de filtro HEPA
El brazo de aspiración no se mantiene en la posición deseada	Escape de humos; no hay una aspiración correcta	El ajuste de fricción no es correcto	Ajuste la fricción; véase Fig. V en la página 25 para los puntos de ajuste
No logra que el brazo esté en la posición deseada			

## 9.2 Desechar



Elimine los contaminantes y el polvo, junto a los filtros usados, de una forma profesional conforme a la normativa nacional, regional o local.

## 8 ESQUEMA ELÉCTRICO

Consulte el esquema eléctrico ofrecido por separado.

## 9 DESECHAR

El desmantelamiento y la eliminación de la unidad lo deberán realizar personas cualificadas.

 	<p><b>Equipo de protección personal (EPP)</b> Lleve protección respiratoria y guantes protectores cuando desmantele y vacíe la unidad.</p>
--	--

### 9.1 Desmantelamiento

Para desmantelar la unidad de forma segura, observe las siguientes instrucciones.

Antes de desmantelar la unidad:

- desconéctela de la red
- limpie la parte exterior

Durante el desmantelamiento de la unidad:

- asegúrese de que el área esté suficientemente ventilada, p. ej. mediante una unidad de ventilación móvil

Después de desmantelar la unidad:

- limpie el área que se desmantela



Fig. I Dimensions

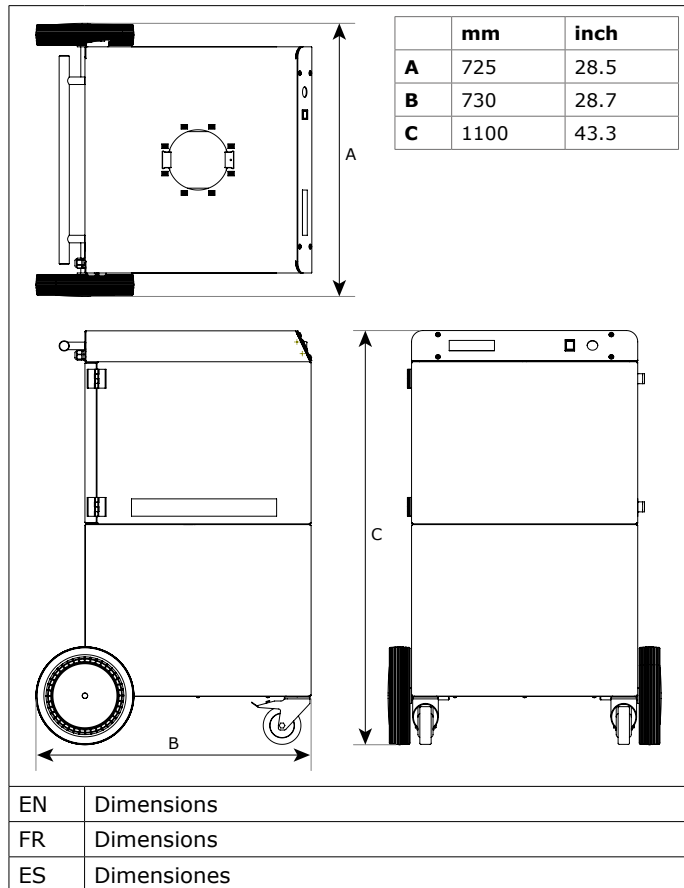


Fig. II Working range

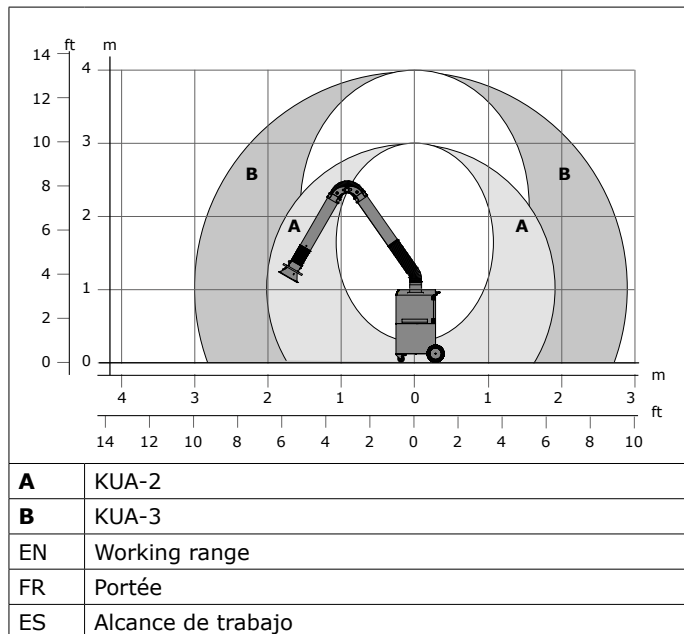


Fig. III Positioning of the extraction arm

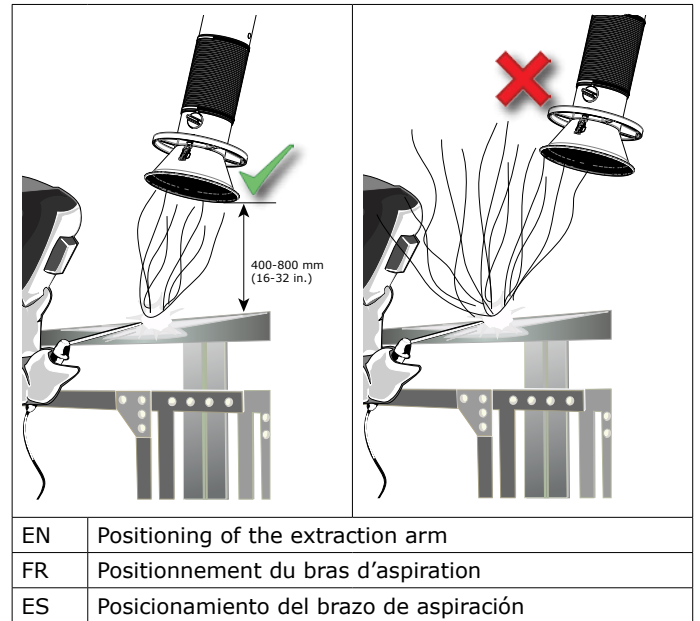


Fig. IV Reset

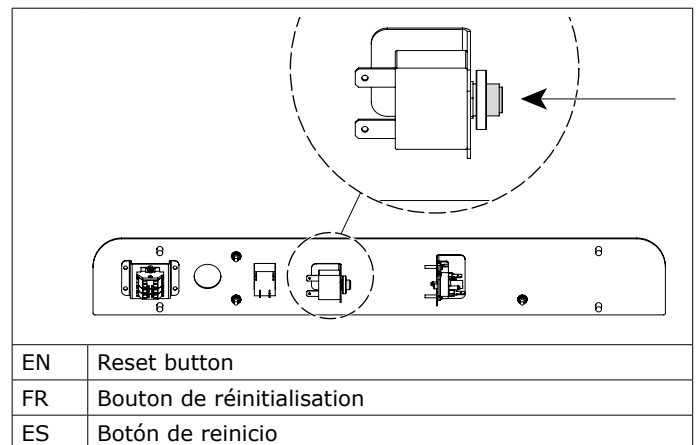
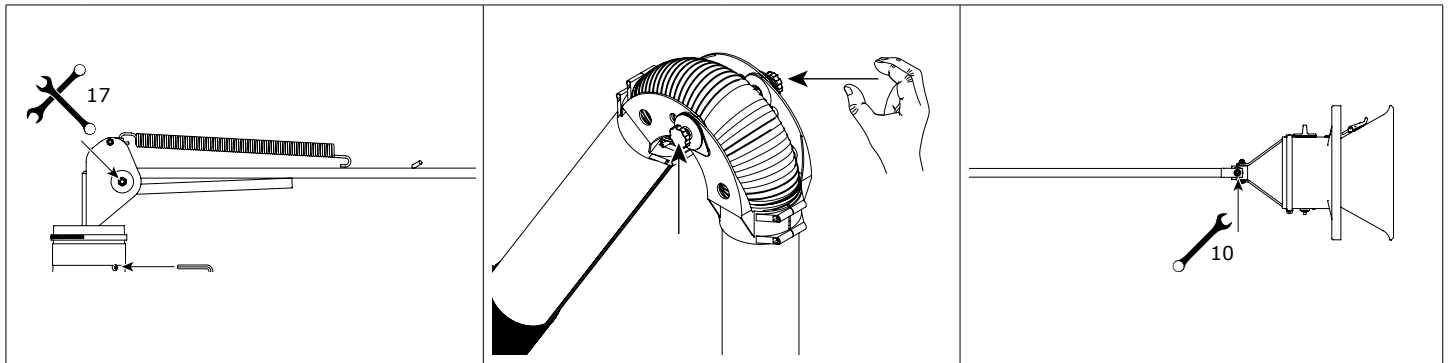
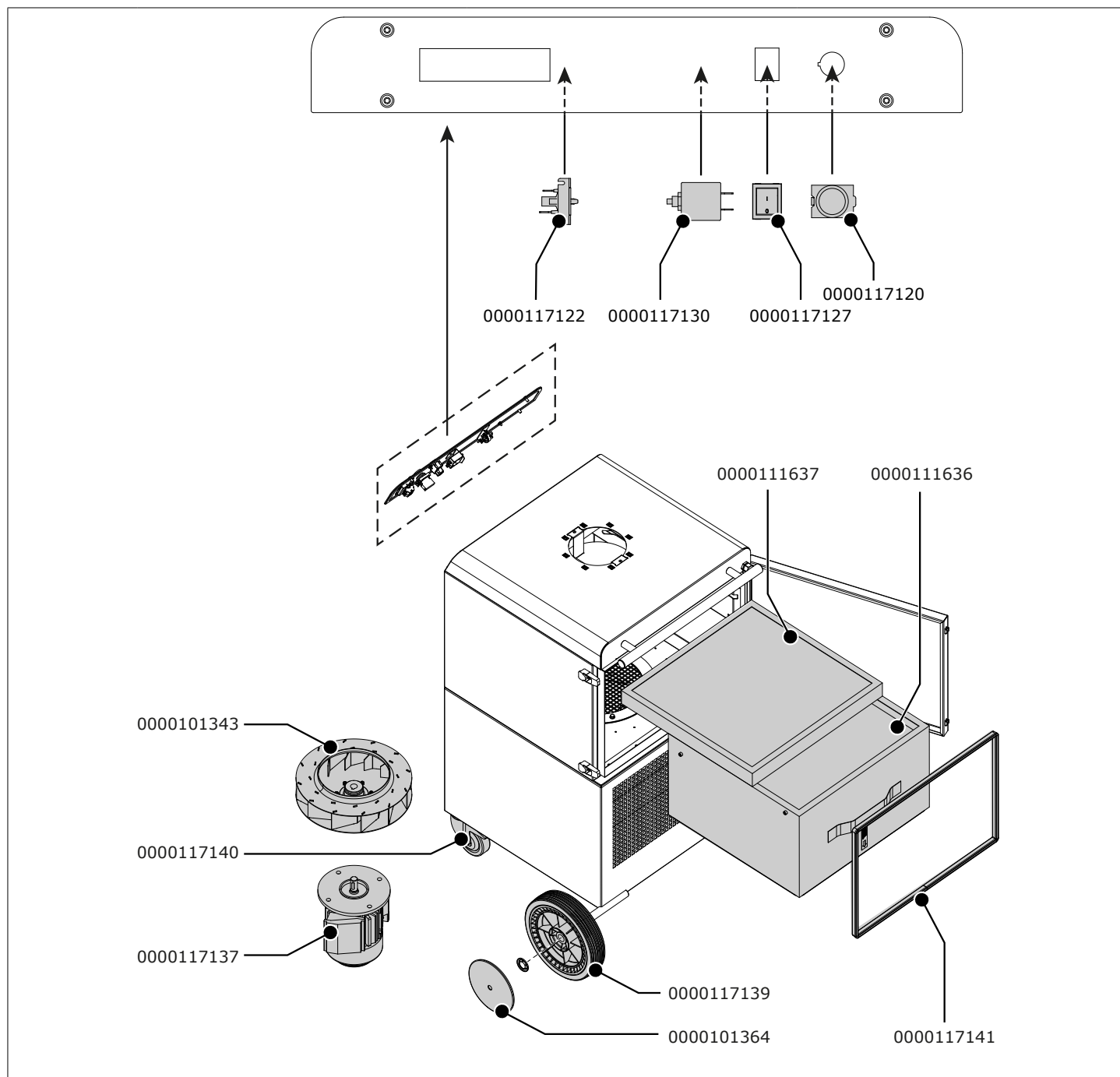


Fig. V Adjustment



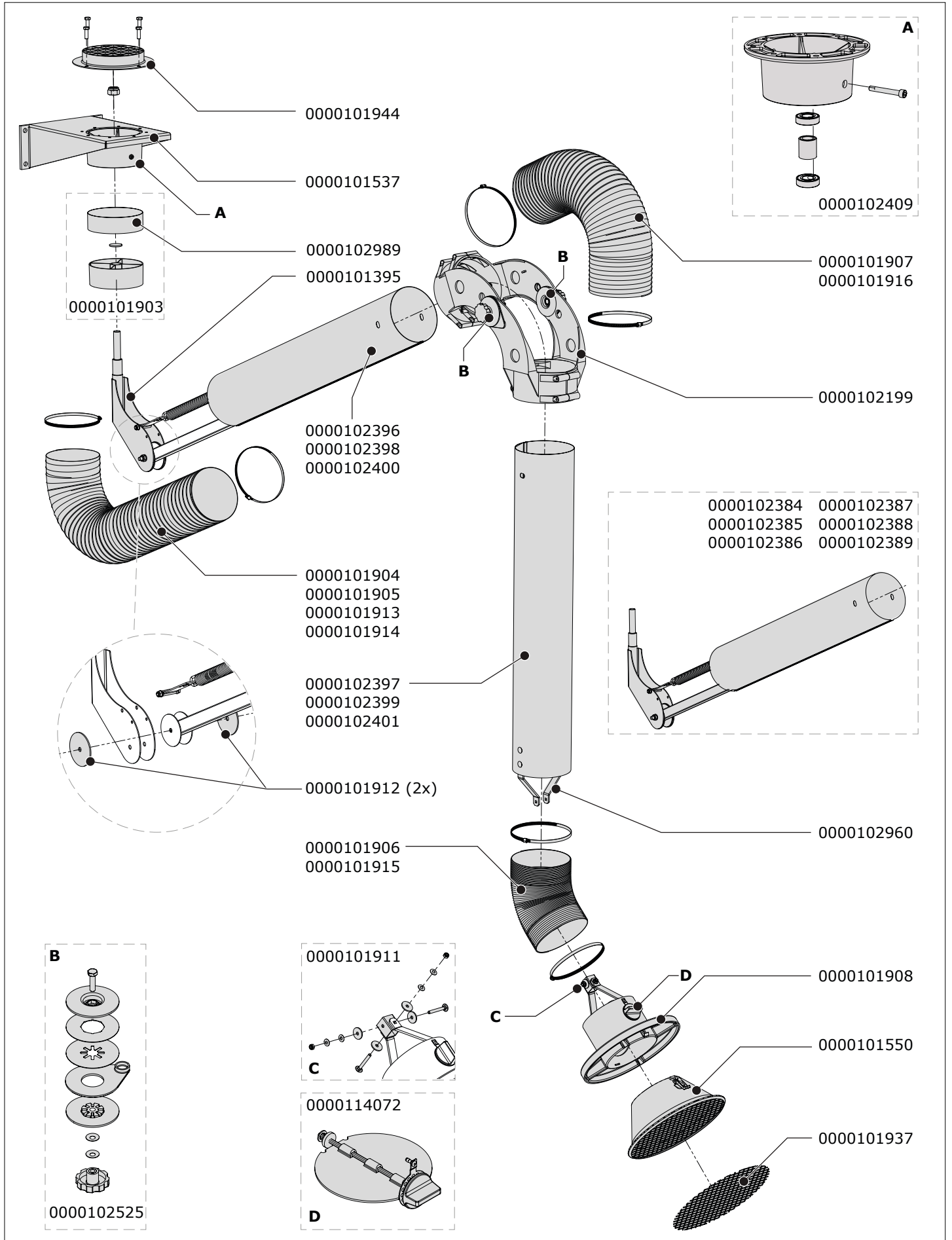
EN	Adjustment of the extraction arm   Adjustment points
FR	Réglage du bras d'aspiration   Points de réglage
ES	Ajuste del brazo de aspiración   Puntos de ajuste

Fig. VI Exploded view MobileGo<sup>plus</sup>



EN   Spare parts	FR   Pièces détachées	ES   Piezas de recambio
0000101343	Fan wheel 1,1kW/60Hz	Rueda de ventilador 1,1kW/60Hz
0000101364	Wheel covers grey (set of 2)	Cubiertas de rueda, gris (juego de 2)
000011636	HEPA filter cassette 26 m <sup>2</sup>	Casete de filtro HEPA 26 m <sup>2</sup>
000011637	Pre filter cassette 1 m <sup>2</sup>	Casete de prefiltro 1 m <sup>2</sup>
0000117120	Service indicator (red LED)	Indicador de servicio (DEL rojo)
0000117122	Pressure switch (UL)	Presostato (UL)
0000117127	Tumbler switch 0-1 (WB2 UL)	Interruptor basculante 0-I (WB2 UL)
0000117130	Circuit breaker UL	Disyuntor UL
0000117137	Motor 1,1 kW (IEC) 116-216	Motor 1,1 kW (IEC) 116-216
0000117139	Wheel Ø 250 mm	Rueda Ø 250 mm
0000117140	Swivel castor Ø 100 mm with brake	Rueda orientable Ø 100 mm con freno
0000117141	Sealing L=1,9 m for door GoLine	Sellador L=1,9 m por puerta GoLine

Fig. VII Exploded view KUA



	EN   Spare parts	FR   Pièces détachées	ES   Piezas de recambio
KUA	Metal tube arm	Bras métallique	Brazo de tubo metálico
0000101550	Hood with safety mesh	Hotte avec toile métallique	Campana con malla de seguridad
0000101903	Arm swivel ring, incl. rubber collar and washer	Joint tournant, manchon et rondelle inclus	Anillo de rotación de brazo, incl. cuello de goma y arandela
0000101906	Hose L=400 mm/Ø 161 mm, incl. 2 hose clamps	Tuyau L=400 mm/Ø 161 mm, 2 colliers de serrage inclus	Manguera L=400 mm/Ø 161 mm, incl. 2 abrazaderas
0000101907	Hose L=650 mm/Ø 161 mm, incl. 2 hose clamps	Tuyau L=650 mm/Ø 161 mm, 2 colliers de serrage inclus	Manguera L=650 mm/Ø 161 mm, incl. 2 abrazaderas
0000101908	Hood collar, incl. handle, damper and hood hinge	Collet pour hotte, poignée, obturateur et charnière de la hotte inclus	Cuello de campana, incl. asa, válvula y bisagra de campana
0000101911	Hood hinge, incl. mounting material	Charnière de la hotte, matériaux de raccordement inclus	Bisagra de campana, incl. material de montaje
0000101912	Friction plate 83x10x3 mm (set of 2)	Plaque de frottement 83x10x3 mm (jeu de 2)	Placa de fricción 83x10x3 mm (juego de 2)
0000101937	Safety mesh Ø 300 mm	Toile métallique Ø 300 mm	Malla de seguridad Ø 300 mm
0000101944	Connection flange with grid	Bride de connexion avec grille	Brida de conexión con rejilla
0000102199	Elbow joint	Articulation du coude	Bisagra central
0000102409	Rotating flange (ball bearing)	Bride rotative (à roulements à billes)	Brida giratoria (cojinete de bolas)
0000102525	Mounting kit for middle hinge	Jeu de montage pour articulation du coude	Kit de montaje para bisagra central
0000102960	Brackets outer tube (2 pcs)	Support (2 pcs) pour tube extérieur	Soportes tubo exterior (2 piezas)
0000102989	Rubber collar Ø 160 mm	Manchon Ø 160 mm	Cuello de goma Ø 160 mm
<b>KUA-2 (2 m)</b>			
0000101904	Hose L=850 mm/Ø 161 mm, incl. 2 hose clamps	Tuyau L=850 mm/Ø 161 mm, 2 colliers de serrage inclus	Manguera L=850 mm/Ø 161 mm, incl. 2 abrazaderas
0000102384	Inner frame KUA-2/H, complete	Châssis intérieur KUA-2/H, complet	Bastidor interior KUA-2/H, completo
0000102396	Inner tube KUA-2	Tube intérieur KUA-2	Tubo interior KUA-2
0000102397	Outer tube KUA-2	Tube extérieur KUA-2	Tubo exterior KUA-2
<b>KUA-3 (3 m)</b>			
0000101905	Hose L=1000 mm/Ø 161 mm, incl. 2 hose clamps	Tuyau L=1000 mm/Ø 161 mm, 2 colliers de serrage inclus	Manguera L=1000 mm/Ø 161 mm, incl. 2 abrazaderas
0000102385	Inner frame KUA-3/H, complete	Châssis intérieur KUA-3/H, complet	Bastidor interior KUA-3/H, completo
0000102398	Inner tube KUA-3	Tube intérieur KUA-3	Tubo interior KUA-3
0000102399	Outer tube KUA-3	Tube extérieur KUA-3	Tubo exterior KUA-3
<b>KUA-4 (4 m)</b>			
0000101905	Hose L=1000 mm/Ø 161 mm, incl. 2 hose clamps	Tuyau L=1000 mm/Ø 161 mm, 2 colliers de serrage inclus	Manguera L=1000 mm/Ø 161 mm, incl. 2 abrazaderas
0000102386	Inner frame KUA-4/H, complete	Châssis intérieur KUA-4/H, complet	Bastidor interior KUA-4/H, completo
0000102400	Inner tube KUA-4	Tube intérieur KUA-4	Tubo interior KUA-4
0000102401	Outer tube KUA-4	Tube extérieur KUA-4	Tubo exterior KUA-4

