

## REC-D

### RUBBER NOZZLE WITH SPRING CLIP AND DAMPER

The REC-D nozzle is highly suitable for Plymovent's fixed extractors and exhaust hose reels.

Recommended for today's trucks, private cars and especially vehicles with twin exhaust pipes. The REC-D is designed to take in ambient cooling air thereby reducing the exhaust emission temperature.

The nozzle is composed of moulded, high temperature resistant rubber. The REC-D is also equipped with an inner spring clip in order to strengthen the connection with the exhaust pipe and a manual on/off damper for flow control.

The nozzle also includes a CO-outlet for measuring emission values.



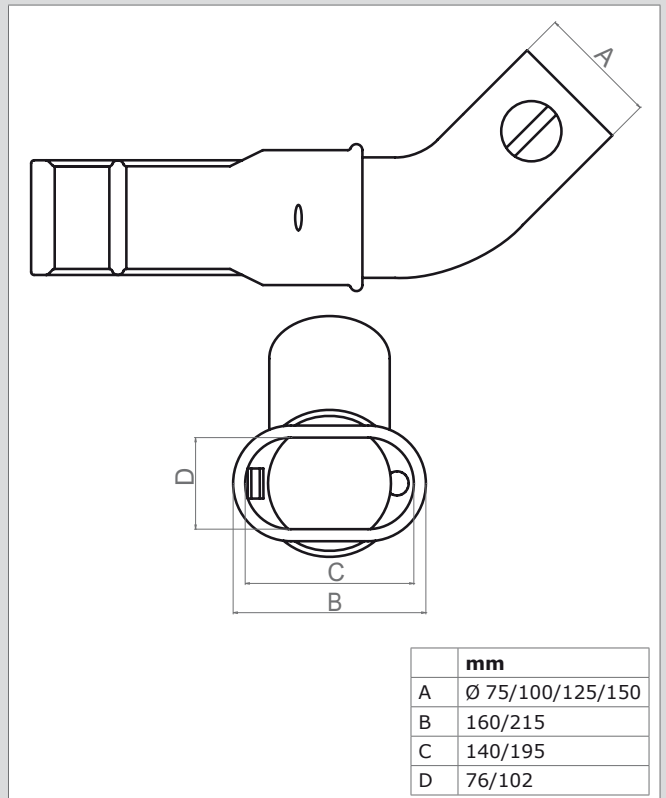
#### SPECIFICATIONS

■ Physical dimensions and properties	
Material	rubber
Colour	black
Temperature resistance	150°C/ 300°F continuously
■ Scope of supply	
REC-D Rubber nozzle with spring clip and damper - Exhaust pipe - Exhaust hose	
■ Order information	
Refer to remaining specifications	
■ Shipping date	
Gross weight	see remaining specifications
Harmonized Tariff Code	8421.39.8090
Country of origin	Sweden

#### REMAINING SPECIFICATIONS

Article number	Dimensions exhaust hose	Weight
90201-1011	Ø 75 mm/3"	1.10 kg
90206-1011	Ø 100 mm/4"	1.20 kg
90211-1011	Ø 100 mm/4"	1.60 kg
90216-1011	Ø 125 mm/5"	1.75 kg
90221-1011	Ø 150 mm/6"	1.90 kg

#### DIMENSIONS



Product type	<b>REC-D</b>
Article no.	refer to remaining specifications
Product category	Nozzles
Version	110711/0

Always check the latest version on [www.plymovent.com](http://www.plymovent.com).