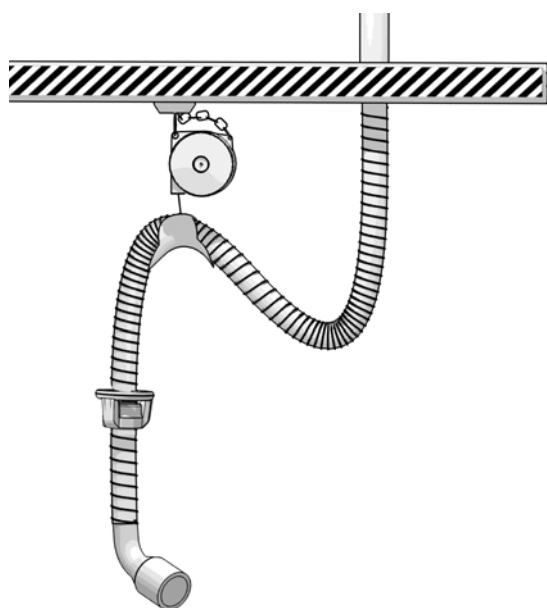


## SBT-Pneumatic

Sliding Balancer Track - Pneumatic Grabber®

## PRODUCT USER MANUAL

### contents



1. Important safety instruction .....	2
2. Introduction .....	2
3. Product description .....	2
4. Safety.....	3
5. CE declaration .....	4
6. Area of use.....	5
7. Delivery.....	6-9
8. Installation.....	10-26
9. Installation trimming procedure .....	27-32
10. Maintenance instructions .....	33-34
11. Cleaning and FAQ.....	35
12. Disposal .....	35
13. Spare parts.....	36-39



Thank you for buying a Plymovent product. Before you unpack and put it into operation please read this product manual carefully, and follow the instructions.

This manual should be handed over and kept by the service department after the installation.

#### International Sales

Plymovent AB  
Kopparbergsgatan 2  
SE-214 44 MALMÖ  
SWEDEN  
Tel: +46 40 30 31 30  
Fax: +46 40 30 31 40

#### England

Plymovent Ltd  
Marley Way, Southam Road  
Banbury, OX16 2RA, England  
Tel: + 44 1295 25 93 11  
Fax: + 44 1295 27 17 50  
info@plymovent.co.uk

#### Canada

Plymovent Inc  
24- 1200 Aerowood Dr  
Mississauga, On L4W 2S7, Canada  
Tel: +1 (905) 564-4748  
Fax: +1 (905) 564-4609  
info@plymovent.ca

#### USA

Plymovent Corp.  
115 Melrich Road  
Cranbury, New Jersey 08512, USA  
Tel. + 1 609 395 3500  
Fax. + 1 609 655 0919  
info@plymovent.com

## I. IMPORTANT SAFETY INSTRUCTIONS

Please read these instructions before installing the Sliding Balancer Track (hereafter called SBT) system. This will help you obtain the full benefit from the exhaust removal system you have selected.

- A. Read the Product user manual and Safety Instructions carefully. Failure to follow these instructions could cause a malfunction in the system or unsatisfactory performance.
- B. Follow a regular service and maintenance schedule for efficient operation.


## PREFACE


### Using this manual


This manual is intended to be used as a work of reference for professional, well trained and authorized persons / user's to be able to safely install, use, maintain and repair the product mentioned on the cover of this document.

### Pictograms and symbols

The following pictograms and symbols are used in this manual:

	<b>ATTENTION</b> A remark with additional information for the user. A remark brings possible problems to the user's attention.
--	--

	<b>CAUTION!</b> Procedures, if not carried out with the necessary caution, could damage the product, the workshop or the environment.
---	--

	<b>WARNING!</b> Procedures which, if not carried out with the necessary caution, may damage the product or cause serious personal injury.
---	--

	<b>WARNING!</b> Denotes risk of electric shock.
---	--

	<b>WARNING!</b> Important warning to prevent fire.
---	---

### Service and technical support

For information about specific adjustments, maintenance or repair jobs which are not dealt with in this manual, please contact the supplier of the product. He / she will always be willing to help you.

Make sure you have the following specifications at hand:  
- The SBT Pneumatic product user manual

## 2. INTRODUCTION

### 1.1 Identification of the product

The SBT system is made up out of various different parts which together form the SBT-Exhaust Removal System. All these individual parts can be traced back to this product user manual.

## 3. PRODUCT DESCRIPTION

The SBT system consists of a number of parts of which the Plymovent yellow and black extraction hose assembly is most visible to the user.

The extraction hose has a Safety Disconnect Coupling built in, this to protect the system against misuse. The hose is positioned in the Saddle which connects to the balancer. The balancer is connected to the aluminium track via a special trolley. This enables the balancer to move inside the aluminium profile which is positioned above and to the tailpipe side of the vehicle.

The aluminium profile is designed to a three (3) section principle of which two (2) sections have open areas, one on the underside and one on the overside. The overside open area is used for positioning the support legs, duct and exhaust hose connector and the release valve. The underside open area is used for positioning the end stops and for the sliding the trolley.

Method of use:


An automatic, pneumatic controlled exhaust gas extraction system, specially designed for fire and rescue vehicles with low level, side exhaust pipes. The system is used to remove the poisonous petrol and diesel gas fumes direct at the emission source, the exhaust pipe.

When the vehicles are on their way out of the station, the extraction hose, connected to the exhaust by a special device called a Grabber®, moves along with the vehicle.

Poisonous diesel gases pass from the Grabber®, up the extraction hose and into the ducting and extraction fan before escaping to the atmosphere.

As the vehicles drive out through the doors, the trolley moves over a release valve on the track, which releases the air pressure in the Grabber® allowing it to disconnect the exhaust pipe.

On the return of the vehicle to the station, The SBT Pneumatic Grabber® is easily re-connected to the exhaust pipe. At the same time the fan automatically starts up and the vehicle continues to its standard park position.

	<b>WARNING!</b> The use of exhaust removal hose is allowed for: - Moving of diesel-vehicles in- or out halls / stations. - Short time maintenance work of diesel-vehicles, but only if the engine is running on the minimum rpm. - The vehicle must leave and enter the station with a modified speed in order to avoid damage to the system and possible injury to people.
---	---

## 4. SAFETY

### General

The manufacturer does not accept any liability for damage to the product or personal injury caused by ignoring of the safety instructions in this manual, or by negligence during installation, use, maintenance, and repair of the product mentioned on the cover of this document and any corresponding accessories.

Specific working conditions or used accessories may require additional safety instructions. Immediately contact your supplier if you detect a potential danger when using the product. The user of the product is always fully responsible for observing the local safety instructions and regulations. Please observe all applicable safety instructions and regulations.

### User manual

- Everyone working on or with the product, must be familiar with the contents of this manual and must strictly observe the instructions herein. The management should instruct the personnel in accordance with the manual and observe all instructions and directions given.
- Never change the order of the steps to perform.
- Always keep the manual with or near the product.

### Pictograms and instructions on the product (if present)


- The pictograms, warning and instructions attached to the product are part of the safety features. They must not be covered or removed and must be present and legible during the entire life of the product.
- Immediately replace or repair damaged or illegible pictograms, warnings and instructions.


### Users

- The use of this product is exclusively reserved to authorized, trained and qualified users. Temporary personnel and personnel in training can only use the product under supervision.
- Use common sense. Stay alert and keep your attention to your work. Do not use the product when you are under the influence of drugs, alcohol or medicine.
- The product is not designed to be installed or operated by persons with limited physical, sensory or mental issues and / or limited knowledge of the system, the trained person is responsible to supervise the operation and give possible directions.
- Be aware that no person is within a range of 1 (one) meter besides the vehicle when it leaves the station, and no persons are allowed in the station entrance, to avoid injury.
- The system is not to be played with.

### Intended use (I)

The product has been designed as an exhaust removal system using the Grabber® coupling system. Using the product for other purposes is considered contrary to its intended use. The manufacturer accepts no liability for any damages or injury resulting from such use. The product has been built in accordance with state-of-the-art standards and recognized safety regulations. Only use this product when in technical perfect condition in accordance with its intended use and the instructions explained in the user manual.

WARNING	
	Do not attempt installation of this system unless you are familiar with the necessary tools, equipment, utility connections and potential hazards. Installation should be performed only by a qualified service provider. Failure to do so could result in reduced performance of the unit, serious personal injury or death.

WARNING	
	<b>PRODUCT MAY CONTAIN SHARP EDGES</b> Use care when servicing and installing the system. Failure to do so could result in minor personal injury.

### Technical specifications

The specifications given in this manual must not be altered. If the hose (air supply of suction hose) is damaged please contact your supplier for service. When the air supply hose is broken, disconnect the system from the pressurized air system and call your supplier.


### Modifications



Modifications of (parts of) the system / product is not allowed.

### Product combinations

When the product is used in combination with other products or machines the safety instructions in this manual will remain valid as well as the safety instructions in the manuals of the other combined products.

(I) The "intended use" in accordance with EN 12100-1 is the use of the technical product in accordance with the manufacturer's description including its statements in the sales brochure. In case of doubt, this is of use, which can naturally be derived from the design, construction and operation of the product. Intended use also includes compliance with the instructions in the manual.

WARNING!	
	<b>FIRE HAZARD!</b> Never use the product for: Extraction i.e. filtering of cigarettes, cigars, oil rags or any other burning particles, objects or acids.

CAUTION!	
 	Please apply and use the pre-described and normal personal protection devices during installation and during service of the system in order to avoid injuries. This also applies to the persons who enter the work area during installation or service activities.

## Installation

- The installation of the products should only be performed by trained and authorised persons. For other persons and to be trained persons the products should only be handled under supervision of a responsible and authorised person when installing.
- Please use appropriate lifting materials and equipment when working in an area over 2m / 6.5 feet.
- Please ensure that, on the side of the vehicle where the system is installed, no persons are present in an area of 1 (one) meter under and / or around the SBT system and / or between the vehicle and the entry / exit door when the vehicle exits the building. This way possible injuries can be avoided by a possible backwards motion of the Grabber® in the direction of the station and park position.
- Never install the product in front of entries, exits or passage ways which are to be used by emergency services.
- Check before installation if the structure of the wall / roof is stable enough to hold the components which are to be attached to it.
- Use common sense. Stay alert and keep your attention to your work. Do not use the product when you are under the influence of drugs, alcohol or medicine.
- Air, which might contain health hazardous components, such as chrome, Nickel, Beryllium, Cadmium, Lead etc. should never be recycled. This type of air must always be removed from the working area.

## Use

- Inspect the product and check for damages. Verify the functioning of the safety features.
- Check the working area. Please keep unauthorised persons away from the working area.
- Protect the product against water and humidity.
- Make sure the room is always sufficiently ventilated; this applies especially to confined spaces.
- Make sure that the workshop, in the vicinity of the product, contains sufficient approved fire extinguishers if any electronics, such as control boxes, are used.
- The user of the product always has full responsibility for the correct execution of the safety guidelines and instructions. These are all the safety guidelines and instructions which apply to the use of the system.

## Service, maintenance and repairs

- Observe the maintenance intervals given in this manual. Overdue maintenance can lead to high costs for repair and revisions and can render the guarantee null and void.
- Always use tools, materials, lubricants and service techniques which have been approved by the manufacturer. Never use worn tools and do not leave any tools in or on the product.
- Safety features which have been removed for service, maintenance or repairs, must be put back immediately after finishing these jobs and it must be checked that they still function properly.
- Please ensure that no vehicle enters or exits the station during the service, maintenance and repair activities.

## Tools

These tools are needed to install the Plymovent System:

- Power drill
- Battery operated power drill
- Allen key set
- Phillips screwdriver set
- Measuring tape

Please note that additional tools and machines may be needed depending on the installation situation (installation height, space available etc).

## 5. CE DECLARATION

### CE declaration of conformity for machinery

"We, Plymovent, Kopparbergsgatan 2, SE-214 44 Malmö, Sweden, herewith declare, on our own responsibility, that the product(s):

- Sliding Balancer Track System


is/are in conformity with the following harmonized standard(s) and/or other such normative documents + amendments, if any:


DIN 14572:2002  
DIN 31000/A1:2007  
DIN EN 12100-1/A1:2009  
DIN EN 12100-2/A1:2009  
ZEK 01.02-08

Alkmaar, the Netherlands, 18-06-2010



C.J.M. Knijn  
Chief Operations Officer

<b>ATTENTION!</b>	
	After shutting down the ventilation system wait minimal 10 seconds before handling the system and products when performing service, maintenance and / or repairs.

<b>ATTENTION!</b>	
	Service, Maintenance and Repair activities shall only be performed (in line with TRGS 554) by authorized, trained and qualified personnel taking into account the applicable working practices and safety regulations.



## 6. AREA OF USE

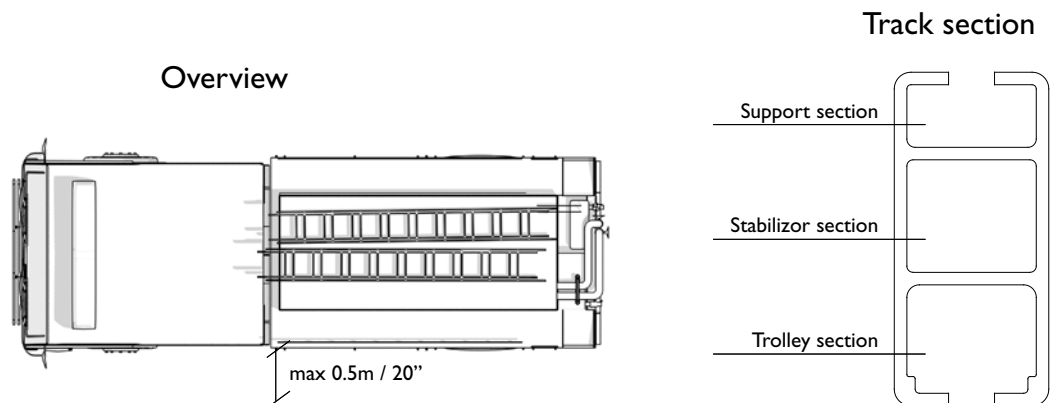
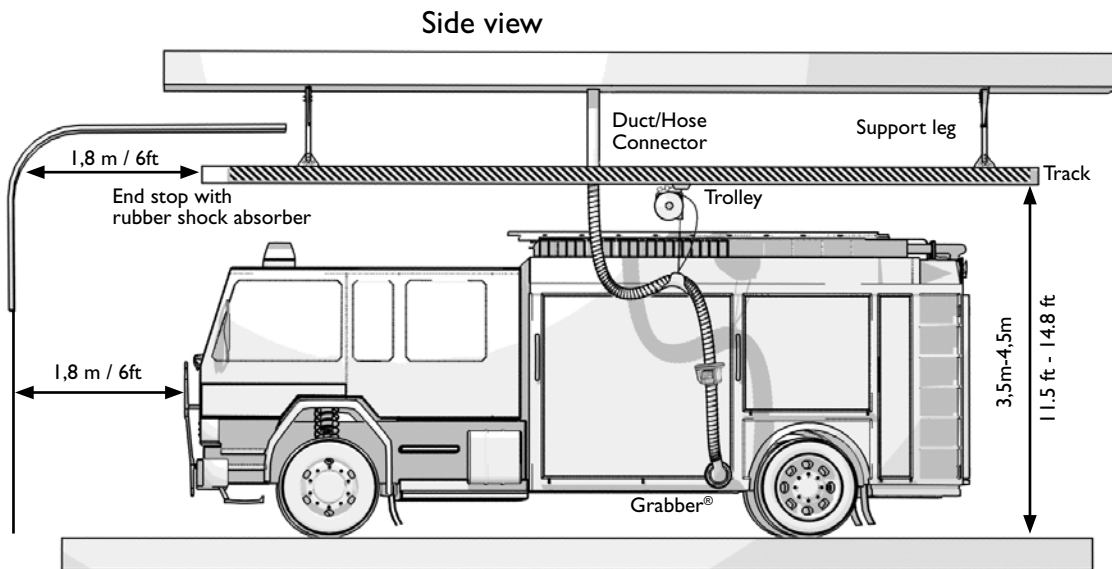
The SBT system is designed to be used in Fire- and Rescue Stations where there is one (1) vehicle parked behind the entry / exit door.

SBT is designed to handle exhaust gas temperatures of +150°C / 302F (short time +170°C / 338F) and an air-pressure of max 8,0 bar.  
USA hose is 400°F continuous and 500°F intermittent.

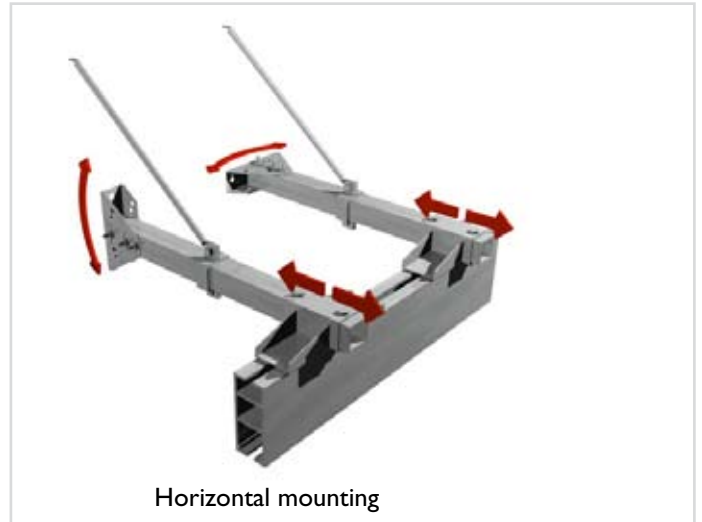
Only activate the Grabber® when placed on the tailpipe.

Do not bend over in the direction of the tailpipe when positioning the Grabber® to the vehicle. Exhaust gasses can enter the breathing zone of the user.

	<b>ATTENTION</b>
	The SBT System is designed to operate under standard vehicle performance conditions. Re-generation is not considered to be a standard vehicle performance condition.
	<b>WARNING!</b>
	- Do not put hands or other body parts in the Grabber®.



The track is delivered in parts together with a product manual. Fan, fan control device and compressed air supply need to be added individually depending on application.



The SBT, in all different versions, is built out of a few standard components which will be described in this section.

### Support leg

The aluminium support leg is used for both vertical and horizontal mounting. The standard length is 5790 mm / 19 feet and it has to be cut to proper lengths during installation.

The dimension of the support leg is 50x50x2,5 mm / 2x2x0.1 inch



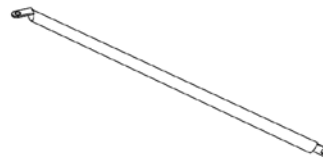
Prod. No. SBT-SL  
Art. Nr: 8120-1011

### Side brace

There are three different lengths available:

- 500 mm / 20 inch
- 750 mm / 30 inch
- 1800 mm / 70 inch

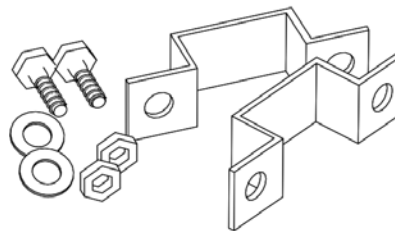
The brace can be mounted separately or in pairs using the same brackets.



Prod. No. SBT-SB-S, 500mm Art. Nr. 8140-1011  
Prod. No. SBT-SB-M, 750mm Art. Nr. 8141-1011  
Prod. No. SBT-SB-L, 1800mm Art. Nr. 8142-1011

**Side brace clamp kit**

The kit includes two aluminium brackets for one or two side braces.



Prod. No. SBT-SBCK

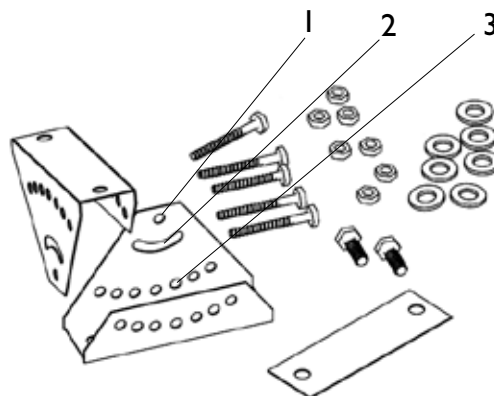
Art.No. 8130-1011

**Adjustable mounting kit (vertical)**

The two brackets are exactly the same. They can also be used if the roof is angled and they can be mounted in both directions. Maximum angle is 30 degrees.

In order to fasten the bracket to the support leg three through holes have to be drilled. Start by drilling hole "1" and "2".

Then adjust the bracket to an exact position and fix it by drilling a third hole "3", using the most centred hole from the top row.



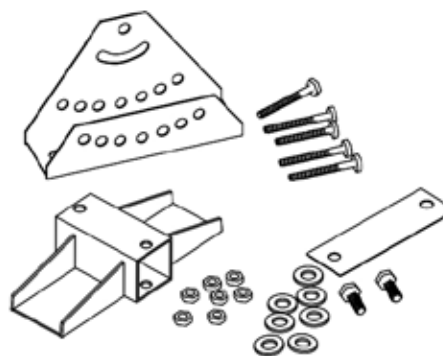
Prod. No. SBT-MKV

Art. No. 8150-1011

**Adjustable mounting kit (horizontal)**

The bracket that shall be used against the wall is the same as for the vertical kit (see above) but on the track side there is a new bracket which is adjustable in relation to the support leg.

When the bracket is fixed in the right position two through holes in the support legs two holes are drilled through the support leg using the bracket as a template.



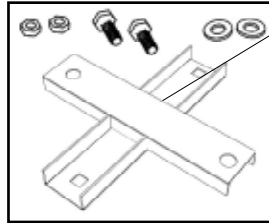
Prod. No. SBT-MKH

Art. No 8160-1011

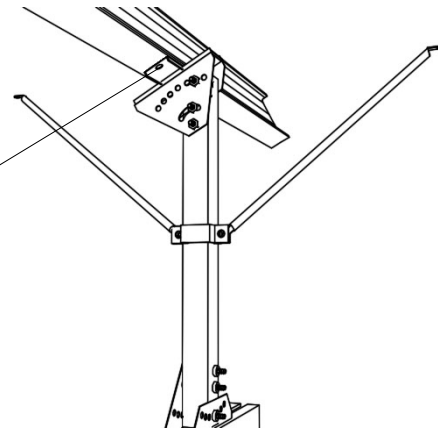


### Universal mounting cross

The cross can be used if the wall or roof is angled but the only available beam is going in the "wrong" direction for the standard bracket. The position of the cross is between the bracket and the wall.



Prod. No. SBT-UMC  
Art. No 8170-1011

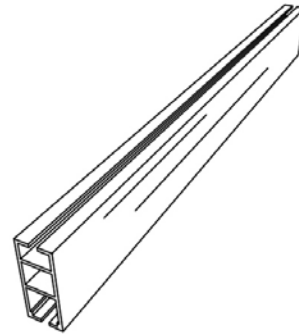


### SBT Track

The SBT track is delivered in 2 lengths:

SBT-Track 5790mm / 19 feet

SBT-Track 2895mm / 9.5 feet



Prod. No SBT-TRACK      Art. No. 8332-1011  
Prod. No. SBT-TRACK-1/2      Art. No. 8331-1011

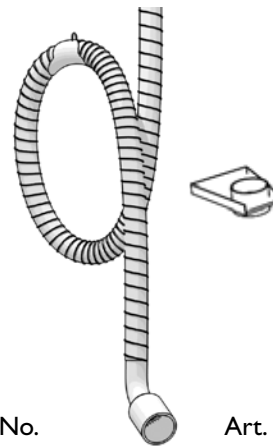
### Hose kit

There are 7 hose kits available which also contains the hose connector. Hose - Temp.resistance +150°C.

- Hose diameters are 100 mm / 4" or 125 mm/ 5"
- Length 6m / 19.6 feet or 10m / 33 feet
- Grabber® 120mm / 4.7" or 160mm/ 6.3"

The different hose packages which contain the following parts:

- Transition parts and regulator
- Exhaust removal hose (+150°C / 302 F)
- USA hose is 400°F continuous and 500°F intermittent.
- Hose saddle
- Safety disconnect
- MFD valve
- Teflon air hose with complete Grabber® nozzle
- Grabber® nozzle 100mm / 4" or 120mm / 5" or 160mm / 6.3 "

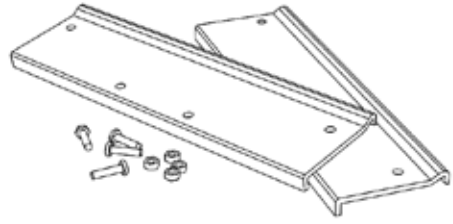


Prod. No.	Art. No.
SBT-HK-100-6-100	8215-1011
SBT-HK-100-6-120	8220-1011
SBT-HK-100-6-160	8225-1011
SBT-HK-100-10-120	8230-1011
SBT-HK-100-10-160	8235-1011
SBT-HK-125-6-160	8240-1011
SBT-HK-125-10-160	8245-1011



**Splicing sleeve**

If the track is longer than 5790 mm / 19 ft a splicing sleeve must be used.



Prod. No. SBT-Slice

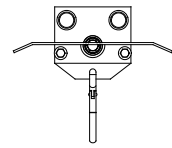
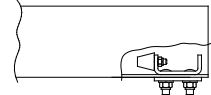
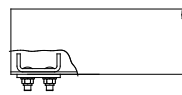
Art. No. 515633

**Common material**

Common materials that are always included are gathered under product no "SBT-KIT Pneumatic". Material included in the kit are:

- Release valve
- End stop
- Security tape marking
- Trolley
- Balancer
- Balancer locking cable

PLYMVENT®



Prod. No. SBT-KIT Pneumatic

Art. No. 8175-1011


**BACK-IN MEASUREMENT PROCEDURE**


Please determine the position of:

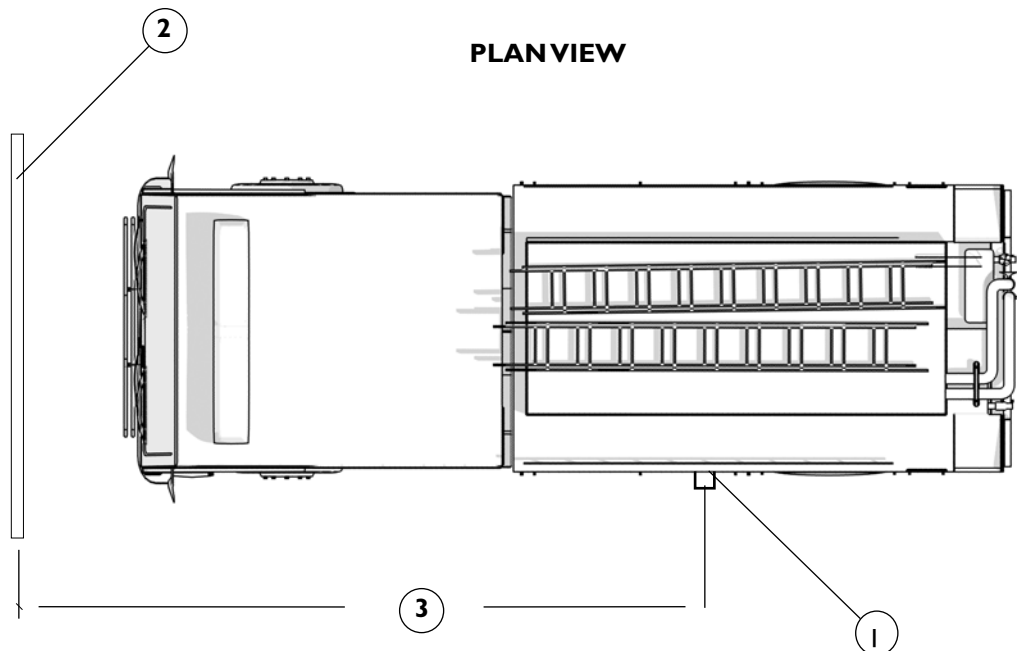
1. Exhaust pipe
  2. Gate / Exit door
  3. Distance Gate / Exit door vs the exhaust pipe
- 1) Determine the location of the exhaust pipe (1) on the vehicle; which side of the vehicle it is positioned on. i.e. where does the exhaust exit the vehicle and that diameter does the exhaust pipe have.
- 2) Measure the height and width of the gate (2).  
Check what type of gate:  
- Slidegate  
- Overhead gate  
- Other type  
Check at what height the track can be installed.
- 3) Measure the distance between the gate and the exhaust pipe (3), this is the required length of the SBT-track.

Check before installation that this is the minimum required length of the SBT in a vehicle back-in application situation.

The recommended distance from the end of the track to the door(s) is 1.8m. / 6 ft

	<b>WARNING</b>
	<b>PRODUCT MAY CONTAIN SHARP EDGES</b> Use care when installing and servicing the products. Failure to do so could result in minor personal injury.

	<b>CAUTION</b>
	Be sure to order the right Grabber® dimension. If an incorrect version is used on the tailpipe, the system could be damaged (too small Grabber®) or will dysfunction (system will not be airtight, exhaust gasses can enter the premises)



**8.****INSTALLATION****DRIVE-THROUGH MEASUREMENT PROCEDURE**

Please determine the position of:

1. Exhaust pipe.
- 2.1 Entrance door.
- 2.2 Exit door.
3. Distance between Entrance door / Exit door.

1) Determine the location of the exhaust pipe (1) on the vehicle; which side of the vehicle it is positioned on. i.e. where does the exhaust exit the vehicle and that diameter does the exhaust pipe have.

2.1) and 2.2)  
Determine the gate height and width.

Check what type of gate:


- Slidegate
- Overhead gate
- Other type


Check at what height the SBT-track can be installed.

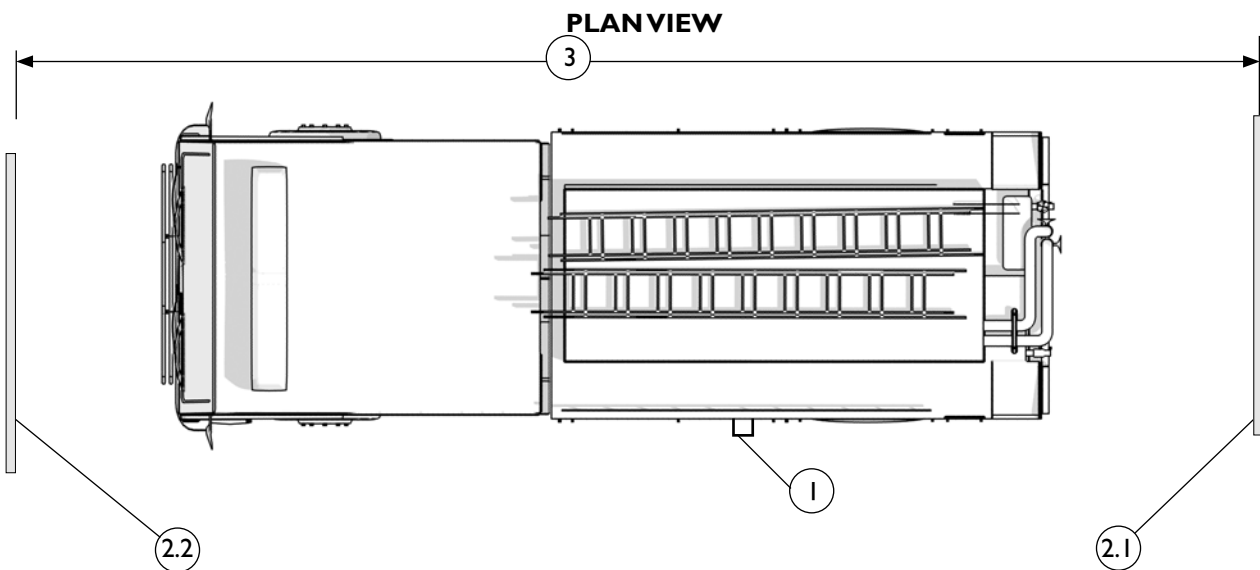
3) Measure the distance between the gate and the exhaust pipe (3), this is the required minimal length of the SBT-track.

Check before installation that this is the minimum required length of the SBT in a vehicle back-in application.

The recommended distance from the end of the track to the door(s) is 1.0m / 3.3 ft

	<b>WARNING</b>
	<b>PRODUCT MAY CONTAIN SHARP EDGES</b> Use care when servicing unit. Failure to do so could result in minor personal injury.

	<b>CAUTION</b>
	Be sure to order the right Grabber® dimension. If a incorrect version is used on the tailpipe, the system could be damaged (too small Grabber®) or will dis-function (system will not be airtight, exhaust gasses can enter the premises)



## SBT-TRACK LOCATION PROCEDURE


1. SBT-Profile
2. Exhaust pipe
3. Door
4. Height of track
5. Distance to vehicle
6. The longitudinal track


The SBT-track (1) is mounted at a height (4) between 3,5m / 11.5 ft and 4,5m / 15 ft over the floor on the side where the vehicles exhaust pipe (2) is situated.

The track is often mounted immediately under a sectional door (3) with a clear height from the track to the door of 100mm / 4" to 150 mm / 7".

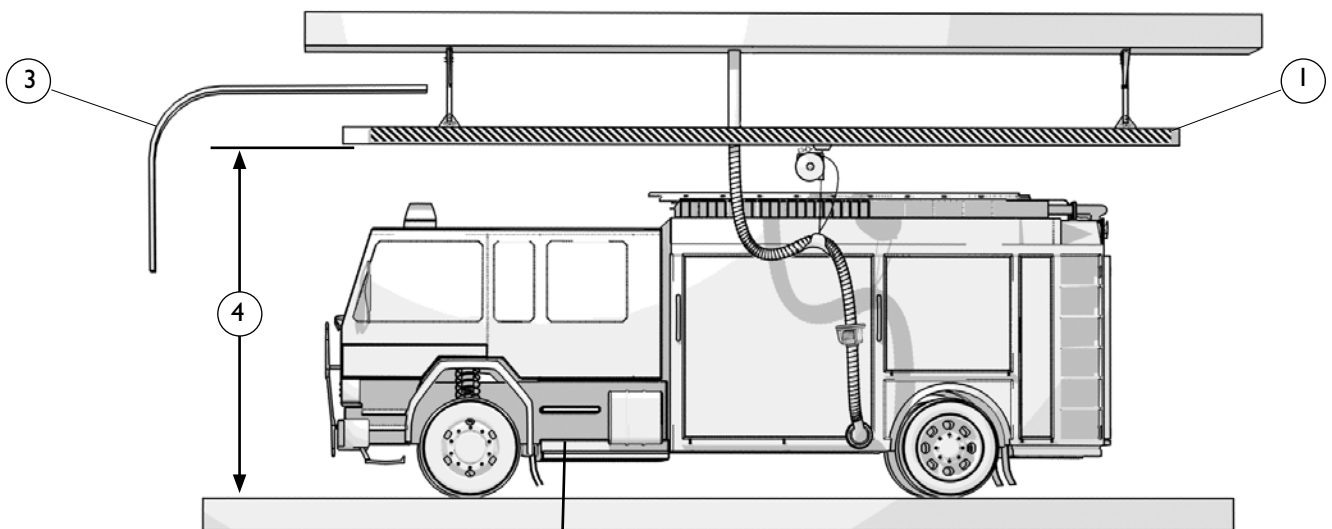
The SBT-track is placed 160mm / 6.3" to 508mm / 20" (5) from the truck-side of the vehicle.

The recommended distance from the end of the track to the door(s) (6) is 1.0m / 3.3 ft

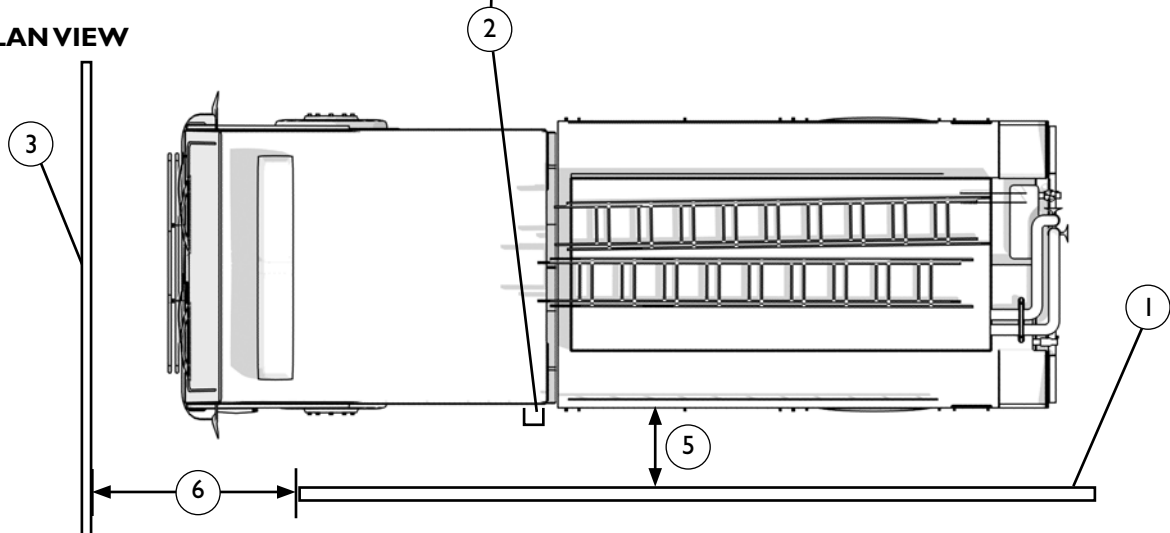
WARNING	
	<b>PRODUCT MAY CONTAIN SHARP EDGES</b> Use care when servicing unit. Failure to do so could result in minor personal injury.

CAUTION	
	Be sure to order the right Grabber® dimension. If a incorrect version is used on the tailpipe, the system could be damaged (too small Grabber®) or will dis-function (system will not be airtight, exhaust gasses can enter the premises)

## ELEVATION VIEW



## PLAN VIEW



**VERTICAL SUPPORT LOCATION**


1. Front support:
2. Rear support:
3. Additional support(s)


1) The position of the front support (1) is determined first.


The door is the initial point for the location of this. An open door requires a margin of 50mm / 2" for the support. Next to this the distance from the front support to the start of the profile should be not larger than 1,5m / 5 feet. If this is not possible please use a wall mounting bracket to attach the front solidly.

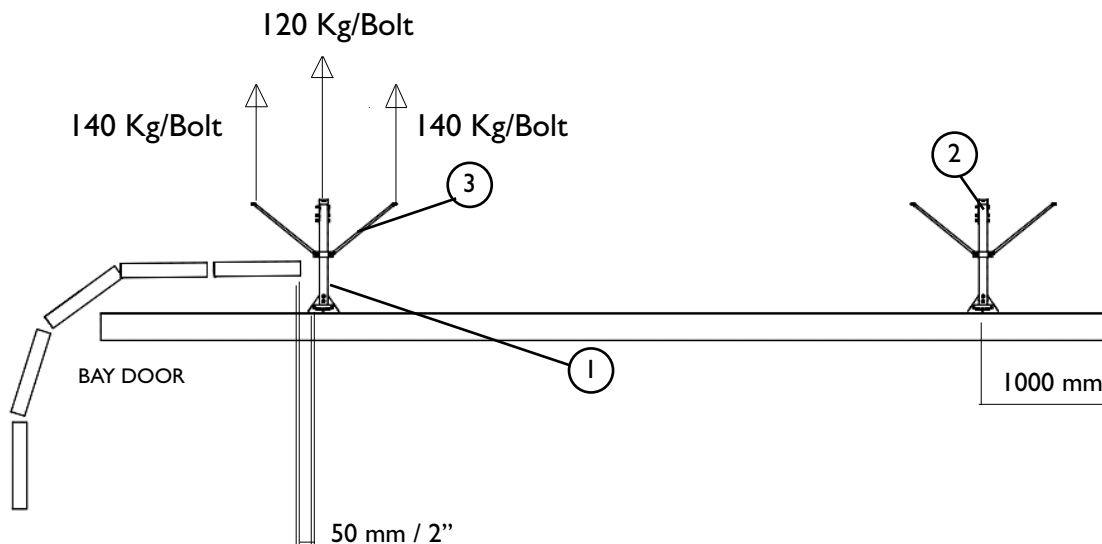
2) The rear support (2) is placed approximately 1000 mm / 40" from the rear of the SBT-profile.

3) Depending on the length of the SBT track additional supports have to be mounted. The normal distance between the supports is approximately 3 meter / 10 feet.

WARNING	
	<b>PRODUCT MAY CONTAIN SHARP EDGES</b> Use care when servicing unit. Failure to do so could result in minor personal injury.

ATTENTION!	
	See side view for minimum load capacity on the fixing bolts.

CAUTION	
	Before lifting the rail be sure that, the trolley is fixed in its place, using both end stops. This to avoid injury when trolley moves if the rail is uneven lifted.

**SIDE VIEW**

**WALL SUPPORT LOCATION PROCEDURE**


1. SBT-track
2. Support leg
3. Additional Brace


1) The position of the SBT track (1) is determined first. Please see to it that the profile is positioned within the gap of the open door. The door is the initial point for the location of this.

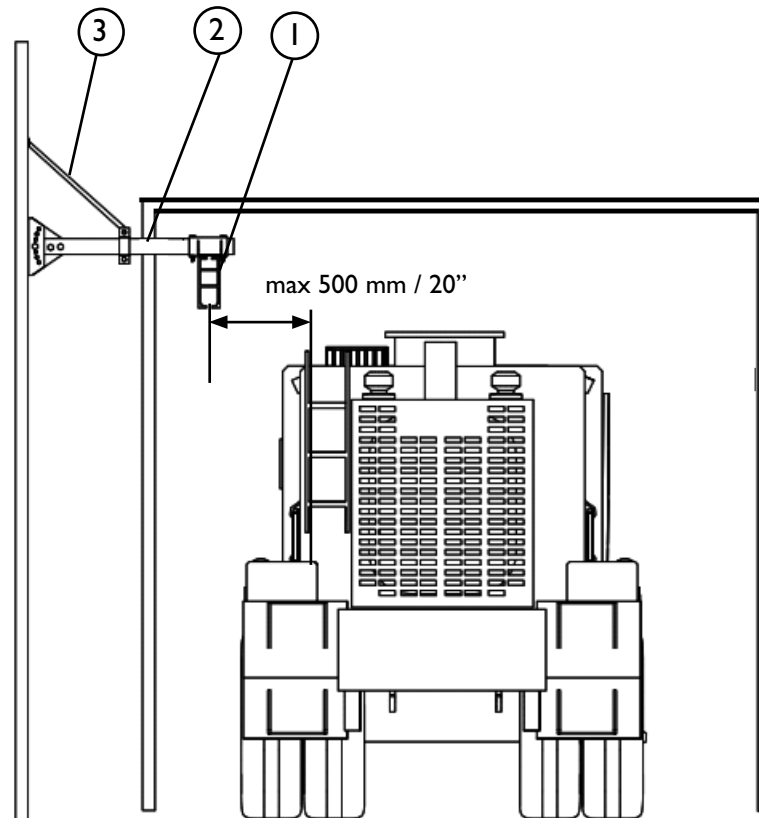
2) The support leg (2) is then measured versus the mounting position at the wall.

3) Depending on the length of the SBT track additional supports have to be mounted. The distance from the first installation bracket to the front and respectively the end of the rail should be minimal 1,5m / 5 feet.

The distance between the side of the truck (tailpipe) and the SBT profile should be maximal 500mm / 20 inch.

WARNING	
	<p><b>PRODUCT MAY CONTAIN SHARP EDGES</b> Use care when servicing unit. Failure to do so could result in minor personal injury.</p>

CAUTION	
	<p>Before lifting the rail be sure that, the trolley is fixed in its place, using both end stops. This to avoid injury when trolley moves if the rail is uneven lifted.</p>



## HOSE CONNECTION BACK-IN LOCATION PROCEDURE

1. SBT-Profile
2. Hose connection / connector
3. Distance from the door to exhaust pipe
4. Exit door
5. Exhaust pipe
6. Half the distance from exit door to exhaust pipe
7. Distance to hose connection is 600mm / 2' to 1200mm / 4'



## WARNING

PRODUCT MAY CONTAIN SHARP EDGES  
Use care when servicing unit. Failure to do so could result in minor personal injury.



## CAUTION

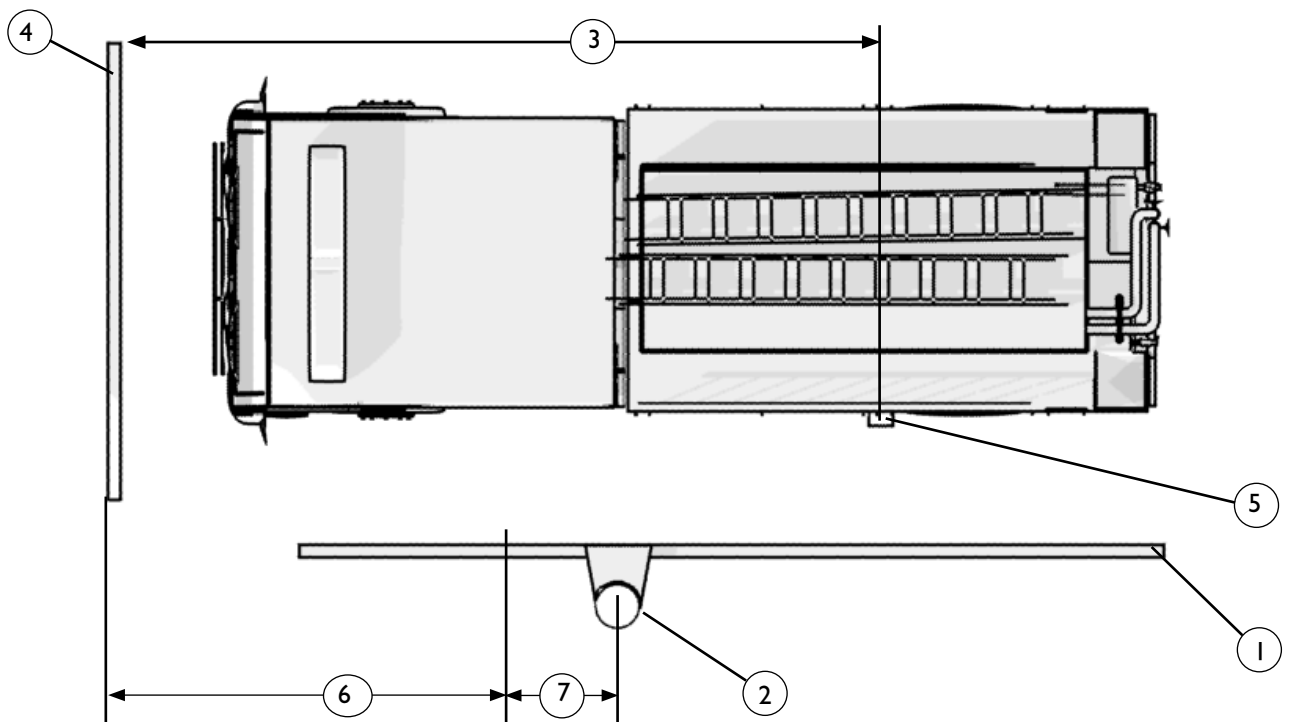
Before lifting the rail be sure that, the trolley is fixed in its place, using both end stops. This to avoid injury when trolley moves if the rail is uneven lifted.

- a) The hose connection (2) is positioned according to what side of the vehicle the exhaust pipe (5) is positioned on.
- b) The hose connection (2) is mounted on the SBT-track on the opposite side of the vehicle.
- c) The hose connection / connector (2) is placed at the point: calculated as followed:
  - Distance Exit door to exhaust pipe (3), divided by half (6), plus 500mm / 20 inch (7)

This is the position of the hose connection / connector (2) relative to the exit door. (4)

NOTE! It is important to have a margin on the hose length when driving in backwards please take this into account!

## PLAN VIEW







### HOSE CONNECTION DRIVE-THROUGH LOCATION PROCEDURE

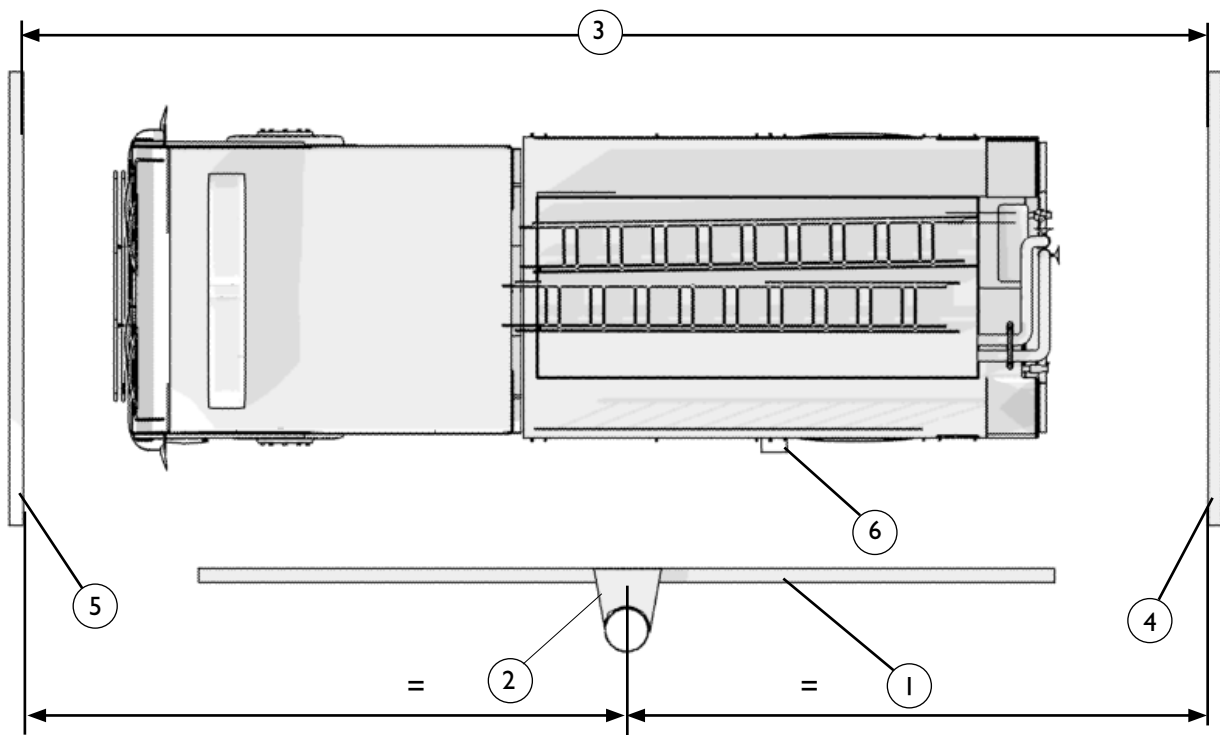
1. SBT-track
2. Hose connection
3. Distance entrance gate-exit gate
4. Entrance gate
5. Exit gate
6. Exhaust pipe

- a) The hose connection (2) is positioned according to what side of the vehicle the exhaust pipe (6) is positioned on.
- b) The hose connection (2) is mounted on the SBT-track on the opposite side of the vehicle.
- c) At a drive-through station the hose connection (2) shall be positioned on the SBT-track (1) at the half distance, between entrance gate (4) and exit gate (5).

	<b>WARNING</b>
	<b>PRODUCT MAY CONTAIN SHARP EDGES</b> Use care when servicing unit. Failure to do so could result in minor personal injury.

	<b>CAUTION</b>
	Before lifting the rail be sure that, the trolley is fixed in its place, using both end stops. This to avoid injury when trolley moves if the rail is uneven lifted.


### PLAN VIEW




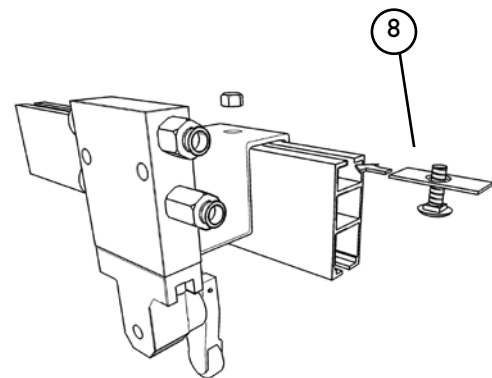
### SUSPENSION MOUNTING PROCEDURE

1. SBT-profile
2. Support leg
3. Mounting clamp
4. Carriage bolts M10x30 with washers and locking nuts
5. Bolts M10x70 with washers and locking nuts
6. Brackets
7. Upper Bracket
8. Disconnect valve bracket

- a) The support legs (2) are cut to proper lengths.
- b) The mounting clamp (3) with two M10x30 bolts (4) for the suspensions are inserted in the profile (1). Please observe you insert these into the correct side of the profile. Insert the Disconnect valve bracket (8) between the first and second suspension leg.
- c) The mounting clamp for the hose/pipe bracket, see "Hose connection mounting procedure" in this product user manual, is inserted in the profile.
- d) Drill two holes, in the support leg (2), one for the upper and one for the lower bracket (6). Mount the Brackets (6) to the support leg (2), the upper bracket can be adjusted by up to 30 degrees if needed.
- e) When the complete track (1) is adjusted correctly fix the brackets by drilling a second and a third hole through the brackets (5) into the support legs (2). Use the pre-drilled holes in the brackets (6) and fix tightly using the most centered holes.

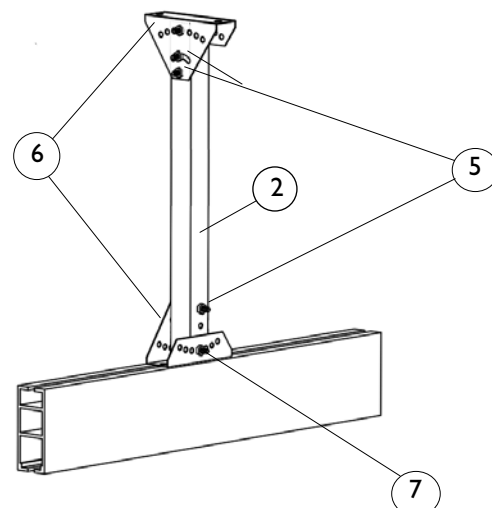
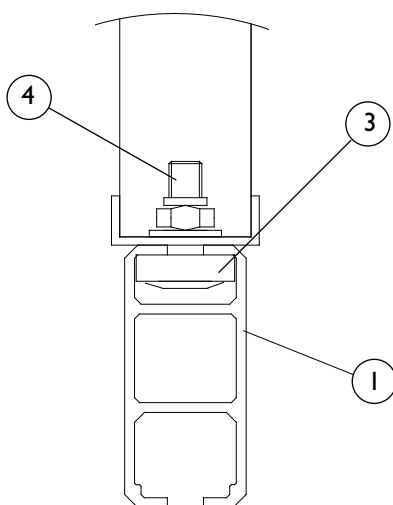
WARNING	
	<b>PRODUCT MAY CONTAIN SHARP EDGES</b> Use care when servicing unit. Failure to do so could result in minor personal injury.

CAUTION	
	Before lifting the rail be sure that, the trolley is fixed in its place, using both end stops. This to avoid injury when trolley moves if the rail is uneven lifted.



### SIDE VIEW


### BACK VIEW




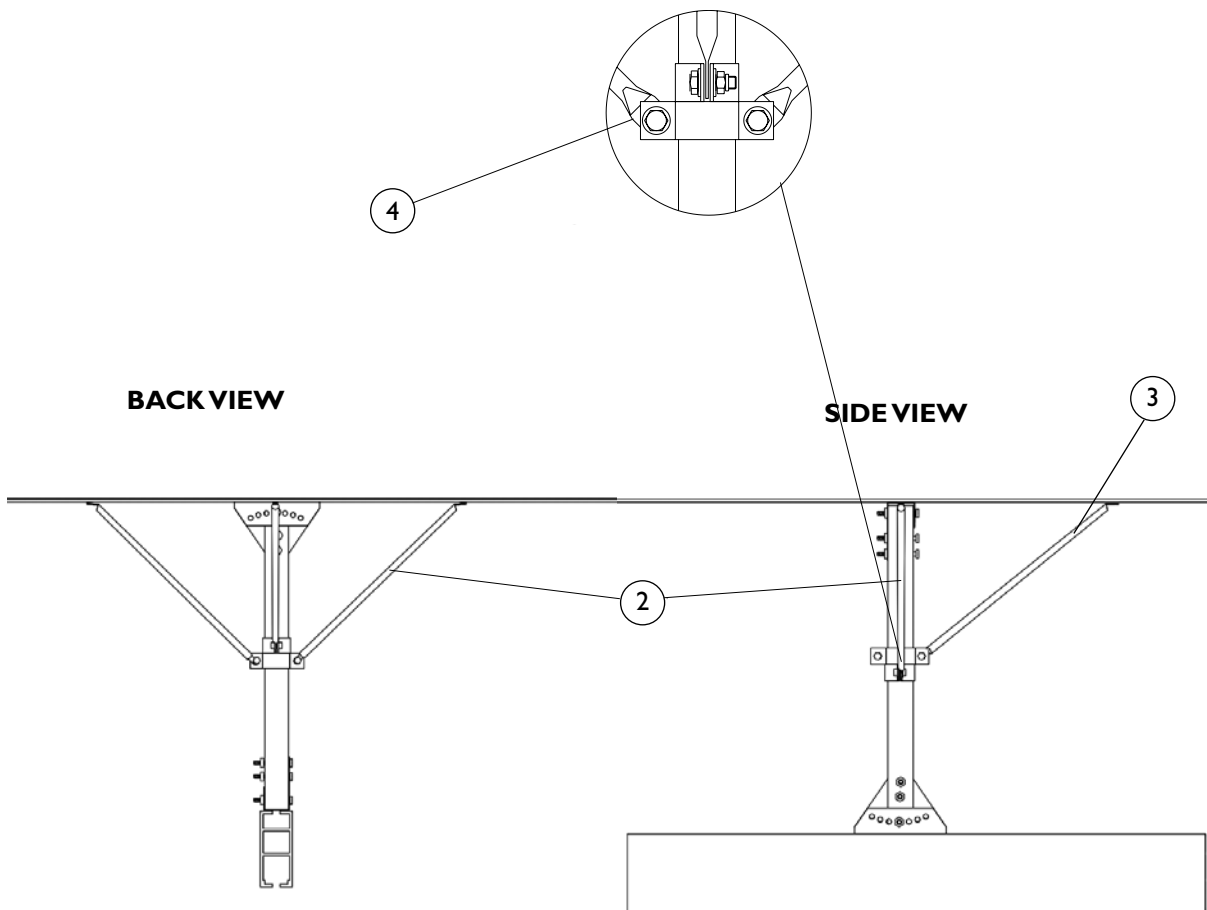
**SUPPORT LEG MOUNTING PROCEDURE**

1. SBT-Profile
  2. Side brace
  3. Longitudinal brace
  4. Bolts M10x20 and locking nuts
- a) Both side braces (2) are mounted on the same bracket.
- b) Longitudinal brace (3) is mounted in a separate bracket.

Use M10x20 and locking nut (4), check that the support is vertical before the bolts are fastened.

	<b>WARNING</b>
	<b>PRODUCT MAY CONTAIN SHARP EDGES</b> Use care when servicing unit. Failure to do so could result in minor personal injury.

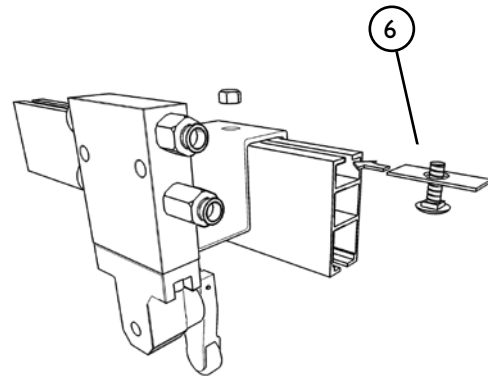
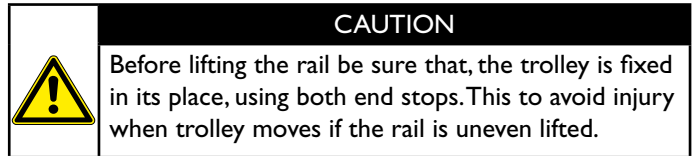
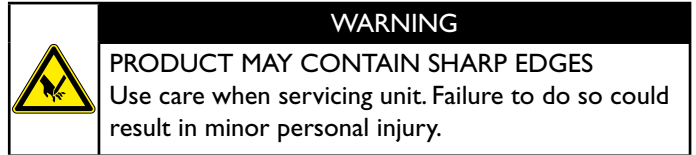
	<b>CAUTION</b>
	Before lifting the rail be sure that, the trolley is fixed in its place, using both end stops. This to avoid injury when trolley moves if the rail is uneven lifted.



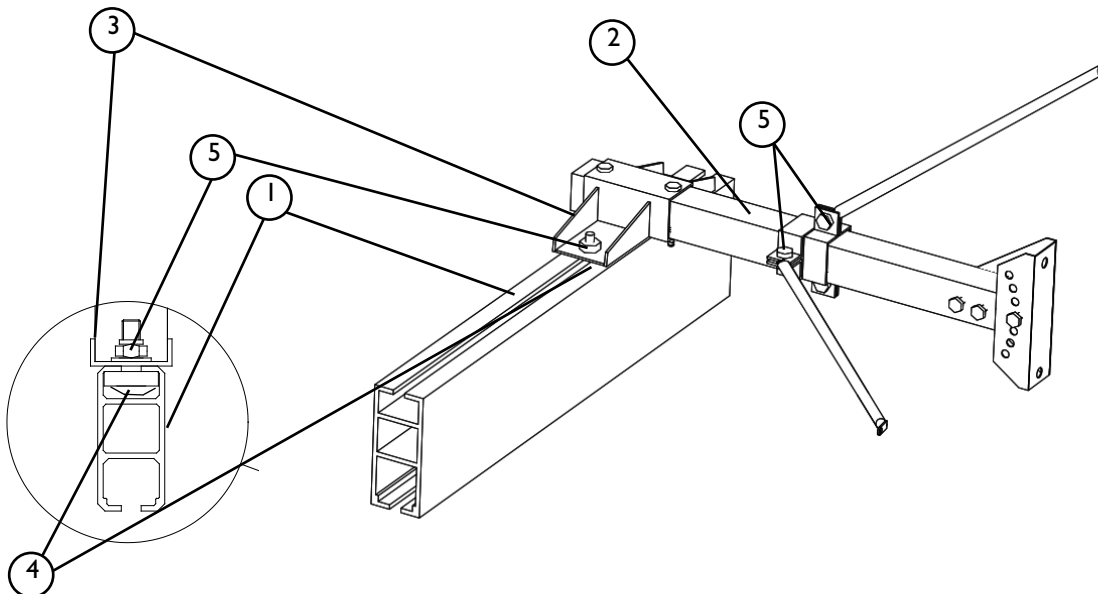
## WALL SUPPORT MOUNTING PROCEDURE

1. SBT-Profile
2. Horizontal wall support
3. Mounting clamp
4. Carriage bolts M10x30 with washers and locking nuts
5. Nuts M10 with clamp for adjustment of height and side to side.
6. Disconnect valve bracket.

- a) Cut the Horizontal wall support(2) to the correct length and follow the same steps as indicated in the suspension mounting procedure for installing the wall brackets.
- b) Fix the mounting clamp (3) with two M10x30 bolts (4) to the SBT-Profile (1). Also insert the mounting clamp for the hose bracket (see hose connection mounting procedure). Next to this insert the disconnect valve bracket (6) between the first and second suspension leg.
- c) Profile(1) with mounting clamps (3) and supports (2) are mounted together with washers and locking nuts M10.
- c) The nuts (5) are loosened to adjust the track vertical and horizontal.

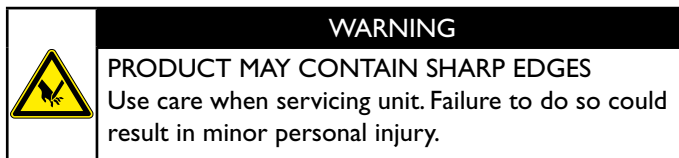


## BACK VIEW

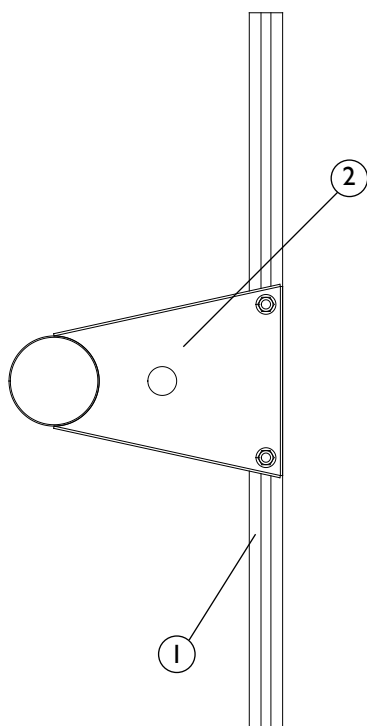


## HOSE CONNECTION MOUNTING PROCEDURE

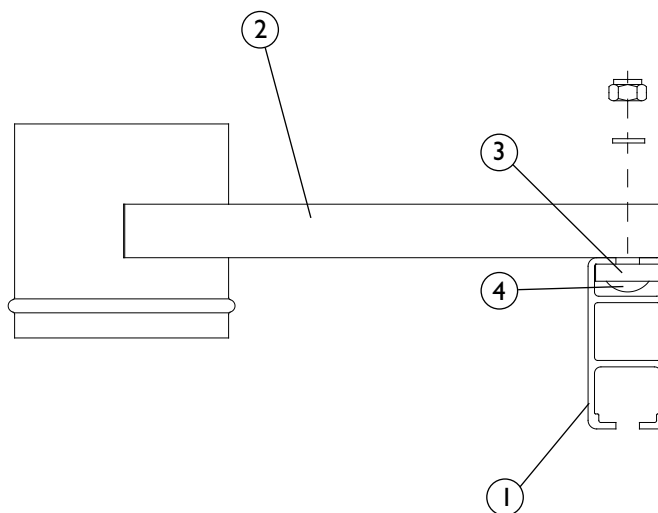
1. SBT-Profile
  2. Hose connection
  3. Mounting clamp
  4. Carriage bolts M10x30 with washers and locking nuts
- a) The mounting clamp (3) with two M10x30 bolts (4) for the hose connection are inserted in the profile (1) together with the mounting clamps for the support legs, see "support legs mounting procedure" in this product user manual.
- b) The hose connection (2) is tightened in place with washers and locking nuts. Please note the hose connection should be opposite the vehicle position of the rail.



PLAN VIEW




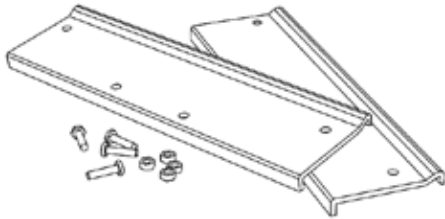
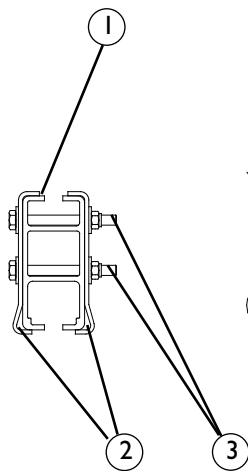
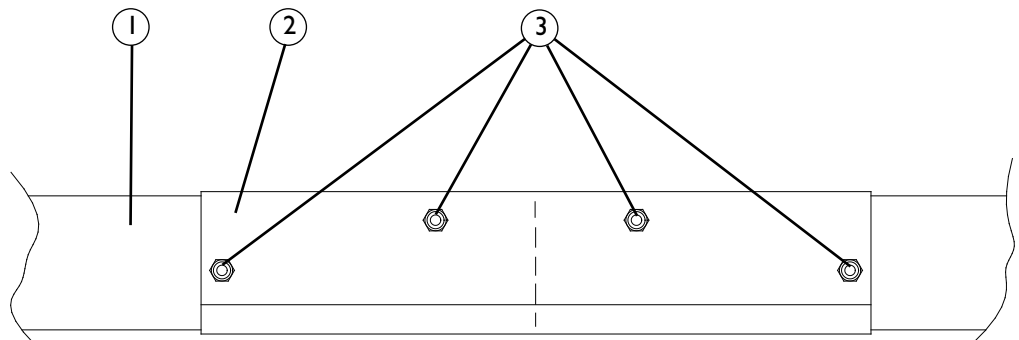
ELEVATION VIEW



**TRACK SPLICE ATTACHMENT PROCEDURE**

1. SBT-track
  2. Splicing sleeves
  3. Bolts M6\*50 and locking nuts
- a) The track splicing sleeves (2) shall be fixed in position on each side of the SBT-track (1) with a clamp.
  - b) Be sure you have the SBT-track (1) in equal length covered by the splicing sleeve (2).
  - c) Check that you have the splicing sleeves in equal position.
  - d) Drill 6mm holes through the SBT-track using the pre-drilled track splicing sleeve holes.
  - e) Assemble the splicing sleeve with the four bolts M6\*50 and the locking nuts (3).

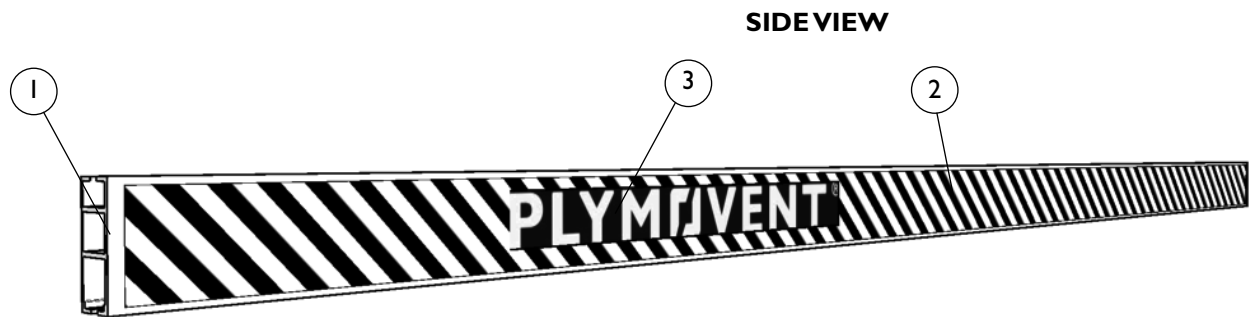
	<b>WARNING</b>
	<b>PRODUCT MAY CONTAIN SHARP EDGES</b> Use care when servicing unit. Failure to do so could result in minor personal injury.

**ELEVATION VIEW****SIDE VIEW**

**TAPE/LABEL APPLICATION PROCEDURE**

1. SBT-track
  2. Hazard tape
  3. Plymovent sticker
- a) The SBT-track (1) can be taped hanging in the support legs, but is easiest taped before installation.
- b) Clean the SBT-track with a cloth and solvent before putting on tape and stickers.
- c) The SBT-track shall be taped with supplied hazard tape (2) on both sides.

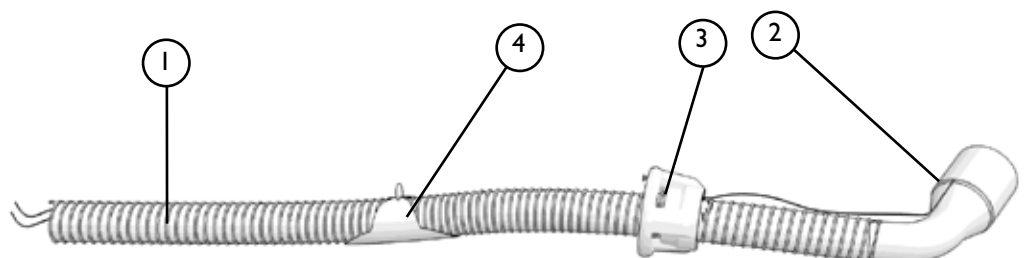
The supplied Plymovent stickers (3) are applied on both sides of the SBT-track (1), on the hazard tape (2), 600mm / 24" from exit end.

**HOSE ALIGNMENT PROCEDURE**

1. SBT hose:
2. Grabber® nozzle:
3. MFD valve:
4. Hose saddle:

The exhaust hose assembly shall be aligned at installation as follows:

1. The exhaust hose assembly is straightened out on the floor with the Grabber® pointing upwards against the door and facing upwards.
2. Reposition if necessary and align the Grabber® (2), the MFD valve (3) and the hose saddle (4) in the show position.
3. After hose alignment mount the hose (1) on the hose connection with the Grabber® pointing upwards against the door.

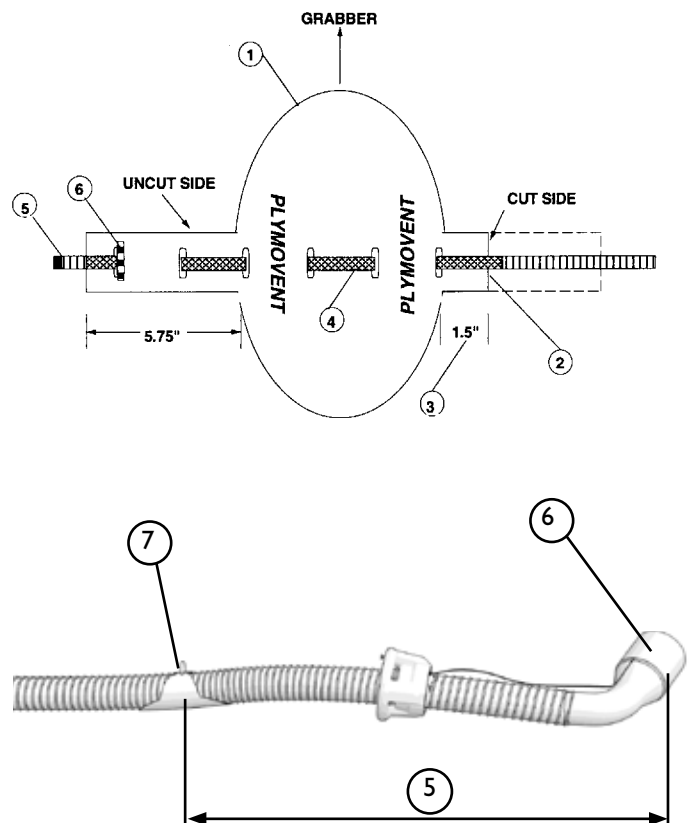
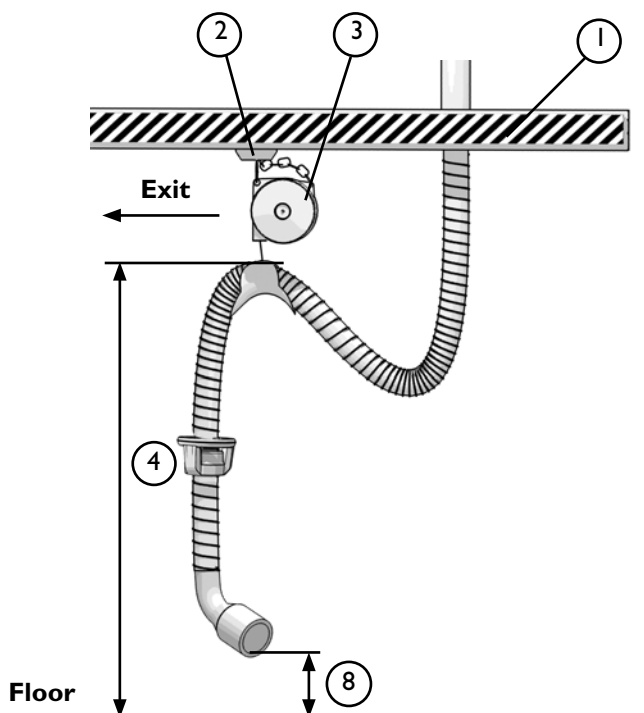
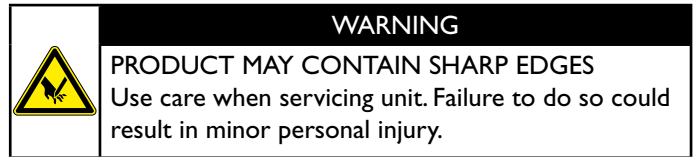




## BALANCER/SADDLE MOUNTING PROCEDURE

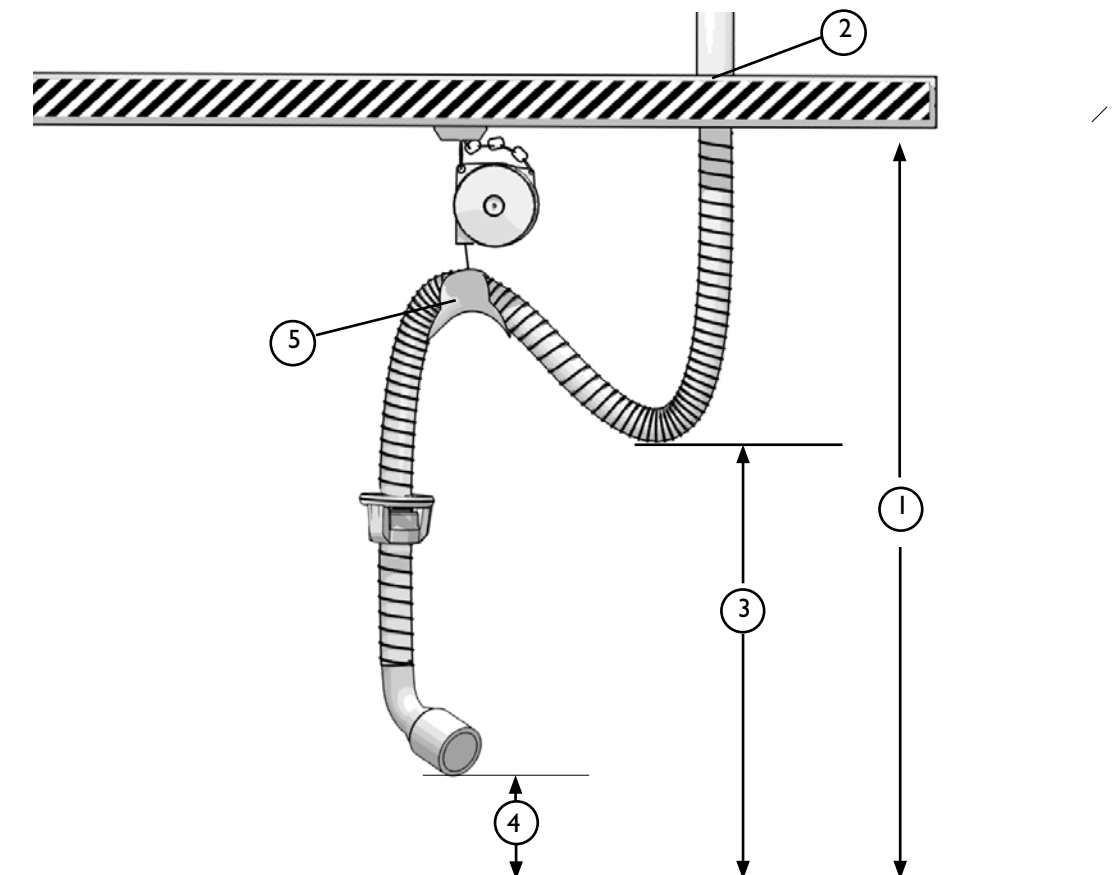
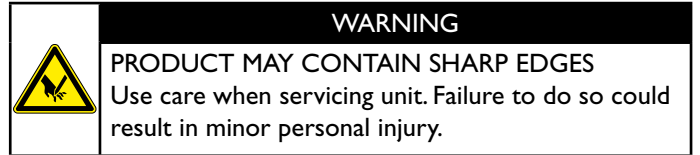
1. SBT-profile
2. Trolley with disconnect plate
3. Balancer with safety chain and locking cable.
4. Measurement, safety chain to floor minus 250mm
5. Measurement, saddle to Grabber® nozzle
6. Grabber® nozzle
7. Saddle ring
8. Grabber® nozzle 250mm height over floor

- a) The trolley (2) is slid in to the SBT-profile (1).
- b) The balancer (3) is hung in the forward/lower suspension hole with the wire towards the door, and the safety chain facing towards the back of the parking area. Please see balancer instructions for the correct settings of the balancer.
- c) The Balancer locking cable is connected between the hose saddle and the trolley.
- d) Measure the distance between the safety chain and the floor and subtract 250mm (4).
- e) This measurement is used to determine the measurement (5) from the Grabber® opening to the saddle ring (7).
- f) The saddle is to be aligned according to: "Hose alignment procedure" please see chapter Trimming Procedure of this Product User Manual.




**HOSE/Grabber® INSTALLATION PROCEDURE**

1. SBT-track height over floor  
(minimum 3500mm / 11,5 ft)
  2. Hose connection
  3. Hose loop height
  4. Grabber® nozzle height over floor
  5. Hose saddle
- a) The SBT-track height (1) is a major factor in determining the hose loop height (3)
- b) The hose connection (2) location also affects the loop height. (also see Trimming procedure)
- c) Hose loop height (3) should not be less than 2,0m / 6,5ft not to be in the way of fire personnel
- d) The hose saddle (5) should be placed in about half the distance between the Grabber® nozzle and hose connection
- e) The distance between the floor and the Grabber® nozzle (4) must be approx 250mm / 10"



## PC-500 PRESSURE SWITCH INSTALLATION PROCEDURE

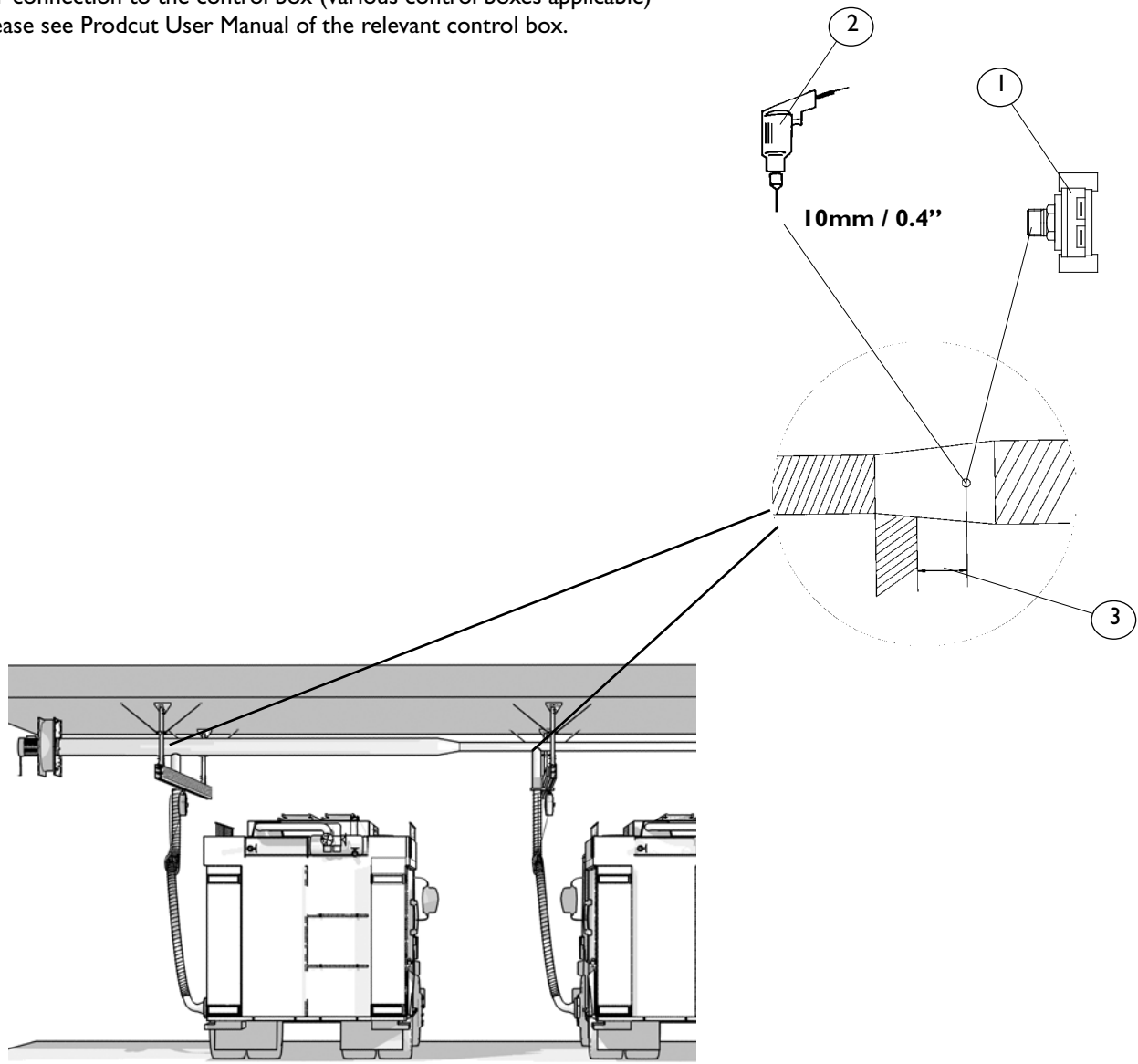
1. PC-500 pressure switch
2. Drilling machine with 10mm / 0.4" drillbit
3. Measurement from ducting/hose approx. 100mm / 4"

	<b>WARNING</b>
	<b>PRODUCT MAY CONTAIN SHARP EDGES</b> Use care when servicing unit. Failure to do so could result in minor personal injury.

- a) Drill a hole in the ducting using a drilling machine (2) above the riser bracket.
- b) Mount the pressure switch (1) by screwing it into the ductwork. Turn as long as to the moment that the sensor is tight and both connection points are upwards. Connect the electric wires with the supplied connection tags. Or connect the PC-500 pressure switches to the wireless transmitters.

Tip: when using more pressure sensors these can be mounted parallel.

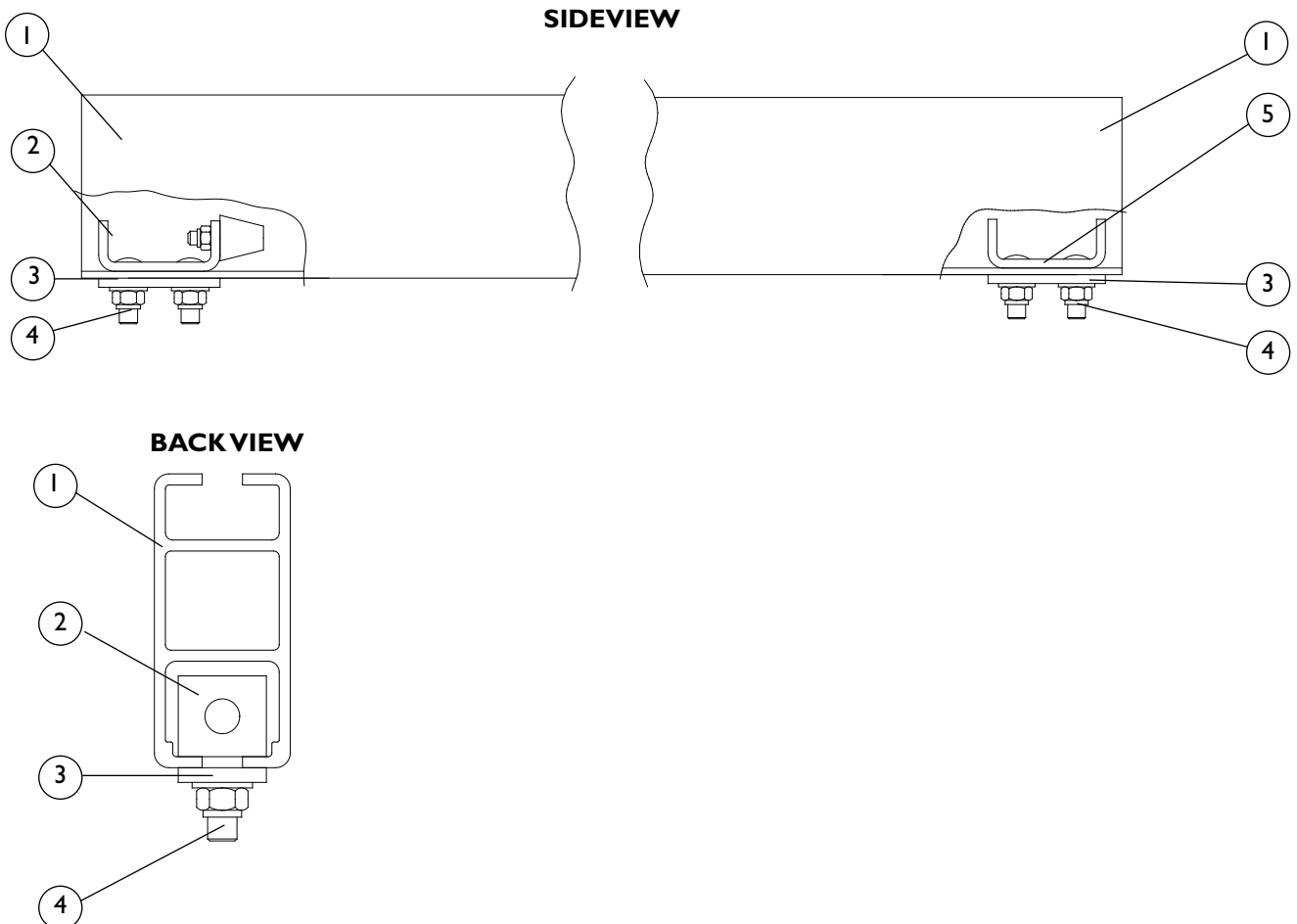
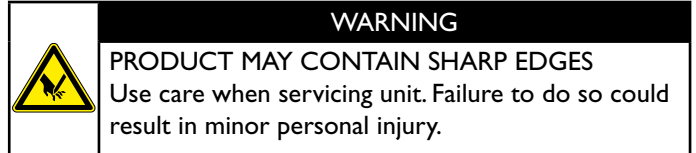
- c) For connection to the control box (various control boxes applicable) please see Prodcut User Manual of the relevant control box.



**END STOP ATTACHMENT/LOCATION PROCEDURE**

1. SBT-track
2. End stop with rubber shock absorber
3. Mounting clamp
4. Carriage bolts M8 with washers and locking nuts
5. Endstop

- a) Endstop with rubber shock absorber (2) is mounted at the exit end of the SBT-track (1).
- b) The end stop with rubber shock absorber (2) is pushed in the SBT-track (1) with the mounting clamp (3) on the underside of the track, and then the locking nuts on the carriagebolts (4) are tightened. Make sure the locking nuts are tightly fastened
- c) The endstop without shock absorber (5) is mounted the same way at entrance/parking end of the SBT-track.
- d) The position of the end stop should be where the balancer needs to stop in order to realise the Grabber® disconnect at the exit door.



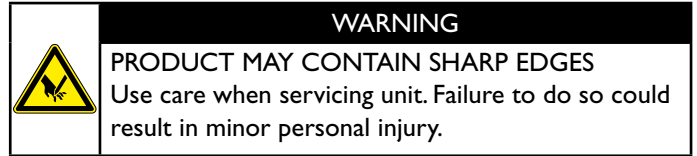
1. Release valve:
2. Bolts M5x25 and locking nuts:
3. Release valve knee:
4. Release valve bracket:
5. Release plate:

The release valve (1) is delivered for assembly to the SBT-Profile when using a RIGHT side exhaust.

When installing the SBT-Profile for a LEFT side exhaust the release valve (1) has to be changed as follows:

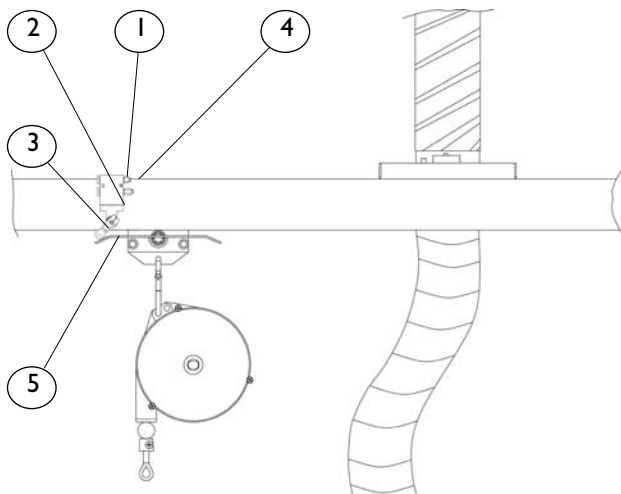
Unscrew the bolts and nuts (2), turn the valve with the knee (3) pointing to the gate, reassemble the valve on the bracket (4).

Check that the release plate (5) pushes the release valve so that it nearly bottoms out with approximately 1 mm clearance.



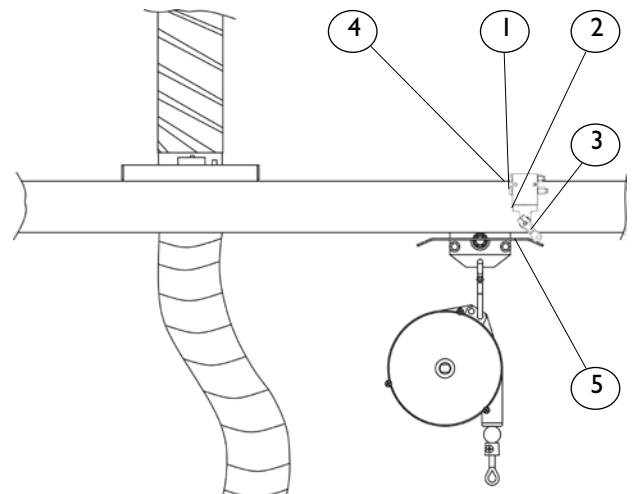
**TRUCK-SIDE VIEW, RIGHT SIDE EXHAUST**

**EXIT DOOR** ←



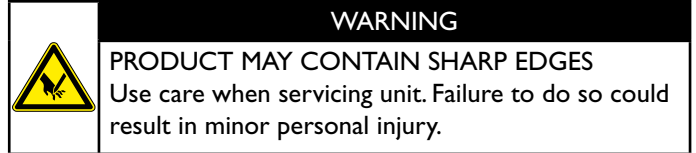
**TRUCK-SIDE VIEW, LEFT SIDE EXHAUST**

→ **EXIT DOOR**

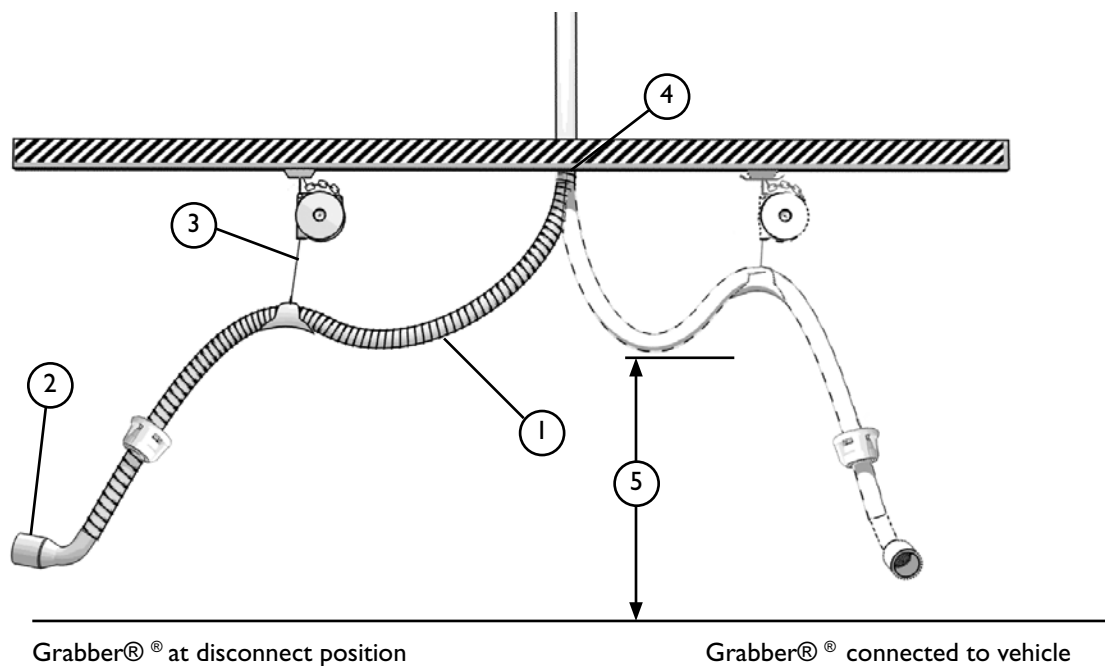


### THE HOSE

1. SBT-hose assembly:
2. Grabber® nozzle:
3. 0,5-1m of wire out of balancer:
4. Hose connection:
5. Hose loop height:



- a) The SBT- hose assembly (1) is mounted/trimmed up with the Grabber® nozzle (2) at a height of 0,5m /20" above the floor when the Grabber® reaches the exit door.
- b) At correct length of the exhaust hose, 0,5-1m of wire should be out of the balancer (3) when the Grabber® is at disconnect point.
- c) The exhaust hose is cut to length with a knife and a wire cutter if the length needs to be shortened.
- d) The hose loop height (5) should not be less than 2000mm in order not to be in the way of fire personnel.

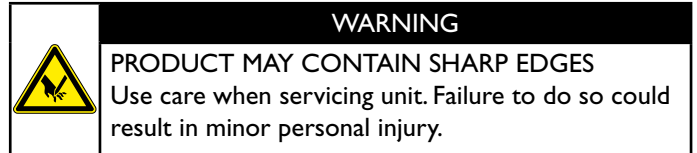


- 1 Release valve:
2. Release plate:
3. Bolt M6x20mm and washer.
4. Mounting clamp:
5. Toggle joint of the release valve.

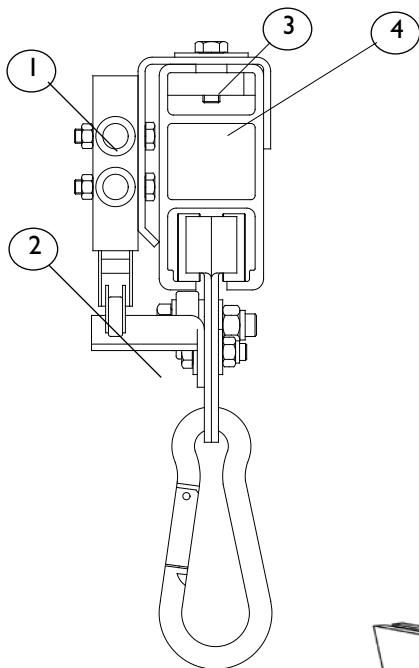
The release valve (1) is mounted on the truck-side of the SBT-profile with the toggle joint (5) pointing towards the gate, approximately 1800 mm from end of track.

The valve is fitted with the mounting clamp (4), bolt M6x20mm and washer (3).

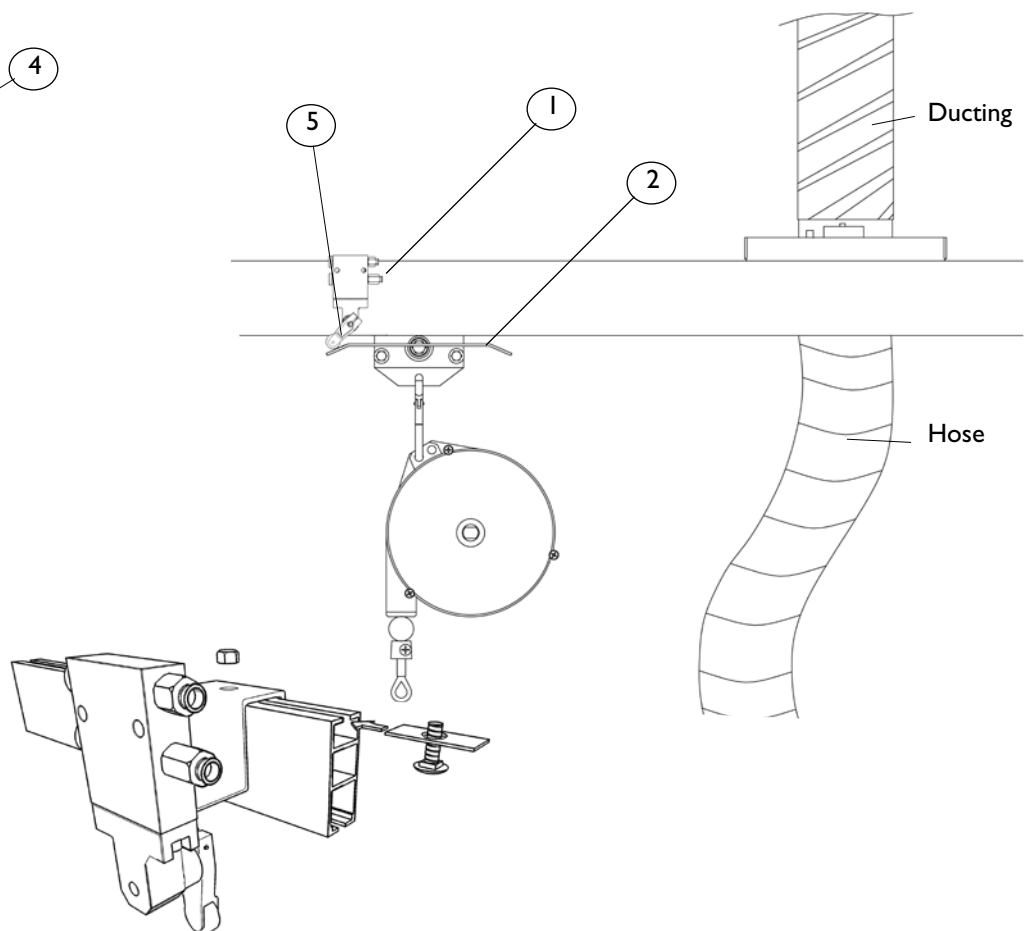
Check that the release plate (2) pushes the release valve so that it nearly bottoms, appr. 1 mm clearance.



BACK VIEW



TRUCK-SIDE VIEW





**BALANCER SETTING PROCEDURE**

1. Balancer
2. Balancer safety chain

The balancer is factory delivered at a pre-tension. In order to make sure the balancer is functioning optimally please follow the following procedure:

- a. After every component of the system is installed, the balancer tension must be adjusted to its final setting. Increase the spring tension by turning the balancer counter-clockwise until the rubber stop hits the balancer.
- b. Add two more "quarter-clicks" to ensure full retraction of the balancer cable.

It's possible the balancer tension needs to be fine-tuned after total system is installed and a test run is done.

**Balancer tuning:***Problem:*

The Grabber® nozzle hits the ground after disconnection.

*Solution:*

Increase the balancer tension with 1 (one) "quarter-click".

*Problem:*

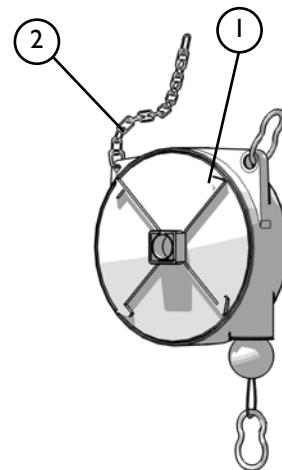
The "swing-back" of the hosedrop after disconnection is too extreme.

*Solution:*

Decrease the balancer tension with 1 (one) "quarter-click".

**WARNING**

The balancer is delivered under tension. Be careful when fine tuning the balancer.

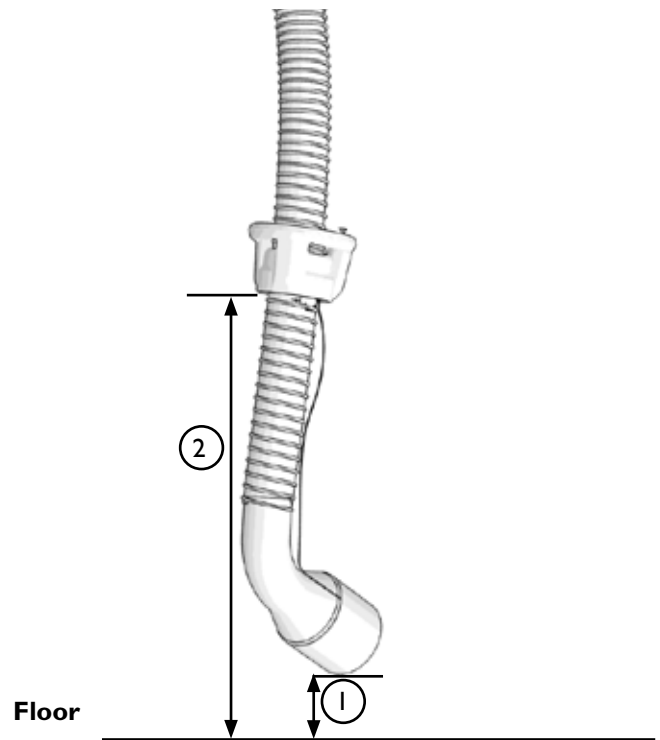


## 9. INSTALLATION SDCH - TRIMMING PROCEDURE

- 1) The distance between the floor and the Grabber® nozzle (1) should be 25-30cm / 10"-12" from finished floor
- 2) The distance between the floor and the safety disconnect handle (2) should be 1 meter / 3.3 feet from finished floor

### For the Pneumatic system

- Determine the position of the SDCH in the hose drop (approx 1 meter / 3.3 feet above the floor).
- Unscrew the upper and lower plastic parts of the new SDCH (6 screws on the bottom of the handle).
- Position and fix the upper half of the new SDCH to around the upper hose.
  - \* Make sure the position of the valve is on the opposite site of the vehicle.
  - \* Make sure the rubber cover for the hose clamp is fitted.
- Insert the two 6mm air lines through the rubber grommets in the upper aluminium flange.
- Connect the two 6mm air lines into the MFD valve (P on the valve is for the 1 bar Grabber® supply, the other tube fitting on the same side of the valve is for the release signal). See image to the right:
- If the two 6 mm tubes are right connected to the valve, (check function) re-assemble the two plastic parts together with the same 6 screws. Hereby attaching the lower half of the SDCH to the upper half (including the lower aluminium flange).
- Insert the lower flange in the hose and tighten the hose clamp.
- Cover the hose clamp with the rubber protective sleeve when the hose clamp is tightened.
- Insert the lower flange in the lower hose and tighten the hose.
- Cover the hose clamp with the rubber protective sleeve when the hose clamp is tightened.
- Push the 8mm Grabber® line in the hole, just underneath the valve in the plastic lower part of the SDCH.
- Switch the compressed air on.



### Pneumatic version of the Safety Disconnect handle

In case of maintenance or adjustment of the Pneumatic valve please note the following:

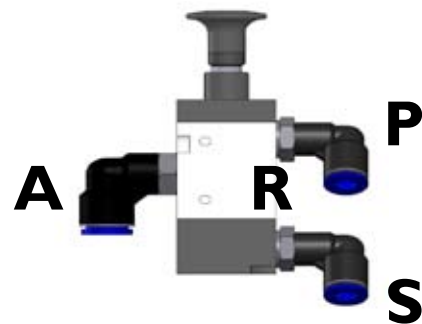
Upper fitting	P	1 bar in
Lower fitting	S	8 bar in
Grabber® connection	A	1 bar out
Release	R	(leave open)

**CAUTION!**

Please apply and use the pre-described and normal personal protection devices during installation and during service of the system in order to avoid injuries. This also applies to the persons who enter the work area during installation or service activities.

**ATTENTION!**

Please ensure that the compressed air delivered to the Plymovent system is dry and clean. Failure to supply this air may result in failure of the system.



## 9. INSTALLATION - TRIMMING PROCEDURE

1. SBT-Profile:
2. Release valve
3. Unregulated air for release valve (6 - 8 bar)
4. Regulated air for Grabber® (coloured hose 0,7-1,0 bar):
5. Regulator with manometer
6. Compressed air feeder (6 - 8 bar)
7. MFD-valve

The compressed air (max. 8 bar) is connected to the compressed air feeder (6).

Unregulated air (3) is connected via the 8mm air hose to the release valve (2). This unregulated air is then connected from the release valve through the rubber grommet on the hose holder down through the exhaust hose and connected to fitting S on the MFD valve."

Regulated air (4) is connected from the regulator (5) through the rubber inlet in the hose holder down through the exhaust hose to the side of the MFD-valve (7).

Use the colours of the air hoses for orientation.

From the MFD-valve (7) an 8mm air hose connects down to the Grabber®.

**CAUTION**

Please test if the pressure air hoses are connected into the system in the correct way ( 0,7-1,0 bar) before you pressurise the system. Also test the pressure air system after the safety disconnect has released.

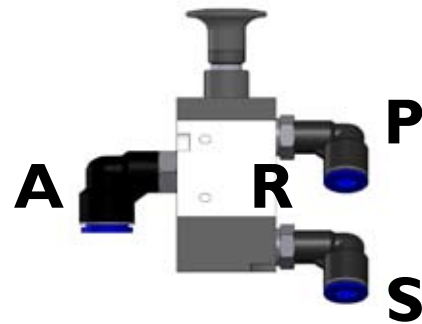
**ATTENTION!**

Please ensure that the compressed air delivered to the Plymovent system is dry and clean. Failure to supply this air may result in failure of the system.

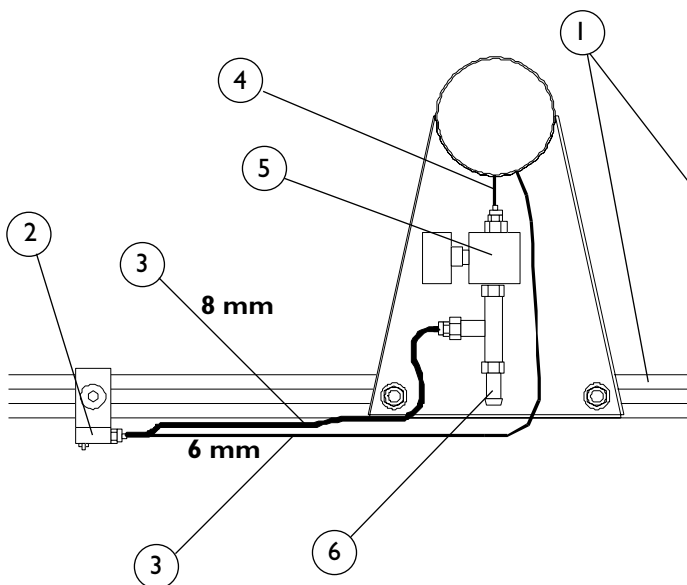
### Pneumatic version of the Safety Disconnect handle

In case of maintenance or adjustment of the Pneumatic valve please note the following:

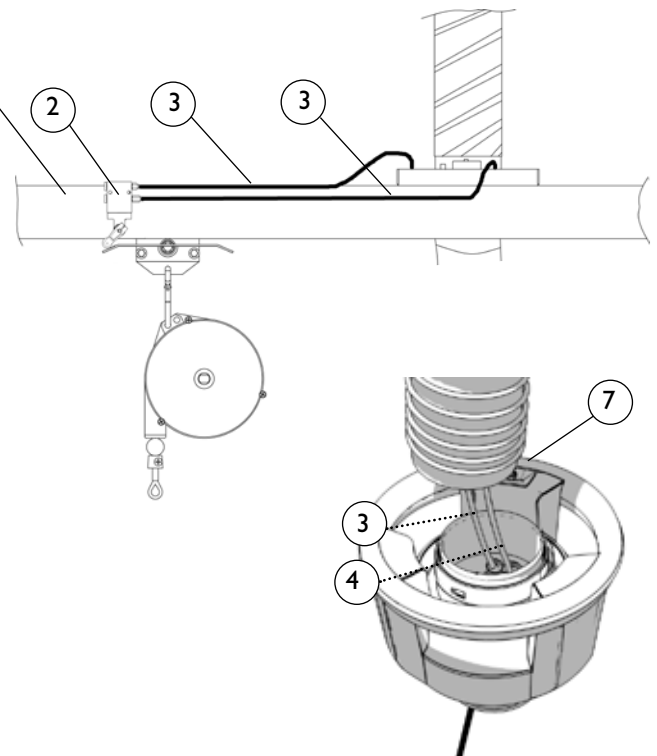
Upper fitting	P	1 bar in
Lower fitting	S	8 bar in
Grabber® connection	A	
Release	R	(leave open)



**PLAN VIEW**



**TRUCK-SIDE VIEW**



**Inspection and maintenance:**


Inspection/maintenance shall be done according to following scedule:

0-500	turn-outs/year	every 16th week
500-1500	turn-outs/year	every 12th week
1500-3000	turn-outs/year	every 8th week
3000 +	turn-outs/year	every 4th week

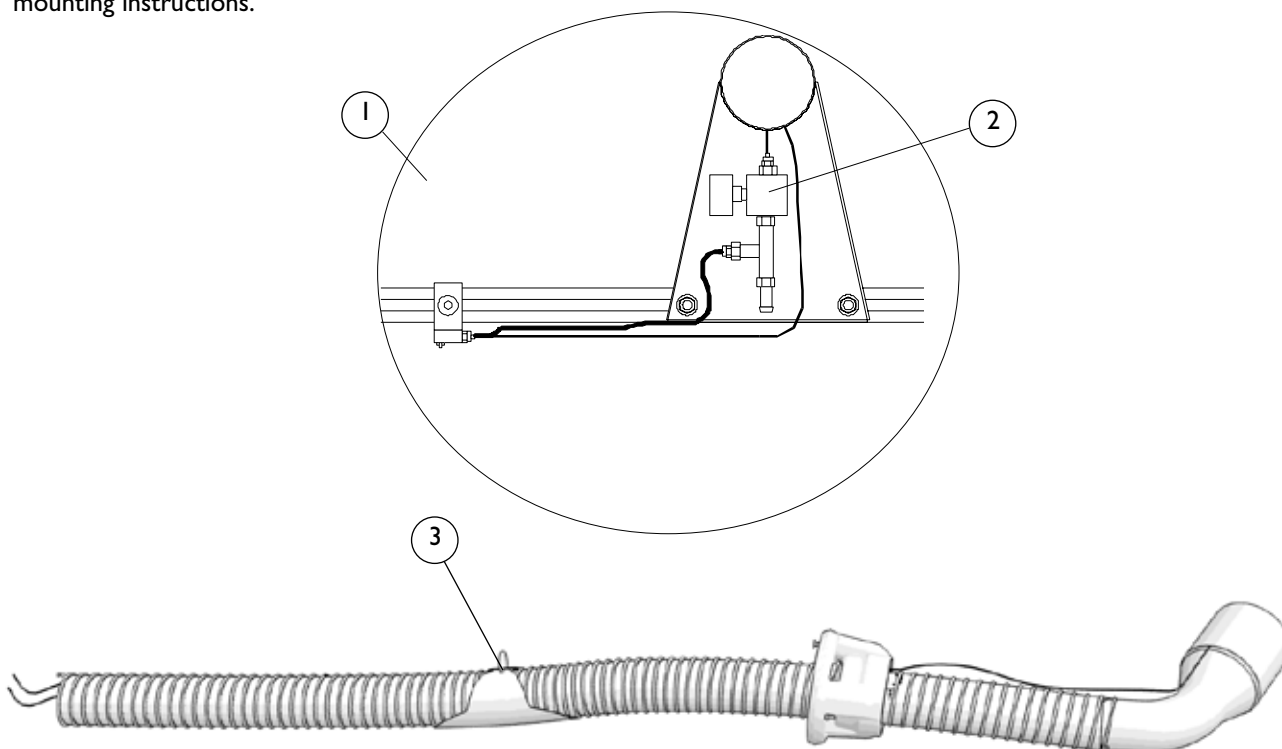
1. Check the compressed air systems mechanical attachments and leakages on couplings, realease valve and regulator.
2. Check/adjust the air pressure (max 1.0 bar).
3. Remove the hose assembly from the balancer and check the hose, compressed air hoses, suspension halter, MFD-valve and Grabber® .The safety disconnect coupling should be disassembled and cleaned.

The hose assembly should be aligned prior to mounting see " Alignement/mounting of hose assembly" in the mounting instructions.

**ATTENTION!**

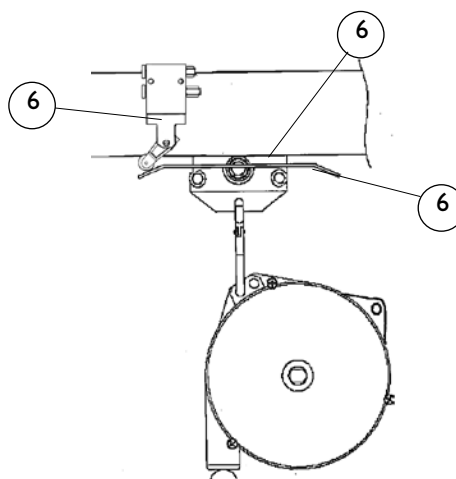
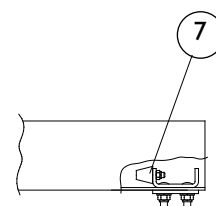
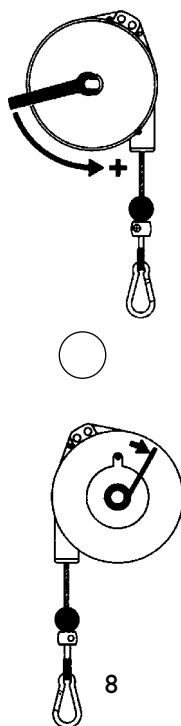
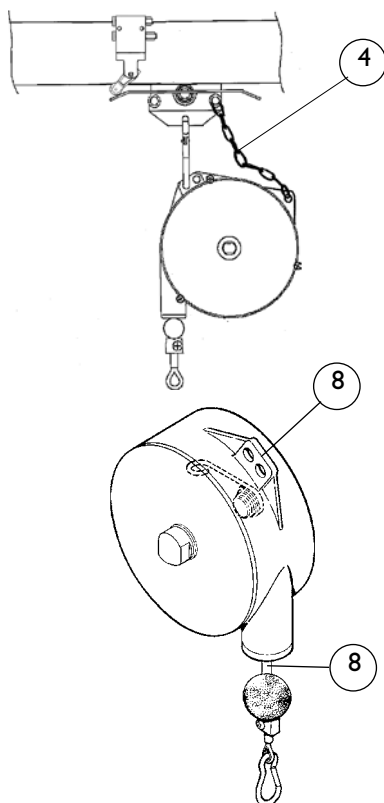


- a. Service and maintenance only to be done by qualified and trained persons ( in EU according to TRGS 554.
- b. Use sufficient climbing gear and safety guards when working on a higher level than 2.0 meter.
- c. Only carry out service and maintenance when the system is fully disconnected from mains.
- d. Be sure no vehicle can enter the station/bay when carrying out service/maintenance.



**Inspection and maintenance: Continued:**

4. Check the correct attachment of the safety chain attaching the balancer to the trolley.
5. Ensure the hose has the correct distance to the floor. Spring tension must be adjusted when required.
6. Check the correct movement of the trolley, correct function of the release valve and end-stops.
7. Check that the trolley trip plate activates the release valve correctly. The release valve must be activated to 1mm from bottom position.
8. Check the balancer - see separate manual
9. Disconnect the hose from the balancer and inspect the hose for any faults.
10. Check if the saddle is correctly supporting the hose.
11. Disassemble the Safety disconnect and clean.
12. Ensure the hose is in the correct installation position ( see hose connection procedure).



## II.

## Cleaning and FAQ

### HOSE PACKAGE

Clean with water and a soap-solution.

### AIR-COMPONENTS

Use compressed air to blow equipment clean.

### SBT-RAIL AND SUSPENSIONS

Clean with water and a soap-solution



#### ATTENTION

Do not use solvents to clean the system.

You observe that...	Why ?	What to do ?
The Grabber® does not connect tightly to the tailpipe	The pressure in the Grabber® is not high enough.	The pressure at the SBT-Pressure regulator should be increased (0,7-max 1,0 Bar)
The inflation time of the Grabber® takes a long time	Leakage in the pressure air system	Seal the leakage.
You cannot operate the MFD operating valve good enough.	The MFD valve is not connected correctly.	Un-twist the exhaust removal hose either at the connection between the hose and duct, or saddle which should make operating the MFD valve possible again.
The Grabber® is dragging over the floor or is pushed back too far.	The Grabber® is hanging too low, the balancer force is too strong.	Disconnect the saddle and reposition it so that the hose is off the floor. Or adjust the balancer force on the balancer.
The Grabber® is transported out of the Garage too far and the hose swings back forcefully.	The disconnect point is too far forward.	The release valve or (and) the end stop should be moved further back onto the rail.
The Grabber® opens when the vehicle drives into the station.	The release valve releases air when the vehicle is moved into the station.	The MFD pressure valve can be stuck, or the release valve on the trolley is positioned too high.
The Grabber® does not close while the manometer indicates there is pressure.	The pressure air line in the hose is twisted and / or blocked.	Disconnect the hose and check the pressure air lines in the hose and un-twist / unblock them.

## 12. DISPOSAL

The level of Service and Maintenance on the Plymovent systems is relatively low. The Service and Maintenance department of Plymovent consists of well trained personnel who can offer you a Service and Maintenance contract which ensures your system will function for many years to come.

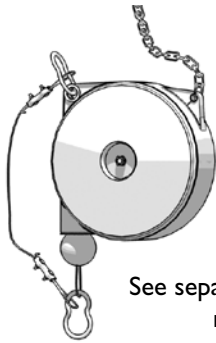
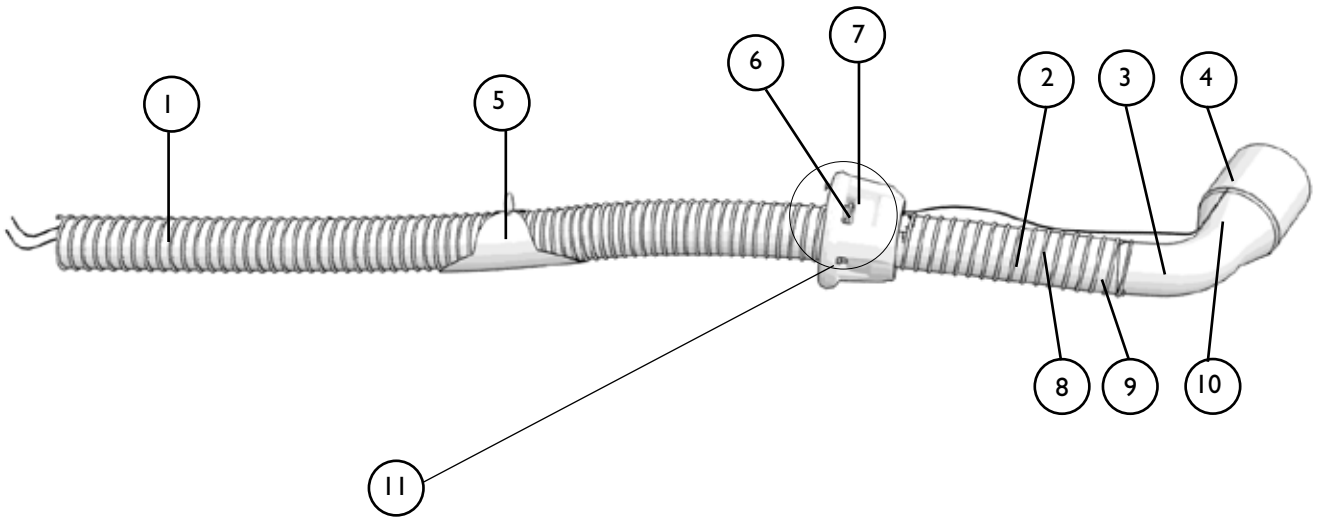
### Disposal

- |                       |            |
|-----------------------|------------|
| - Cardboard packaging | Recycle    |
| - Aluminium profile   | Recycle    |
| - Hose                | Rest waste |
| - Grabber® Nozzle     | Rest waste |

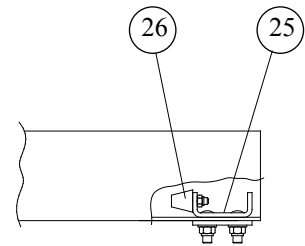
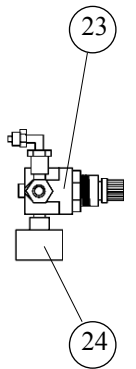
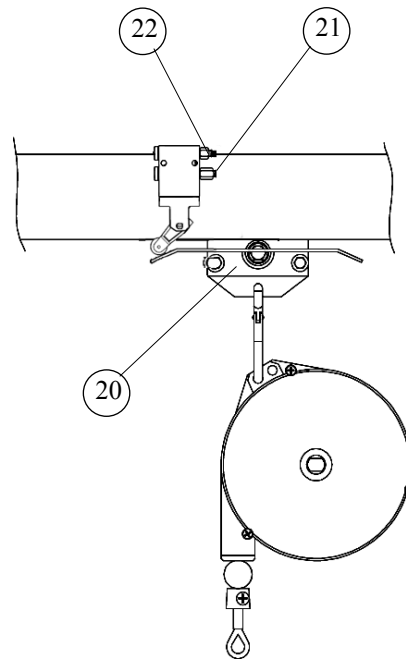
When dismantling the system please ensure to follow the similar safety precautions as mentioned in this manual for installation.

Dismantling must be done contrary to the installation instructions.

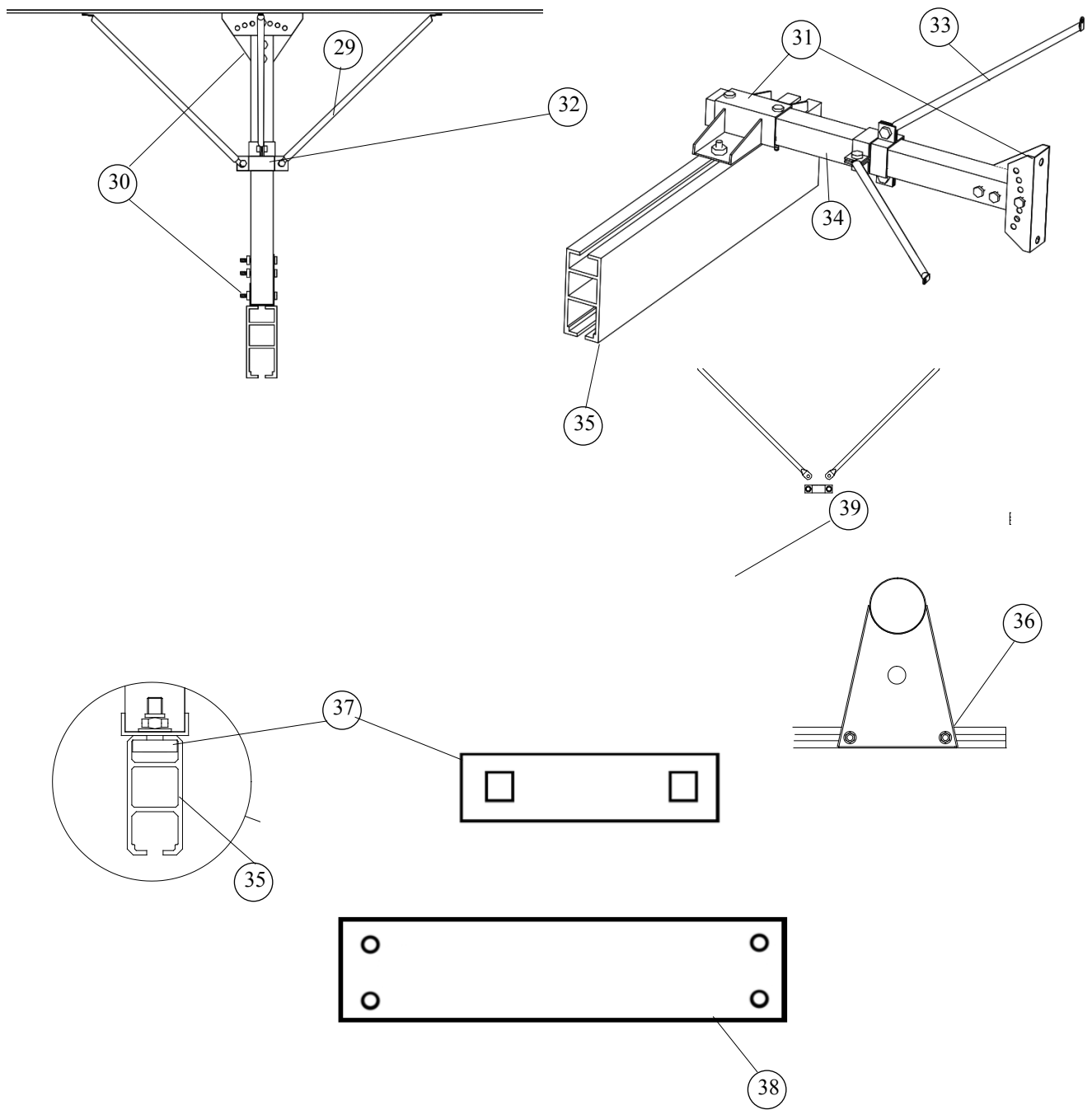
Dismount loose parts before the rail is dismantled.



See separate Balancer manual







<b>PLYMVENT®</b>	<b>SPARE PARTS LIST</b>	BSAB No: T3.1 Ser. No: SBT / RR Date: Dec -10
	SBTP	© Copyright: All right reserved. All information within this printed matter may not be reproduced, handed over, copied, xeroxed or translated into another language, in any form or any means without written permission from PlymoVent AB. PlymoVent AB reserves the right to make design changes.

Produkt No:	Decription
A	All models
B	SBTP-6-100-160
C	SBTP-6-100-120
D	SBTP-6-100-100
E	SBTP-6-125-160
F	SBTP-9-100-160
G	SBTP-9-100-120
H	SBTP-9-125-160
I	Models with vertical support legs
J	Models with horizontal support legs

**Abbreviations**

X = Order as required, state required length.

Pos	Art. No:	A	B	C	D	E	F	G	H	I	J	Description	Note
1	987990-Z		1	1	1							Exhaust hose Ø100 L=6M	
	988451-Z					1						Exhaust hose Ø125 L=6M	
	988006-Z						1	1				Exhaust hose Ø100L=10M	
	988469-Z								1			Exhaust hose Ø125 L=10M	
2	987 842		1	1	1		1	1				Exhaust hose Ø100L=0,6M	
	988 576									1		Exhaust hose Ø125 L=0,6M	
3	4-1417		1				1					Grabber bend 100/160	
	4-1416			1				1				Grabber bend 100/120	
	4-1415				1							Grabber bend 100/100	
	4-1418									1		Grabber bend 125/160	
4	991 299		1			1	1		1			Grabber Bladder 160	
	991 125			1				1				Grabber Bladder 120	
	991 109				1							Grabber Bladder 100	
5	512 616		1	1	1		1	1				Hose Saddle Ø 100	
	512 624					1				1		Hose Saddle Ø 125	
6	985 887	X										Compressed air hose White Ø 6mm	
7	985 895	X										Compressed air hose Yellow Ø 6mm	
8	985 960	X										Compressed air hose Ø 8mm	
9	961 458		1	1	1		1	1				Hose Clamp Ø100	
	961 490					1				1		Hose Clamp Ø125	
10	961 474		1			1	1		1			Clamp Grabber 160	
	961 458			1	1			1				Clamp Grabber 120/100	
11	905 550	1										SDCH 100mm/ 4" Includes the MFD valve.	
	905 555	1										SDCH 125mm/ 5" Includes the MFD valve.	
15	993 329	1										MDF-Valve	
16	516 740	1										MDF-Valve compl.with fittings	
17	516 856	1										MDF-Valve bracket	
18	993 881	1										MDF-Safety disc.fittings	
19	993329-Z	1										MDF-Knob	
20	516 476	1										Trolley compl.	
21	994 137	1										Release valve with fittings	
22	516 980	1										Release valve with fittings and bracket	
23	993 998	1										Regulator compl. with fittings and manometer	
24	994 012	1										Manometer	
25	969 691	1										Endstop with rubber shock absorber	

<b>PLYMVENT®</b>	<b>SPARE PARTS LIST</b>	BSAB No: T3.1 Ser. No: SBT / RR Date: Dec -10
	SBTP	© Copyright: All right reserved. All information within this printed matter may not be reproduced, handed over, copied, xeroxed or translated into another language, in any form or any means without written permission from PlymoVent AB. PlymoVent AB reserves the right to make design changes.

Produkt No:	Decription
A	All models
B	SBTP-6-100-160
C	SBTP-6-100-120
D	SBTP-6-100-100
E	SBTP-6-125-160
F	SBTP-9-100-160
G	SBTP-9-100-120
H	SBTP-9-125-160
I	Models with vertical support legs
J	Models with horizontal support legs

**Abreviations**

X = Order as required, state required length.

Pos	Art. No:	A	B	C	D	E	F	G	H	I	J	Description	Note
26	969691-Z	1										Rubber shock absorber	
27	90100-1011	1										Balancer	
28	90100-007	1										Spring	
29	90100-010	1										Wire Complete	
30	8150-1011									1		Adjustable mounting kit vertical	
31	8260-1011										1	Adjustable mounting kit horizontal	
32	8130-1011	1										Sidebrace clamp kit	
33	8140-1011	1										Sidebrace w/ clamp L=500mm (20" ) single	
	8141-1011	1										Sidebrace w/ clamp L=750mm (30" ) single	
	8142-1011	1										Sidebrace w/ clamp L=1800mm (6' ) single	
33a	8145-1011	1										Sidebraces w/ clamp L=500mm (20" ) double	
	8146-1011	1										Sidebraces w/ clamp L=750mm (30" ) double	
	8147-1011	1										Sidebraces w/ clamp L=1800mm (6' ) double	
34	8120-1011	1										Support leg L=5790 (19' )	
35	8332-1011	1										SBT TRACK L=5790 ( 19' )	
	8331-1011						1	1				SBT TRACK L=2895 ( 9,5' )	
36	516 625		1	1	1		1	1				Hose connector 4"	
	516 641					1			1			Hose connector 5"	
37	516401-Z	1										Support leg Bracket compl	
38	516 633									1	1	Splicing sleeve	

When ordering spare parts please quote:

•Product No. (see label) • Batch No • Description • Part No • Quantity

For example: SBTP-6-100-160, 00040, Hoseclamp ,961458 , 1 pc