

MOBILEGO

CONTROLS

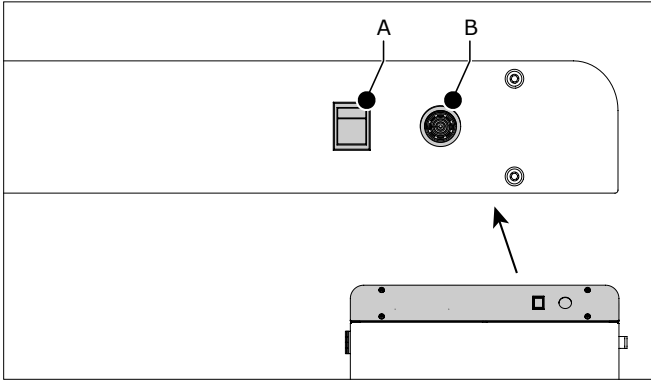


Fig. 1

- A Tumbler switch 0-1**
with green LED
- B Buzzer**
service indicator

USE

Since it concerns a mobile unit, you can use it at any desirable place. For optimal results you must place the unit as close as possible to the source of pollution.

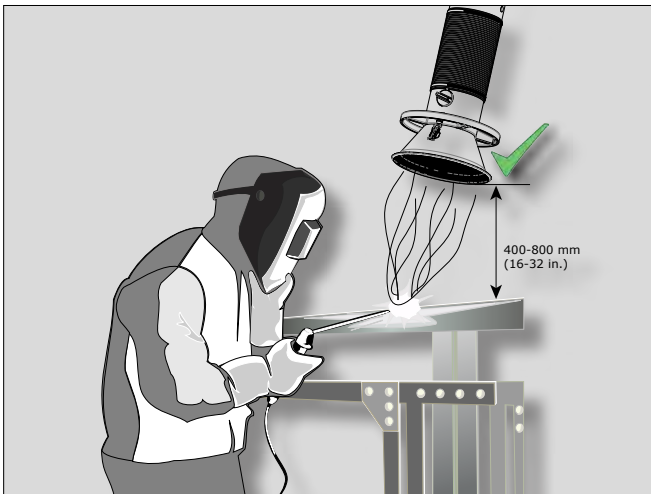


Fig. 2

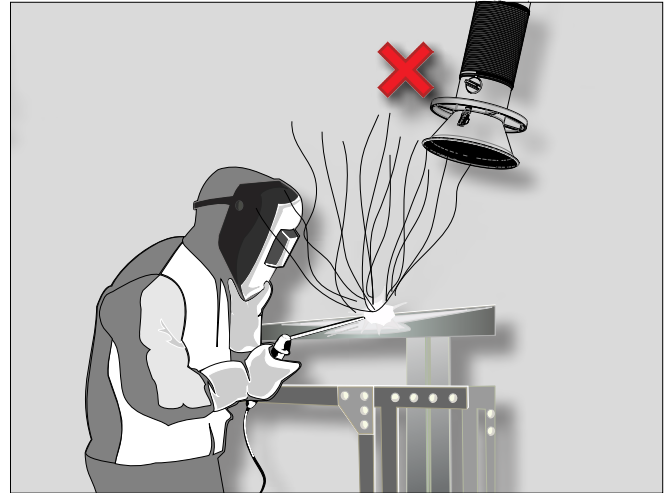


Fig. 3

- Position the hood of the extraction arm at 400-800 mm from the source of pollution. Refer to the images for the correct position; Fig. 2 is right; Fig. 3 is wrong.
- Make sure that the shut-off damper in the hood is open.
- Put the unit ON with the tumbler switch (Fig. 1A).
- Start welding.

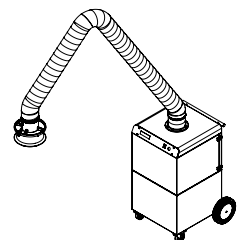


WARNING

To keep the welding fume away from the breathing zone of the welder, make sure that all fume is extracted through the hood.

- When the welding position changes, move the hood to the correct position in relation to the weld.
- Put the unit OFF (Fig. 1A) approx. 20 seconds after you have finished welding.

When the airflow is too low during use, the buzzer (Fig. 1B) emits an acoustic alarm. Refer to the user manual to find the possible cause and the solution.



Refer to the manual supplied with the product for safety instructions and extensive user information.