

REG-D

RUBBER NOZZLE WITH VISE GRIP AND DAMPER

The REG-D nozzle is highly suitable for Plymovent's fixed extractors and exhaust hose reels.

Recommended for today's trucks, private cars and especially vehicles with twin exhaust pipes. The REG-D is designed to take in ambient cooling air thereby reducing the exhaust emission temperature.

The nozzle is composed of moulded, high temperature resistant rubber. The REG-D is also equipped with a vise grip in order to strengthen the connection with the exhaust pipe, and a manual on/off damper for flow control.

The nozzle also includes a CO-outlet for measuring emission values.



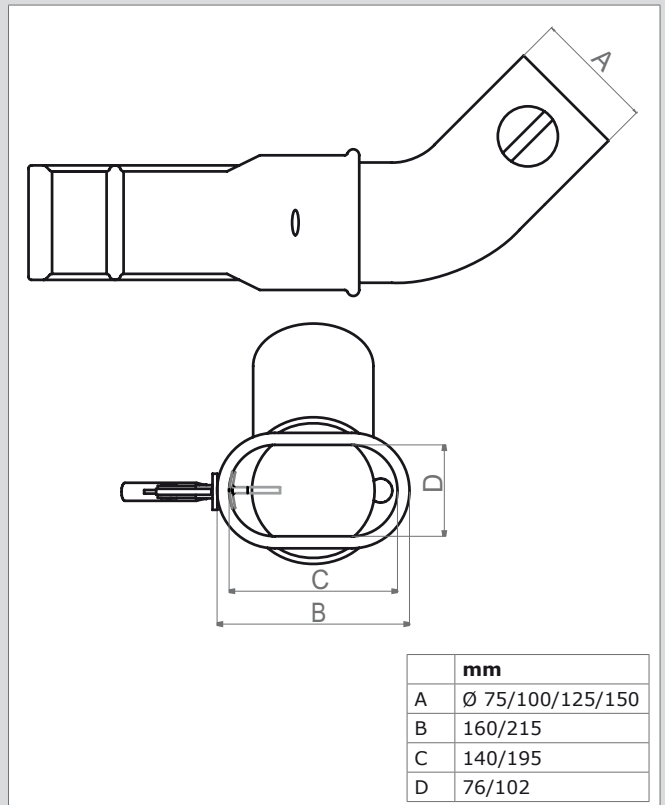
SPECIFICATIONS

■ Physical dimensions and properties	
Material	rubber
Colour	black
Temperature resistance	150°C/ 300°F continuously
■ Scope of supply	
REG-D Rubber nozzle with vise grip and damper - Exhaust hose	
■ Order information	
Refer to remaining specifications	
■ Shipping date	
Gross weight	see remaining specifications
Harmonized Tariff Code	8421.39.8090
Country of origin	Sweden

REMAINING SPECIFICATIONS

Article number	Dimensions exhaust hose	Weight
90176-1011	Ø 75 mm/3"	1.20 kg
90181-1011	Ø 100 mm/4"	1.30 kg
90186-1011	Ø 100 mm/4"	1.70 kg
90191-1011	Ø 125 mm/5"	1.85 kg
90196-1011	Ø 150 mm/6"	2.00 kg

DIMENSIONS



Product type **REG-D Rubber nozzle with vise grip and manual**

Article no. refer to remaining specifications

Product category Nozzles

Version 110711/0

Always check the latest version on www.plymovent.com.