

## KUA-160

### FLEXIBLE EXTRACTION ARM

Ball bearing extraction arm with external middle hinge. The removable hood has a safety mesh and a damper. The arm is 360° rotatable<sup>1</sup>.

The KUA-160 arm is available in four different types:

- type **H**: for hanging mounting (wall bracket included)
- type **S**: for standing mounting (e.g. on a mobile unit)
- type **ATEX**: approved for use in explosive environments zone 1 and 21; marking Ex II 2G 2D<sup>2</sup> (for hanging mounting only)
- type **H-D**: for hanging mounting, with sealed shut-off damper

<sup>1</sup> KUA-160 ATEX: 359° rotatable due to the litz wire

<sup>2</sup> In accordance with TRGS 727 & ATEX Directive 2014/34/EU

### APPLICATIONS

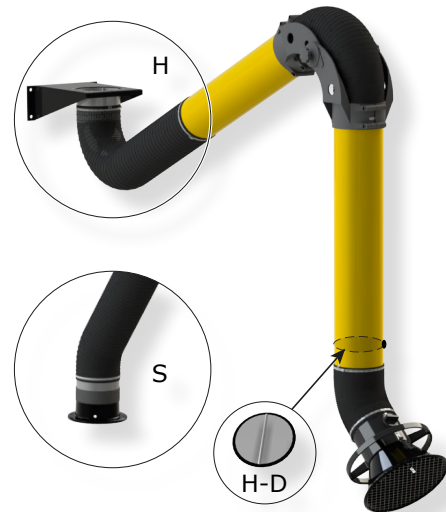
The KUA-160 is intended to be used for the following applications:

- MIG-MAG/GMAW welding
- TIG welding
- FCAW welding
- stick/MMAW welding



### SPECIFICATIONS

■ Physical dimensions and properties	
Diameter:	
• tubes	• Ø 160 mm (6¼ in.)
• hood opening	• Ø 300 mm (11¾ in.)
Material of tubes	aluminium
Material of hoses:	
• types H and S	• PVC with spring steel wire
• type ATEX	• polyethylene with spring steel wire
Colour:	
• tubes	• yellow RAL 1004
• hoses	• black
■ Performance	
Recommended airflow	800-1200 m³/h (470-710 CFM)
• min. airflow	800 m³/h (470 CFM)
■ Ambient and process conditions	
Process temperature:	
• min.	• 5°C (41°F)
• nom.	• 20°C (68°F)
• max.	• 70°C (158°F)
Max. relative humidity	90%
Outdoor use allowed	no
Storage conditions	• 5-45°C (41-113°F) • relative humidity max. 90%
■ Options and accessories	
FlowGuard	airflow sensor
<b>KUA-160 all types (except for ATEX versions)</b>	
S-100	manual on/off switch for hood mounting
LL-5.5/24-160	manual on/off switch, incl. LED working light
■ Product combinations	
<b>KUA-160/2H   3H   4H (incl. ATEX versions)</b>	
FUA-1800   FUA-2100	extraction fan



FM-15/160   FM-25/160   FM-35/160   FM-45/160	extension crane
ERC	extraction rail
PA-110/160   PA-220/160	stanchion
SLE-30	extension hose
<b>KUA-160/2S   3S   4S</b>	
MobilePro	mobile fume extractor
FM-15/160   FM-25/160   FM-35/160   FM-45/160	extension crane
PA-110/160   PA-220/160 + art. no. 0000101537	stanchion (wall bracket)
■ Scope of supply	
• H types: extraction arm (in parts) – Wall bracket	
• S types: extraction arm (in parts)	
■ Order information	
Number/package	1
■ Shipping data	
Harmonized Tariff Code	84219990

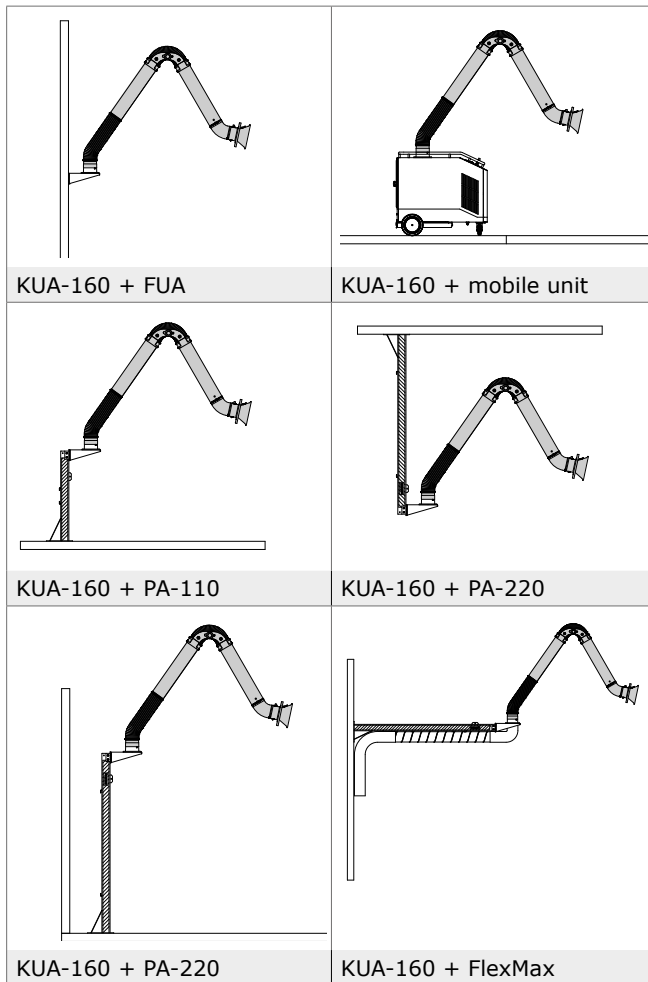
### WORKING REACH

	KUA-160/2H		KUA-160/3H		KUA-160/4H	
	mm	ft	mm	ft	mm	ft
<b>A</b>	455	1½	950	3⅛	1250	4⅛
<b>B</b>	265	⅞	265	⅞	265	⅞
<b>C</b>	min. 1030	min. 3⅜	min. 1335	min. 4⅜	min. 1525	min. 5
<b>D</b>	max. 2500	max. 8¼	max. 3350	max. 11	max. 4040	max. 13¼

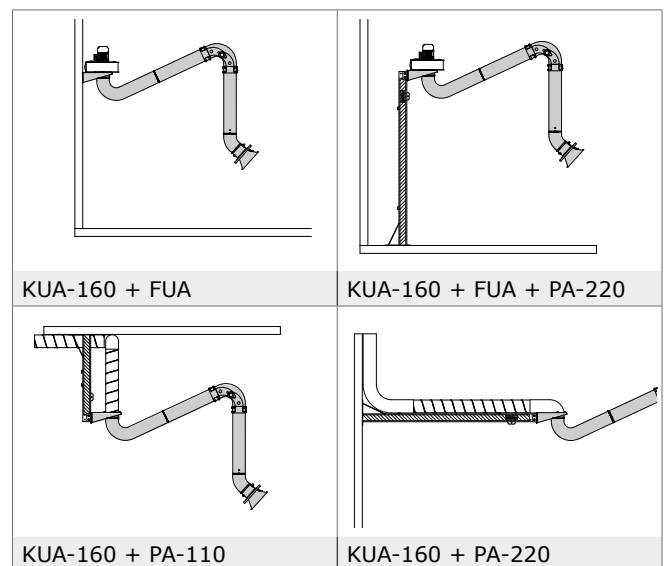
## Remaining specifications

	KUA-160/2H	KUA-160/2S	KUA-160/3H	KUA-160/3S	KUA-160/4H	KUA-160/4S
<b>Physical dimensions and properties</b>						
Length	2 m (6½ ft)	2 m (6½ ft)	3 m (9¾ ft)	3 m (9¾ ft)	4 m (13¼ ft)	4 m (13¼ ft)
Weight (net)	18 kg (40 lbs)	14 kg (31 lbs)	19 kg (42 lbs)	15 kg (33 lbs)	21 kg (46 lbs)	17 kg (37 lbs)
<b>Order information</b>						
Art. no.	0000101154	0000101168	0000101157	0000101170	0000101160	0000101173
Art. no. (ATEX)	0000101176	-	0000101178	-	0000101180	-
Art. no. (H-D)	0000101164	-	0000101165	-	0000101166	-
<b>Shipping data</b>						
Gross weight	20 kg (44 lbs)	16 kg (35½ lbs)	21,5 kg (47½ lbs)	19,5 kg (43 lbs)	23 kg (51 lbs)	21 kg (46½ lbs)
Packing dimensions	1200 x 300 x 390 mm (47¼ x 11¾ x 15¾ in.)		2100 x 300 x 500 mm (82¾ x 11¾ x 19¾ in.)		2100 x 300 x 500 mm (82¾ x 11¾ x 19¾ in.)	

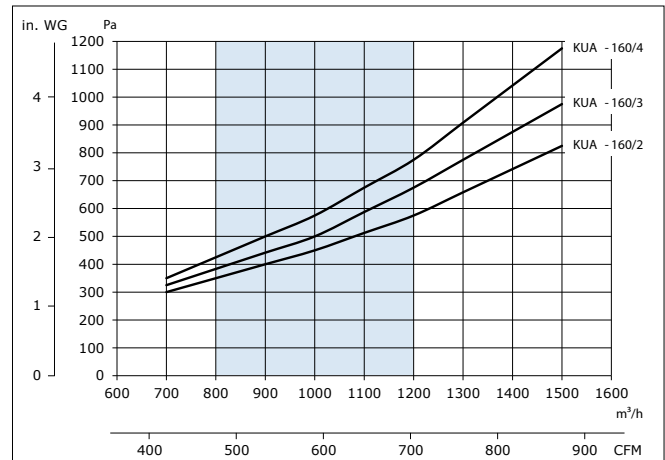
### MOUNTING EXAMPLES "S" TYPES



### MOUNTING EXAMPLES "H" TYPES



### PRESSURE DROP



## FEATURES & BENEFITS



External middle hinge allows for easy adjustment; no tools required



Low resistant aluminium tubes



The hood is 90° movable in four directions

### Application restrictions

Do **not** use the product for the following applications or in the following circumstances: polishing applications in combination with grinding, welding or any other application that generate sparks (fibres from polishing or abrasive flap disks are highly flammable and pose a high risk of filter fires when exposed to sparks) | aluminium laser cutting | oil mist | heavy oil mist in welding fume | arc-air gouging | extraction of aggressive fumes and gases (e.g. from acids, from alkaline, from soldering paste containing lithium) | extraction of hot gases (more than 70°C/158°F continuously) | grinding aluminum and magnesium | flame spraying | extraction of cement, saw dust, wood dust etc. | sucking cigarettes, cigars, oiled tissues and other burning particles, objects and acids | explosive environments or explosive substances/gases

Product type

**KUA-160**

Article no.

*refer to Order information*

Product category

extraction arms

Version

071122/P

Always check the latest version on [www.plymovent.com](http://www.plymovent.com)