

PHV

PORTABLE WELDING FUME EXTRACTOR

The PHV is a portable high vacuum welding fume extractor. It is equipped with two motors and an automatic start/stop device. The extracted welding fume first passes a metal pre-separator and then goes through the Dura-H main filter with integrated aluminium pre filter. The air leaves the unit through a HEPA filter. An activated carbon filter can be installed as an option.

With its wheels, the handle and its compact design the machine is extremely suited to be used in relatively small workshops, in confined spaces or near sources of pollution without a fixed location. The PHV can be switched on/off manually or automatically.

The PHV-I version is additionally provided with a filter pollution indicator and sound signal.



APPLICATIONS

The PHV is intended to be used for the following applications:

- MIG-MAG/GMAW welding
- TIG welding
- FCAW welding
- stick/MMAW welding



SPECIFICATIONS



Physical dimensions and properties

Material housing	polypropylene
Colour:	<ul style="list-style-type: none"> • Base + top cover • Filter cartridge + wheel covers
	<ul style="list-style-type: none"> • grey RAL 7024 • yellow RAL 1028
Weight (net)	18,6 kg (41 lbs)
Supply cable	
Filters	
Material:	<ul style="list-style-type: none"> • Pre filter • Dura-H main filter • HEPA filter • FAC HV (option)
	<ul style="list-style-type: none"> • aluminium + neoprene • cellulose fibres + cardboard + aluminium • cellulose fibres with polypropylene housing • polyester fibres with activated carbon
Filter surface area:	<ul style="list-style-type: none"> • Pre filter • Dura-H main filter • HEPA filter • FAC HV (option)
	<ul style="list-style-type: none"> • 0,037 m² (0.4 ft²) • 12 m² (129.2 ft²) • 0,4 m² (4.3 ft²) • 0,073 m² (0.79 ft²)
Efficiency:	<ul style="list-style-type: none"> • Pre filter • Dura-H main filter • HEPA filter
	<ul style="list-style-type: none"> • 65%<80% • >95% (particle size: 0,3 µm) • >99,5% (particle size: 0,3 µm)
Filter class:	<ul style="list-style-type: none"> • Pre filter • Dura-H main filter • HEPA filter
	<ul style="list-style-type: none"> • G2 according to DIN EN 779 • H10 according to DIN EN 1822 • H12 according to DIN EN 1822
Performance	
Max. extraction capacity	<ul style="list-style-type: none"> • speed LOW: 160 m³/h • speed HIGH: 230 m³/h

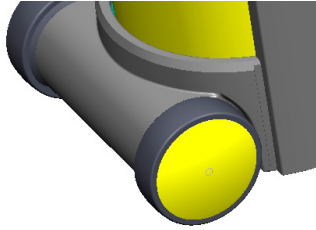

Noise level according to ISO 3746	<ul style="list-style-type: none"> • speed LOW: 63 dB(A) • speed HIGH: 70 dB(A)
Electrical data	
Power consumption	2 x 1000 W
Available connection voltages	115V/1~/50Hz; 230V/1~/50Hz; 115V/1~/60Hz; 230V/1~/60Hz
Protection class	IP 50
Insulation class	F
Stop delay	15 seconds
Ambient conditions	
Operating temperature:	<ul style="list-style-type: none"> • min. • nom. • max.
	<ul style="list-style-type: none"> • 5°C (41°F) • 20°C (68°F) • 45°C (113°F)
Max. relative humidity	80%
Outdoor use allowed	no
Storage conditions	<ul style="list-style-type: none"> • 5-45°C (41-113°F) • relative humidity max. 80%
Available options	
FAC-HV	activated carbon filter
MBH	wall bracket
HCH-45	hose connection
NKT	nozzle kit
EN-20 EN-21	funnel nozzle
EN-40	slit extraction nozzle
H2.5/45 H5.0/45	extraction/exhaust hose
CP-45	connection piece
Scope of supply	
Portable welding fume extractor - Extraction hose 2,5 m (8¼ ft)/Ø 45 mm (1¾ in.) incl. connection piece - Spare carbon brush (4)	
Order information	
Article number:	<ul style="list-style-type: none"> • PHV 115V/1~/50Hz • PHV 230V/1~/50Hz • PHV 115V/1~/60Hz • PHV 230V/1~/60Hz • PHV-I 230V/1~/50Hz
<ul style="list-style-type: none"> • 7608001400 • 7603001400 • 0000102462 • 7603001500 • 7603101400 	

Number/package	1
■ Shipping data	
Gross weight	22 kg (48½ lbs)
Packing dimensions	460 x 400 x 790 mm (18½ x 17¾ x 31½ in.)
Max. number/pallet	15
Harmonized Tariff Code	8421.39.2090
Country of origin	the Netherlands

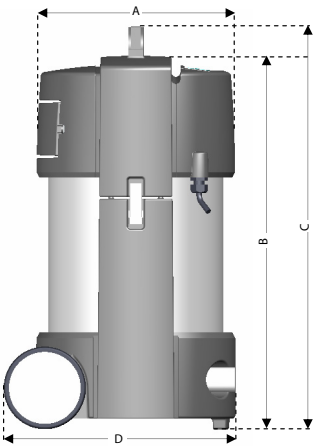
APPROVALS/CERTIFICATES

	
W3 compliant	according to EN ISO 15012-1:2013
	Directive 2011/65/EC (RoHS) valid as of 8 June 2011

FEATURES

Standard wheel set	
Automatic start/stop device controlled by mass cable of welding machine	

DIMENSIONS

																
	<table border="1"> <thead> <tr> <th></th> <th>mm</th> <th>inch</th> </tr> </thead> <tbody> <tr> <td>A</td> <td>Ø 360</td> <td>Ø 14½</td> </tr> <tr> <td>B</td> <td>675</td> <td>26⅝</td> </tr> <tr> <td>C</td> <td>730</td> <td>28¾</td> </tr> <tr> <td>D</td> <td>420</td> <td>16½</td> </tr> </tbody> </table>		mm	inch	A	Ø 360	Ø 14½	B	675	26⅝	C	730	28¾	D	420	16½
	mm	inch														
A	Ø 360	Ø 14½														
B	675	26⅝														
C	730	28¾														
D	420	16½														

Application restrictions

Do **not** use the product for the following applications or in the following circumstances: polishing applications in combination with grinding, welding or any other application that generate sparks (fibres from polishing or abrasive flap disks are highly flammable and pose a high risk of filter fires when exposed to sparks) | aluminium laser cutting | oil mist | heavy oil mist in welding fume | arc-air gouging | extraction of aggressive fumes and gases (e.g. from acids, from alkaline, from soldering paste containing lithium) | extraction of hot gases (more than 45°C/113°F continuously) | grinding aluminum and magnesium | flame spraying | extraction of cement, saw dust, wood dust etc. | sucking cigarettes, cigars, oiled tissues and other burning particles, objects and acids | explosive environments or explosive substances/gases

Product type	PHV
Article no.	refer to order information
Product category	portable/mobile welding fume extractors
Version	04APR2024/I

Always check the latest version on www.plymovent.com