

## TRUCK EXTRACTION NOZZLE

### TEN

The Truck Extraction Nozzle (TEN) is an adjustable nozzle which can connect to tailpipes that are hard to reach and/or have an irregular shape. The flexibility of the TEN accommodates a touchless interface between the nozzle and the exhaust.

The detachable magnetic hose coupling positioner allows the operator to position the hose on any desired magnetic surface.

The TEN facilitates European standard EURO 6 and American EPA 07 tailpipes.



### APPLICATIONS

The TEN is intended to be used for the following applications:



- To eliminate hazardous vehicle exhaust emissions with our vehicle exhaust capture and removal systems for the following segments: fire and emergency service stations as well as military facilities.

### SPECIFICATIONS

#### Physical dimensions and properties

Material	<ul style="list-style-type: none"> <li>nozzle</li> <li>positioner</li> </ul>	<ul style="list-style-type: none"> <li>powdercoated aluminium</li> <li>powdercoated steel</li> </ul>
Colour	black/yellow	
Hose diameter	150 mm (6 in.)	

#### Airflow

Recommended airflow car	500 m <sup>3</sup> /h (295 cfm)
Recommended airflow truck	1000 m <sup>3</sup> /h (588 cfm)

#### Ambient conditions

Temperature range	depends on hose up to 400°C (752°F)
Max. relative humidity	80%
Outdoor use allowed	no

#### Product combinations

Compatible with the EH, ES or EF hose

#### Scope of supply

The TEN (hose to be ordered separately)

#### Order information

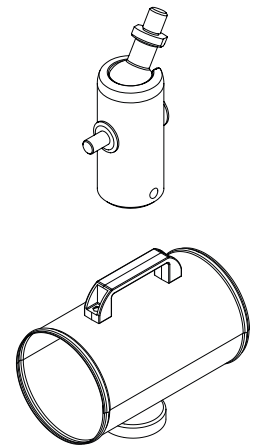
Article no.	0000111744
Number/package	1

#### Shipping data

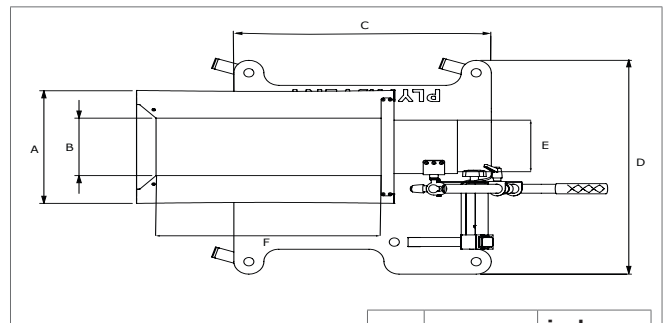
Gross weight	19 kg (42 lbs)
Packing dimensions	800 x 1200 x 1500 mm (31 x 47 x 59 in.)
Harmonized Tariff Code	84219990

### FEATURES

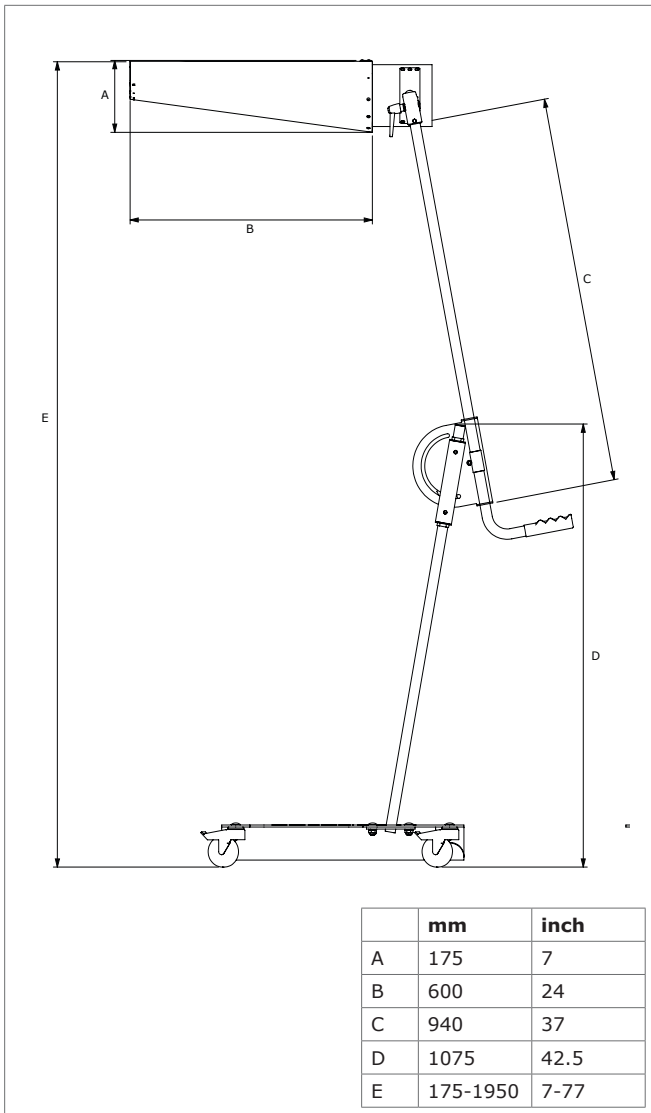
- 360° flexibility with the designed ball and socket joint
- Easy locking mechanism with quarter turn locking handle
- Rotating wheels with brakes
- Removable magnetic hose coupling positioner for 150 mm (6 in.) hose
- Compatible with all Plymovent exhaust hoses



### DIMENSIONS



	mm	inch
A	315	12.4
B	160	6.3
C	600	24
D	600	24
E	150	6
F	550	22



Product type

**Truck Extraction Nozzle**

Article no.

0000111744

Product category

nozzles

Version

020919/0

Always check the latest version on [www.plymovent.com](http://www.plymovent.com)