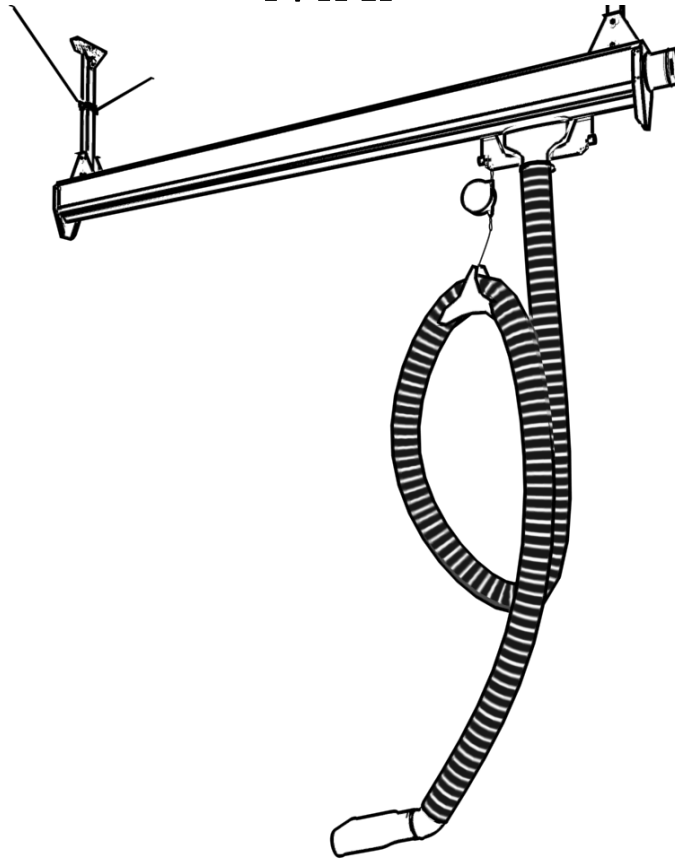


Product manual

MRP



List of contents

Area of application	2
Technical data	2
Safety instructions	3
Installation	4-6
Maintenance	7
Spare parts	8-9
Contact us	10

PLYMVENT®

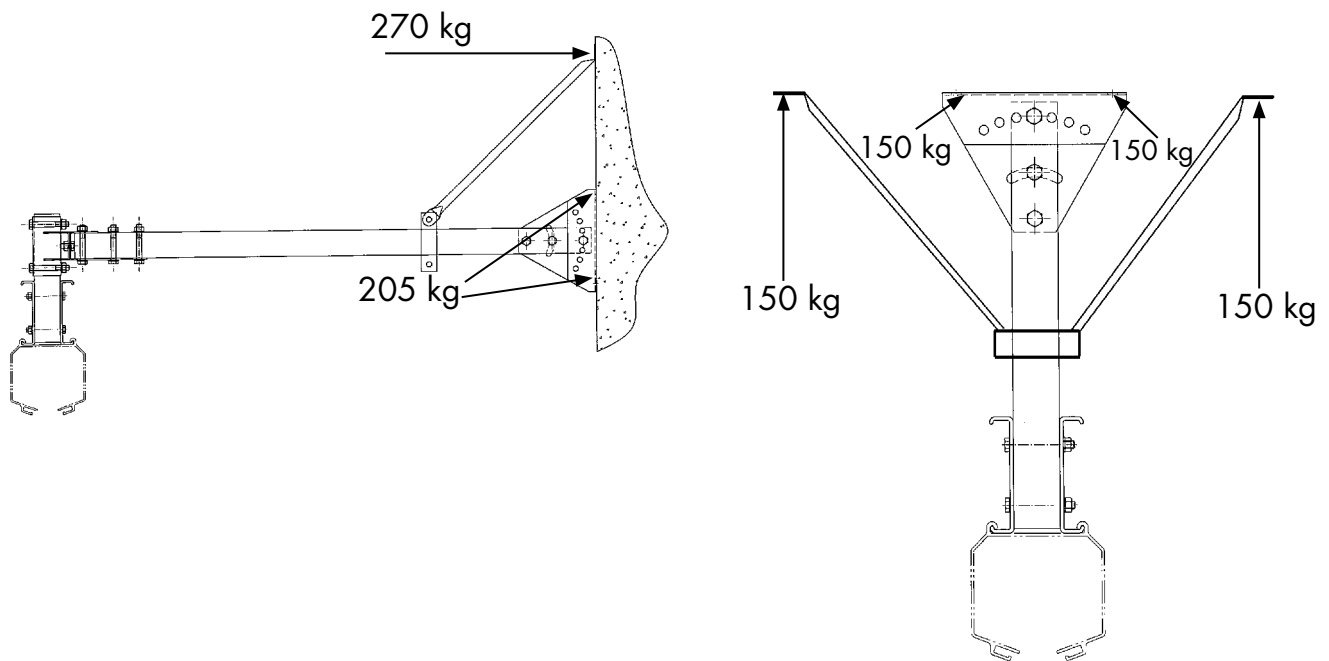
AREA OF APPLICATION

A flexible exhaust extraction rail for several vehicles, equipped with a number of extraction units.

- for passenger cars and light commercial vehicles
- several stationary vehicles can be connected
- manual connection/disconnection of exhaust nozzles

Installation

On ceiling or wall



UNIT DESCRIPTION

- Rail:** Made of extruded aluminum.
Hose: Made of thermoplastic material with a nylon helix - crush resistant.
Temp range -30°C to 150°C.
Rubberseal: EPDM- Rubber with low friction material.
Trolley: Wheel with ball bearings.

WEIGHT INFO

- Rail Incl. seal:** 5,6kg/m
Trolley Incl.hose: 7,5kg

Maintenance

Only light service and maintenance is required. See page 7 in manual.

INSTALLATION

Use approved Work-platform or Scaffold

Warning-unauthorized personnel are not allowed to stay near to installation-area.

Note! Load on support legs. see page2.

Note! Mount End- cover directly after Trolley (MIC-100) has been installed

IN OPERATION

Note! It is not allowed to hang up irrelevant material in MRP-profile.

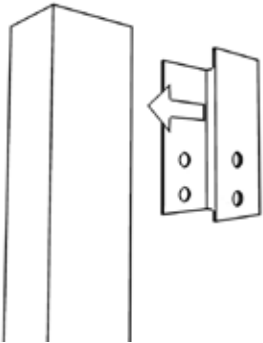
SERVICE—MAINTENANCE

Use approved Work-platform or Scaffold.

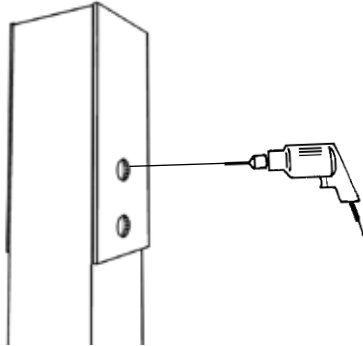
Check that End- cover is replaced after service of Crab(MIC-100).

PLYMVENT® Installation

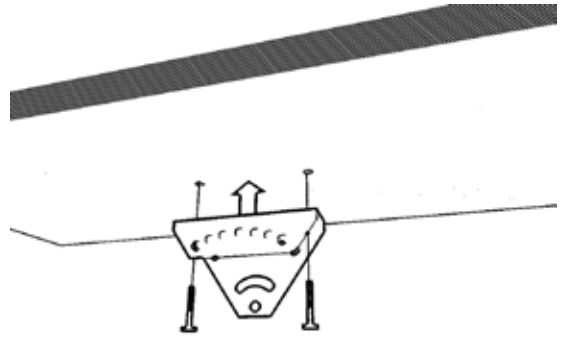
1.a



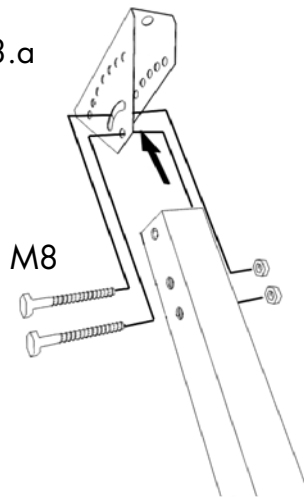
1.b



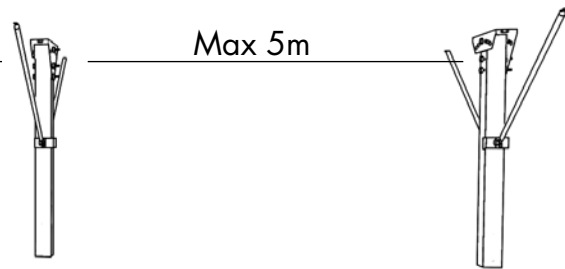
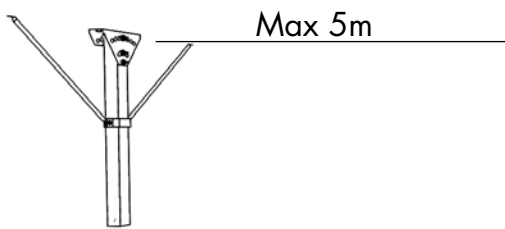
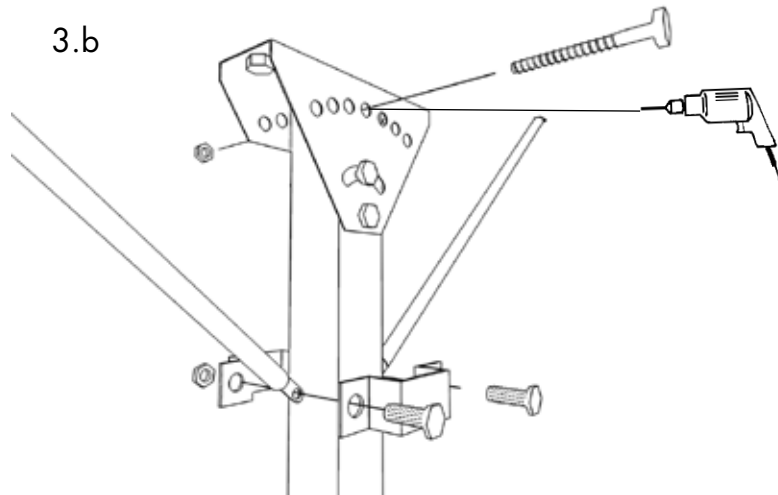
2.a



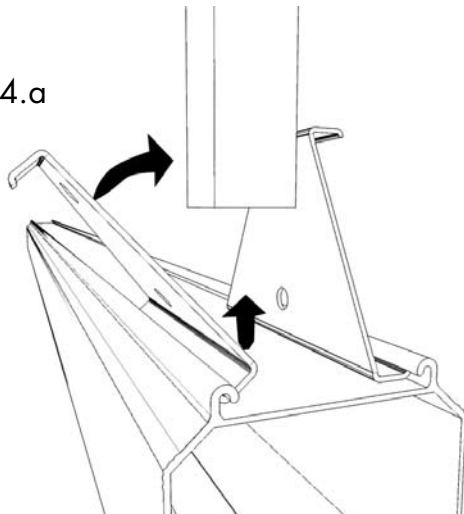
3.a



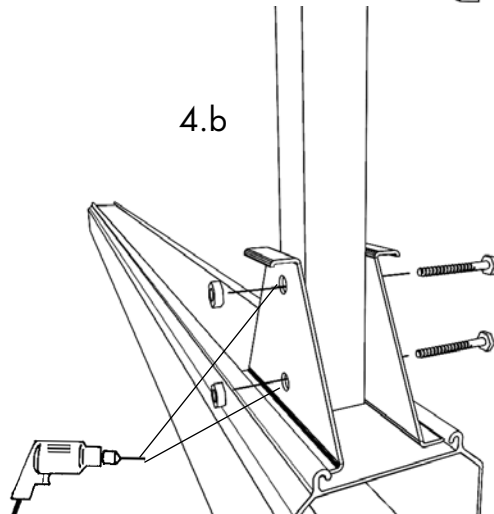
3.b

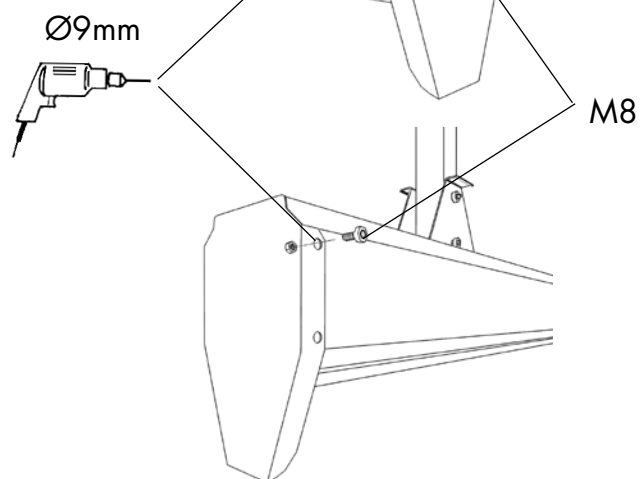
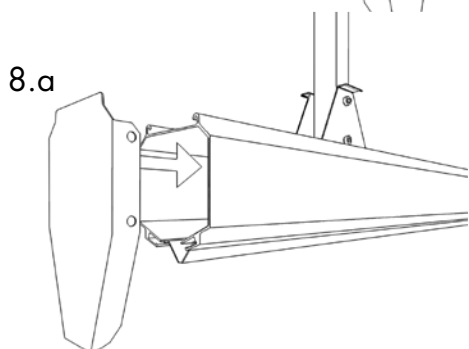
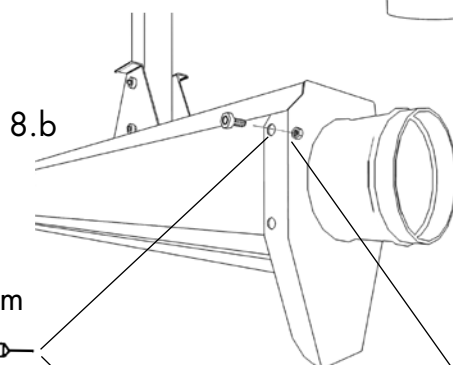
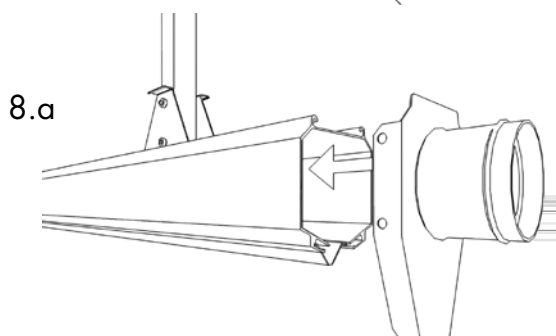
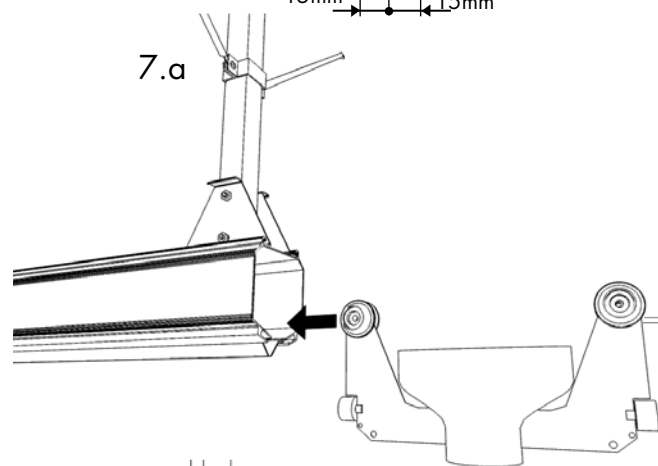
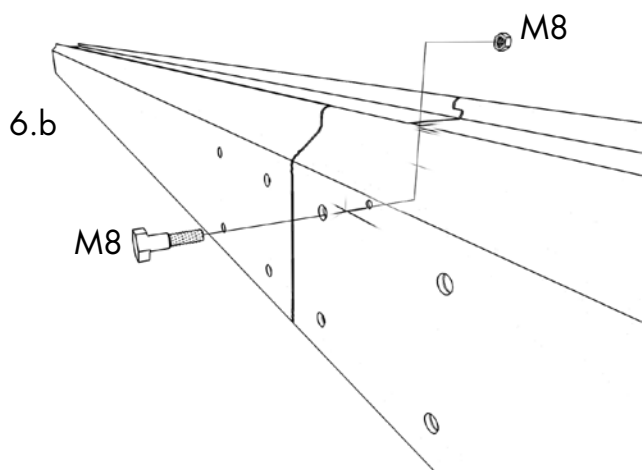
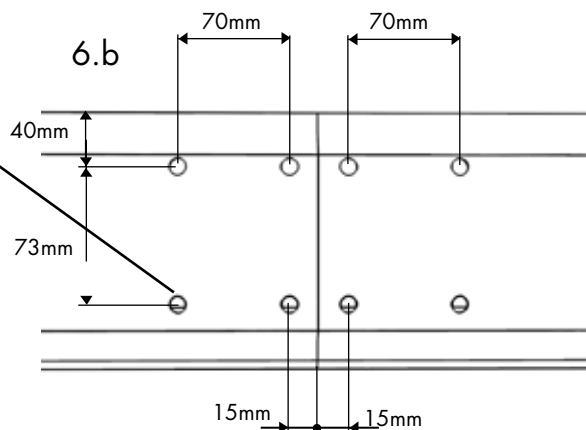
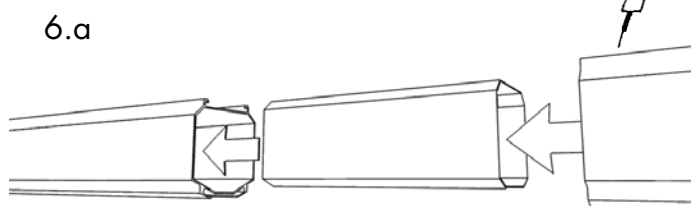
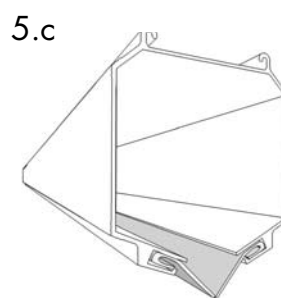
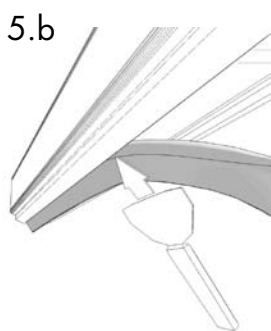
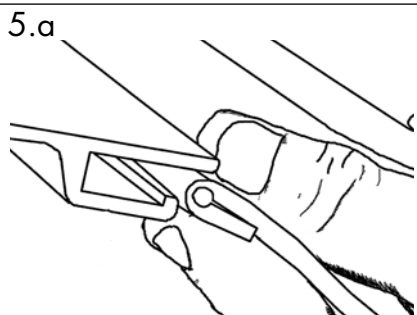


4.a

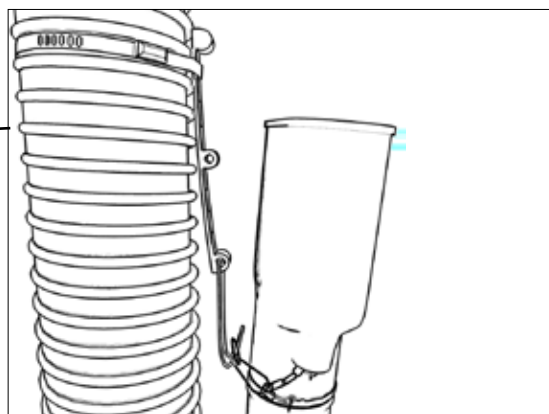
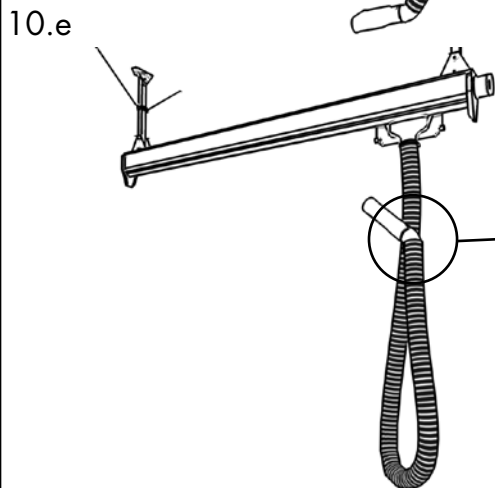
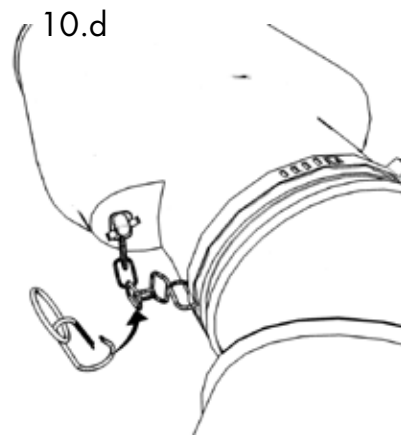
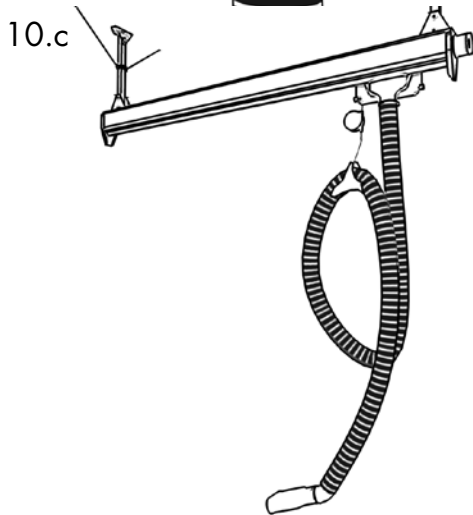
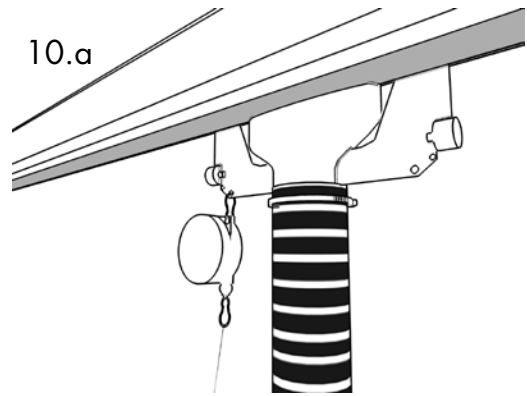
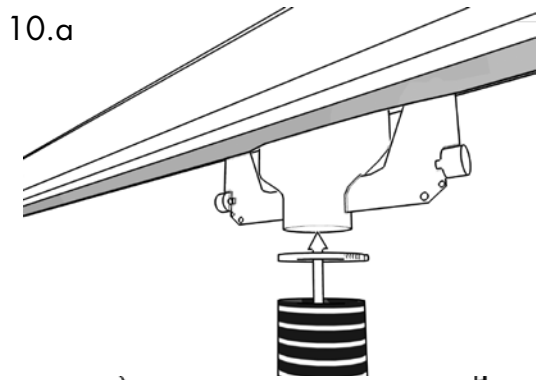
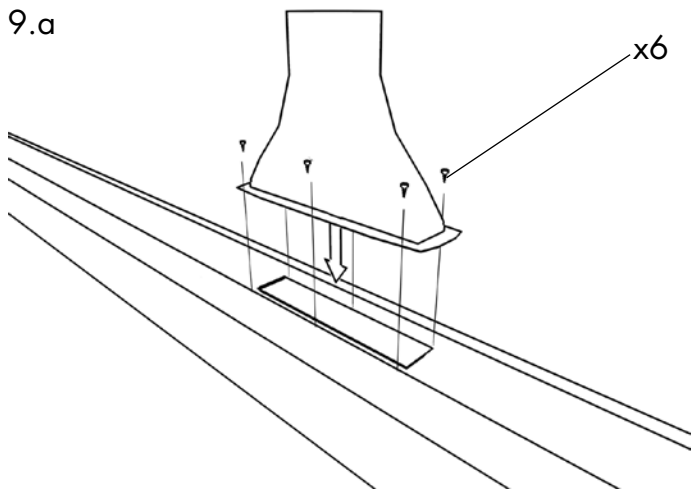


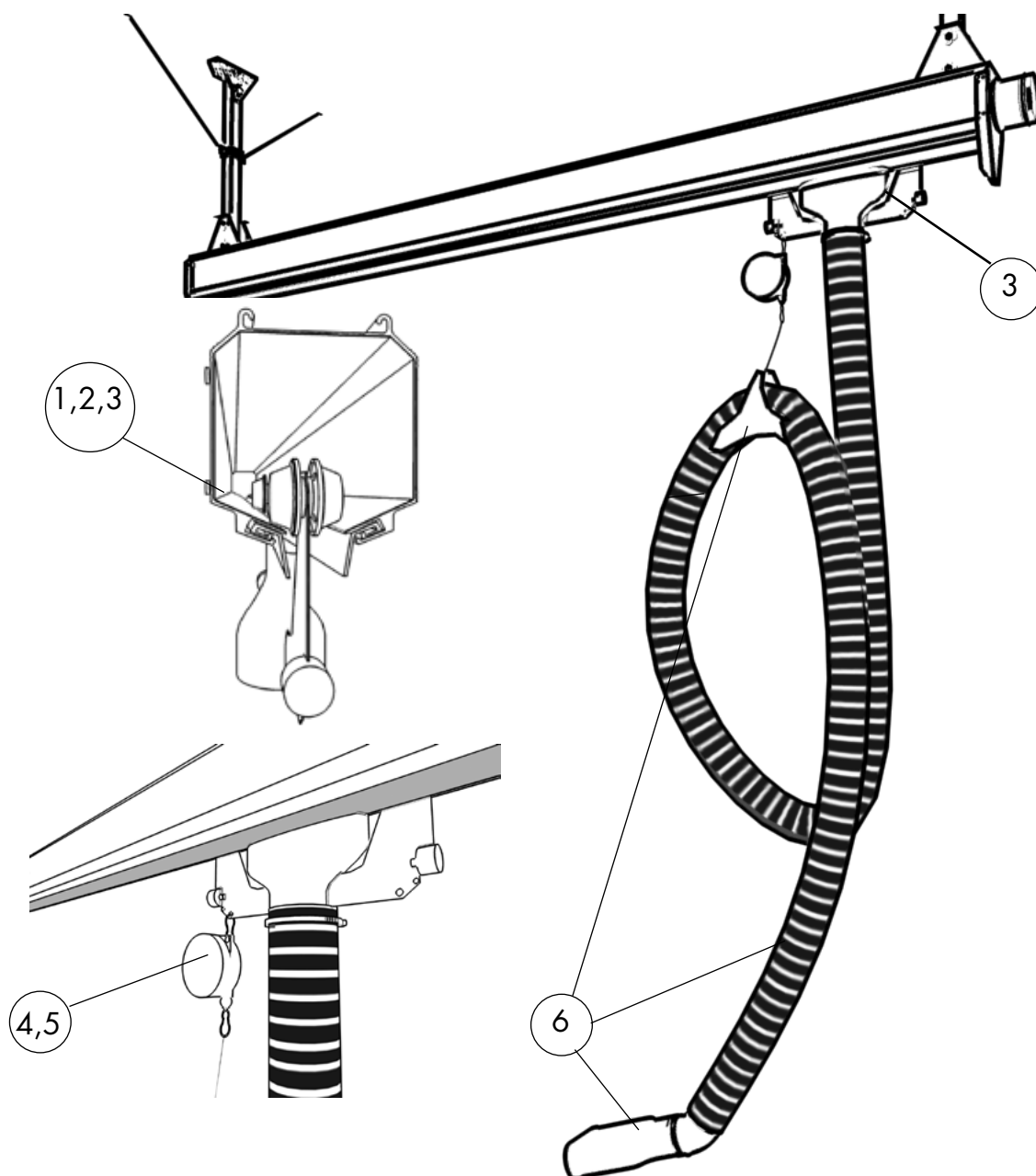
4.b



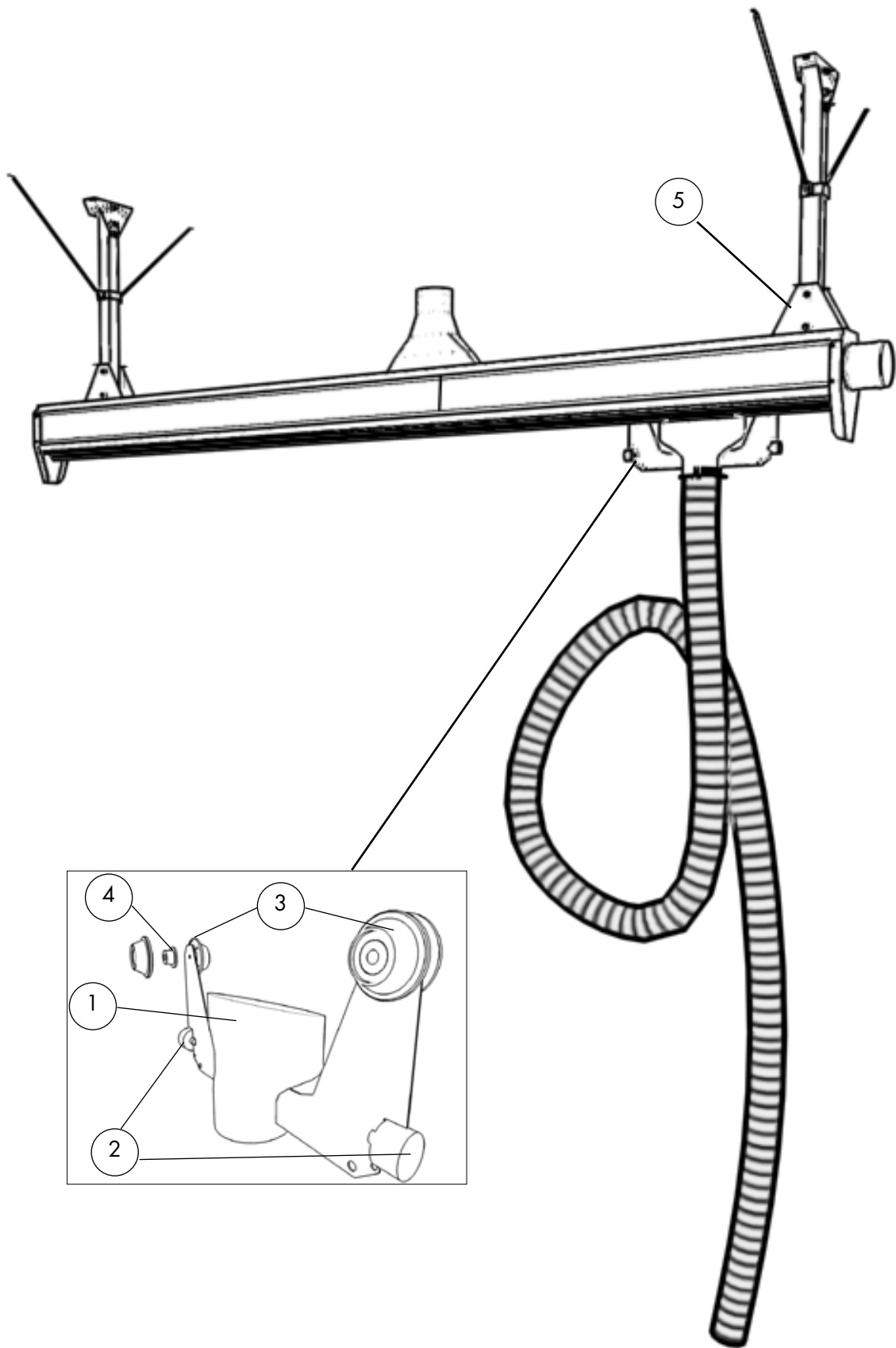


PLYMVENT® Installation





1. Clean the inside of the rail where the trolley wheels are running.
2. Clean the inside of rubber seal.
3. Check the trolley, clean the wheels.
4. Check balancer-support, wire and safety chain.
5. Balancer spring tension is to be adjusted when needed, se separate manual for balancer.
6. Check the hose suspension belt and the nozzle. Line up (adjust belt and nozzle)



PLYMVENT®	SPARE PARTS LIST	Date: April -04
MRP-RAIL/CRAB MIC-100	<small>© Copyright: All right reserved. All information within this printed matter may not be reproduced, handed over, copied, xeroxed or translated into another language, in any form or any means without written permission from PlymoVent AB. PlymoVent AB reserves the right to make design changes.</small>	

Produkt No:	Description
A	All models
B	MRP
C	MIC-100
D	
E	
F	
G	
H	
I	

Abbreviation

X = Order as required, state required length.

Pos	Art. No:	A	B	C	D	E	F	G	H	I	Description	Note
1	4-1740			1							Suction Cone	
2	968 669			1							Rubber Bumber	
3	4-1738			1							Wheel Incl. Bearings	
4	4-1739			1							Distance	
5	4-1735		1								MRP / support	

When ordering spare parts please quote:
•Product No. (see label) • Batch No • Description • Part No • Quantity
For example:
MRP / support 4-1735

Head office / Factory

PlymoVent AB
P.O. Box 527
SE-921 28 Lycksele, Sweden
Tel: +46 950 57 67 00
Fax: +46 950 57 67 90
info@plymovent.se
www.plymovent.se

Sales office

PlymoVent AB
Tangenten 2, Industrigatan 26,
SE-212 14 MALMÖ, Sweden
Tel: +46 40 30 31 30
Fax: +46 40 30 31 40
info@plymovent.se
www.plymovent.se

USA

PlymoVent Corp.
115 Melrich Road
Cranbury, New Jersey 08512, USA
Tel. +1 (609) 395-3500
Fax. +1 (609) 655-0919
info@plymoventusa.com
Year established: 1989

Canada

PlymoVent Canada Inc.
24-1200 Aerowood Dr.
Mississauga, ON L4W 2S7, Canada
Tel: +1 (905) 564-4748
Fax: +1 (905) 564-4609
info@plymovent.ca
www.plymovent.com

England

PlymoVent Ltd
Marley Way, Southam Road
Banbury, OX16 2RA, England
Tel: +44 1295 25 93 11
Fax: +44 1295 27 17 50
info@plymovent.co.uk
www.plymovent.co.uk

France

PlymoVent SAS
B.P. 30, Zone Industrielle de Mavault
F-86170 Neuville de Poitou, France
Tel: +33 549 51 55 88
Fax: +33 549 51 59 33
info@plymovent.fr
www.plymovent.fr

Deutschland

PlymoVent GmbH
Heideweg 24
D-53604 Bad Honnef, Germany
Tel: +49 2224 97 300
Fax: +49 2224 89 646
info@plymovent.de
www.plymovent.de

Återförsäljare / Distributör/ Distribuidor
Representative / Distributeur