

PNEUMATIC GRABBER®

VEHICLE EXHAUST REMOVAL SYSTEM

The Pneumatic Grabber® connects to the vehicle exhaust pipe via an inflatable rubber bladder. The Grabber® can be deflated manually. The unique rubber construction is ideal for applications requiring a soft connection that will not damage the exhaust pipe. This nozzle is used mainly in areas where vehicles move in enclosed spaces.



APPLICATIONS

The Pneumatic Grabber® is intended to be used for the following applications:

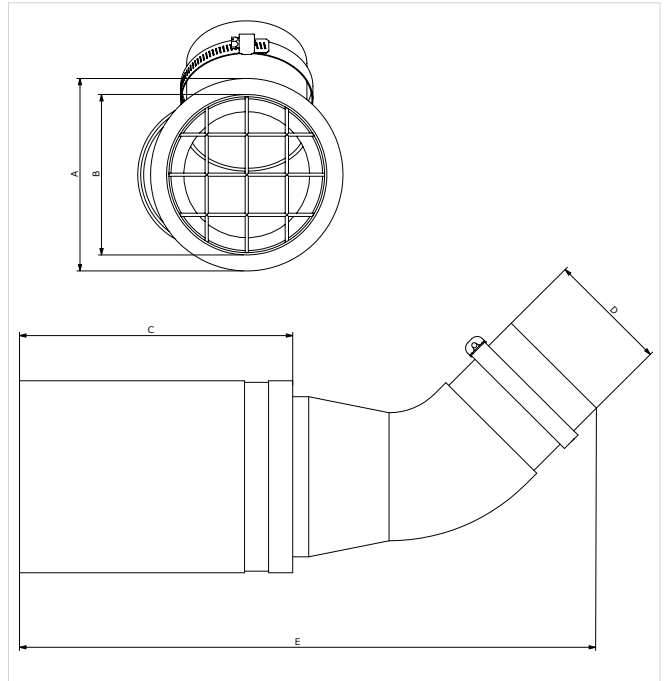


- To eliminate hazardous vehicle exhaust emissions with our vehicle exhaust capture and removal systems for the following segments: vehicle repair workshops, garages and emergency service stations as well as military facilities.

SPECIFICATIONS

■ Physical dimensions and properties	
Material	<ul style="list-style-type: none"> • bladder • EPDM rubber • elbow • steel
Colour	black / silver
Pressure	Max. 1 bar (15 psi)
■ Ambient conditions	
Temperature resistance	150°C (300°F)
Outdoor use allowed	no
■ Options and accessories	
Safety Disconnect Handle	
■ Where used	
Drops in VEX applications	
■ Scope of supply	
Pneumatic Grabber® Compressed air hose yellow 11 m (36 ft.) Pneumatic air valve (handcontrolled) Hose clamp (2)	
■ Order information	
Article no.	see remaining specifications
Number/package	1
■ Shipping data	
Gross weight	0,5 kg (1 lbs) + weight Grabber (refer to next page)
Packing dimensions	500 x 200 x 200 mm (20 x 8 x 8 in.)
Harmonized Tariff Code	84219990

DIMENSIONS



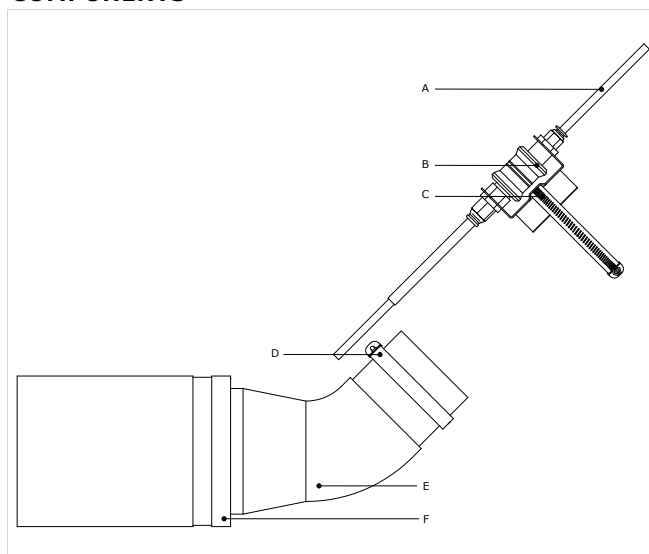
	Version (hose connection - grabber)	Dimensions
A	75 - 100 mm (3 - 4 in.)	120 mm (4.7 in.)
	100 - 100 mm (4 - 4 in.)	120 mm (4.7 in.)
	100 - 120 mm (4 - 4.7 in.)	140 mm (5.5 in.)
	100 - 160 mm (4 - 6.3 in.)	180 mm (7 in.)
	125 - 160 mm (5 - 6.3 in.)	180 mm (7 in.)
	125 - 200 mm (5 - 8 in.)	220 mm (8.7 in.)
	150 - 160 mm (6 - 6.3 in.)	180 mm (7 in.)
	150 - 200 mm (6 - 8 in.)	220 mm (8.7 in.)

B	75 - 100 mm (3 - 4 in.)	100 mm (4 in.)
	100 - 100 mm (4 - 4 in.)	100 mm (4 in.)
	100 - 120 mm (4 - 4.7 in.)	120 mm (4.7 in.)
	100 - 160 mm (4 - 6.3 in.)	160 mm (6.3 in.)
	125 - 160 mm (5 - 6.3 in.)	160 mm (6.3 in.)
	125 - 200 mm (5 - 8 in.)	200 mm (8 in.)
	150 - 160 mm (6 - 6.3 in.)	160 mm (6.3 in.)
	150 - 200 mm (6 - 8 in.)	200 mm (8 in.)
C	75 - 100 mm (3 - 4 in.)	170 mm (6.7 in.)
	100 - 100 mm (4 - 4 in.)	170 mm (6.7 in.)
	100 - 120 mm (4 - 4.7 in.)	190 mm (7.4 in.)
	100 - 160 mm (4 - 6.3 in.)	230 mm (9 in.)
	125 - 160 mm (5 - 6.3 in.)	230 mm (9 in.)
	125 - 200 mm (5 - 8 in.)	270 mm (10.6 in.)
	150 - 160 mm (6 - 6.3 in.)	230 mm (9 in.)
	150 - 200 mm (6 - 8 in.)	270 mm (10.6 in.)
D	75 - 100 mm (3 - 4 in.)	75 mm (3 in.)
	100 - 100 mm (4 - 4 in.)	100 mm (4 in.)
	100 - 120 mm (4 - 4.7 in.)	100 mm (4 in.)
	100 - 160 mm (4 - 6.3 in.)	100 mm (4 in.)
	125 - 160 mm (5 - 6.3 in.)	125 mm (5 in.)
	125 - 200 mm (5 - 8 in.)	125 mm (5 in.)
	150 - 160 mm (6 - 6.3 in.)	150 mm (6 in.)
	150 - 200 mm (6 - 8 in.)	150 mm (6 in.)
E	75 - 100 mm (3 - 4 in.)	360 mm (14.2 in.)
	100 - 100 mm (4 - 4 in.)	390 mm (15.4 in.)
	100 - 120 mm (4 - 4.7 in.)	395 mm (15.5 in.)
	100 - 160 mm (4 - 6.3 in.)	425 mm (16.7 in.)
	125 - 160 mm (5 - 6.3 in.)	460 mm (18 in.)
	125 - 200 mm (5 - 8 in.)	450 mm (17.7 in.)
	150 - 160 mm (6 - 6.3 in.)	485 mm (19 in.)
	150 - 200 mm (6 - 8 in.)	475 mm (18.7 in.)

REMAINING SPECIFICATIONS

Description	Article number	Weight
GN-75-100	0000109616	1,15 kg (2.5 lbs)
GN-100-100	0000117969	1,1 kg (2.4 lbs)
GN-100-120	0000117970	1,25 kg (2.7 lbs)
GN-100-160	0000117971	2,05 kg (4.5 lbs)
GN-125-160	0000117972	2,15 kg (4.7 lbs)
GN-125-200	0000117973	2,35 kg (5.1 lbs)
GN-150-160	0000117975	2,35 kg (5.1 lbs)
GN-150-200	0000117976	2,4 kg (5.3 lbs)

COMPONENTS



A	Compressed air hose
B	Pneumatic air valve
C	Hose clamp
D	Hose clamp
E	Elbow
F	Grabber

Product type
Article no.
Product category
Version

Pneumatic Grabber®
see remaining specifications
nozzles and grabbers
040321/0

Always check the latest version on www.plymovent.com