

MAGNETIC GRABBER®

VEHICLE EXHAUST REMOVAL SYSTEM

The Magnetic Grabber® is a patented vehicle exhaust removal device. The Magnetic Grabber® nozzle incorporates a self-aligning conical design with integrated magnets that provide a quick and easy "Click and Seal" connection and controlled disconnect from the vehicles tailpipe. The nozzle is used in conjunction with the conical tailpipe adapter (TPA) and is primarily used in Fire and Emergency Services stations where the vehicles may be operated indoors for equipment checks and for exiting the building on emergency calls.



APPLICATIONS

The Magnetic Grabber® is intended to be used for the following applications:



- To eliminate hazardous vehicle exhaust emissions with our vehicle exhaust capture and removal systems for the following segments: fire and emergency service stations as well as military facilities.

SPECIFICATIONS

Physical dimensions and properties

Material	<ul style="list-style-type: none"> • galvanised steel • stainless steel • EPDM rubber
Colour	<ul style="list-style-type: none"> • silver • black

Ambient conditions

Max. temperature	250°C (480°F)*
Max. relative humidity	all ambient conditions allowed
Storage conditions	all ambient conditions allowed

Where used

All Plymovent railsystems such as SBT and STR

Scope of supply

Magnetic Grabber®
(matching TPA to be ordered separately)

Order information

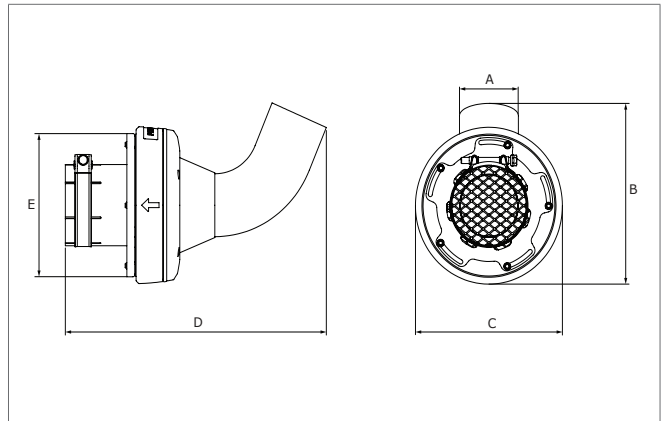
Article no.	see remaining specifications
Number/package	1

Shipping data

Gross weight	see remaining specifications
Packing dimensions	see dimensions
Packaging	bubble wrap

* When the maximum temperature is exceeded there is a small risk that the electro-zinc plated layer will start to peel.

DIMENSIONS



A	100 mm (4 in.)	
	125 mm (5 in.)	
B	75 mm (3 in.) version	260 mm (10.2 in.)
	100 mm (4 in.) version	271 mm (10.6 in.)
	125 mm (5 in.) version	293 mm (11.5 in.)
C	75 mm (3 in.) version	190 mm (7.5 in.)
	100 mm (4 in.) version	212 mm (8.3 in.)
	125 mm (5 in.) version	253 mm (9.9 in.)
D	75 mm (3 in.) version	381 mm (15 in.)
	90 mm (3.5 in.) version	381 mm (15 in.)
	100 mm (4 in.) version	426 mm (16.8 in.)
	125 mm (5 in.) version	440 mm (17.3 in.)
	150 mm (6 in.) version	470 mm (18.5 in.)
	175 mm (7 in.) version	470 mm (18.5 in.)
E	75 mm (3 in.) version	164 mm (6.5 in.)
	90 mm (3.5 in.) version	164 mm (6.5 in.)
	100 mm (4 in.) version	184 mm (7.2 in.)
	125 mm (5 in.) version	228 mm (9 in.)
	150 mm (6 in.) version	228 mm (9 in.)
	175 mm (7 in.) version	228 mm (9 in.)

MATCHING COUNTERPARTS TABLE

NOZZLE Descr. / Dim. Art. no. old Art. no. SAP	TAILPIPE ADAPTER (Descr. / Dim. / Art. no.) / Art. no. SAP)					
	TPA 75 mm (3 in.) 90390-1-S 0000112503	TPA 90 mm (3.5 in.) 90390-1035 0000112498	TPA 100 mm (4 in.) 90380-1 0000112504	TPA 125 mm (5 in.) 90360-1 0000112505	TPA 150 mm (6 in.) 90360-6 0000112499	TPA 175 mm (7 in.) 90360-7 0000112500
MG - SBT 75 mm (3 in.) 90390-5 0000111395	✓	✓	-	-	-	-
MG - STR 75 mm (3 in.) 90392-5 0000111306	✓	✓	-	-	-	-
MG - SBT 100 mm (4 in.) 90380-5 0000111396	-	-	✓	-	-	-
MG - STR 100 mm (4 in.) 90382-5 0000111331	-	-	✓	-	-	-
MG - SBT 125>100 mm (5 > 4 in.) 702004-1 0000111399	-	-	-	✓	✓	✓
MG - STR 125>100 mm (5 > 4 in.) 702008-1 0000111363	-	-	-	✓	✓	✓
MG - SBT 125>125 mm (5 > 5 in.) 702006-1 0000111400	-	-	-	✓	✓	✓
MG - STR 125>125 mm (5 > 5 in.) 702010-1 0000111370	-	-	-	✓	✓	✓

APPROXIMATE GROSS WEIGHTS

Version	Gross weight
75 mm (3 in.)	6 kg (13 lbs)
90 mm (3.5 in.)	6,5 kg (14 lbs)
100 mm (4 in.)	6,5 kg (14 lbs)
125 mm (5 in.)	7 kg (15 lbs)
150 mm (6 in.)	7,5 kg (16 lbs)
175 mm (7 in.)	7,5 kg (16 lbs)

Product type

Magnetic Grabber®

Article no.

see matching counterparts

Product category

nozzles

Version

030320/2

Always check the latest version on www.plymovent.com