

TRUCK SIDE ADAPTER

VEHICLE EXHAUST REMOVAL NOZZLE

Fire vehicles that comply to EURO 6 regulations often have a unique tailpipe design in order to diffuse the high exhaust temperatures. These vehicles can be connected to any existing Plymovent pneumatic system by using the TSA. The magnetic handle uses a rare earth magnet that is easy to connect and disconnects automatically by use of a pneumatic cylinder. The lower hose and nozzle can be positioned to different tailpipe configurations by means of an internal springsteel adjustable rod.



APPLICATIONS

The Truck Side Adapter is intended to be used for the following applications:



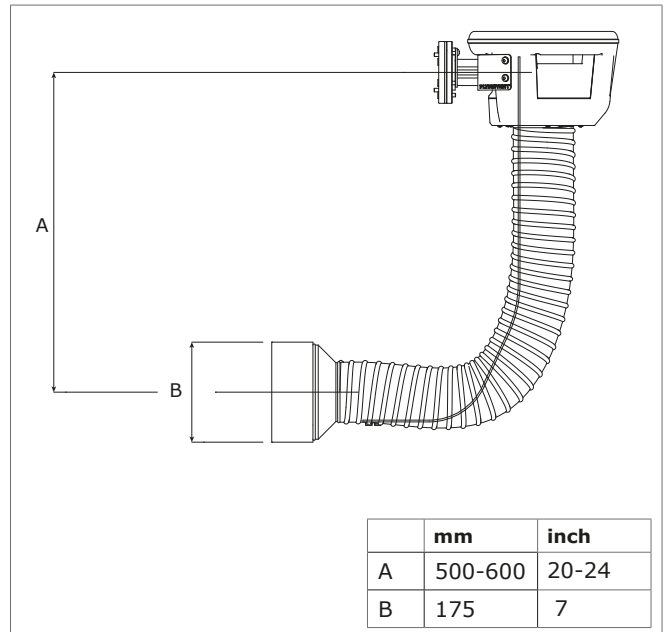
- To eliminate hazardous vehicle exhaust emissions with our vehicle exhaust capture and removal systems for the following segments: fire and emergency service stations as well as military facilities.

SPECIFICATIONS

■ Physical dimensions and properties	
Material	<ul style="list-style-type: none"> handle • see SDCH datasheet nozzle • EPDM rubber
Dimensions	see remaining specifications
Hose diameter	Ø 100 mm (4 in.) / Ø 125 mm (5 in.)
Weight	6.7 kg (14.8 lbs)
■ Ambient conditions	
Operating temperature	up to 200°C (392°F)*
Outdoor use allowed	no
■ Where used	
Compatible with all (existing) Plymovent pneumatic railsystems	
■ Scope of supply	
Magnetic handle lower hose nozzle	
■ Order information	
Article no.	0000118378
Number/package	1
■ Shipping data	
Gross weight	8 kg (18 lbs)
Packing dimensions	1185 x 290 x 390 mm (47 x 11 x 15 in.)
Harmonized Tariff Code	84219990

* Other hoses/temperatures available on request

DIMENSIONS



Product type	Truck Side Adapter (TSA)
Article no.	0000118378
Product category	Nozzles
Version	131119/0

Always check the latest version on www.plymovent.com