


# BAYONET QUICK LOCK

## TAILPIPE CONNECTOR

Across neighboring communities, fire departments work together to share resources and apparatus when needed. During mutual aid, a fire or EMS truck can use the Plymovent vehicle exhaust system while inside a neighbouring station. But what if the vehicle is equipped with the Plymovent **Magnetic Grabber** system and the neighboring station contains the Plymovent **Pneumatic Grabber** system – or similar exhaust removal system? In those cases, the Plymovent Bayonet Quick Lock comes to the rescue. When attached to a vehicle's tailpipe adapter, the Bayonet makes the vehicle compatible with the Pneumatic Grabber nozzle or similar exhaust removal system.

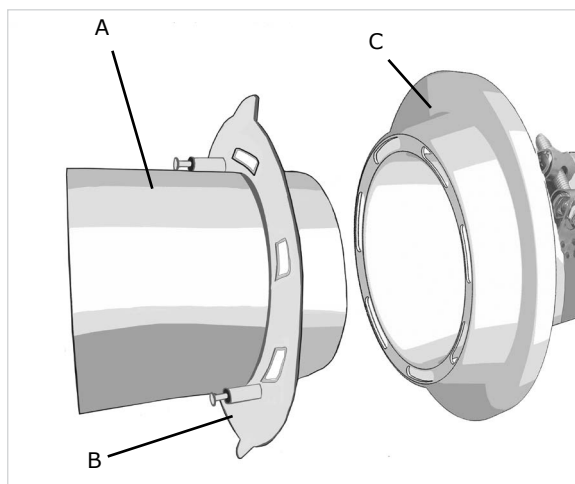
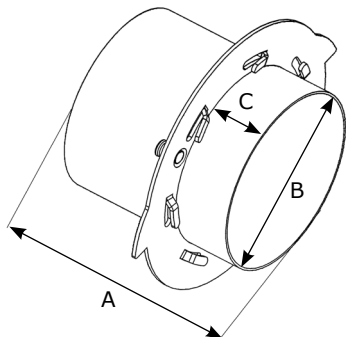
### APPLICATIONS

The Bayonet Quick Lock is intended to make vehicles using the Magnetic Grabber system compatible with the Pneumatic Grabber system. 

### SPECIFICATIONS

■ Physical dimensions and properties	
Material	High-grade stainless steel
Finish	electro polished
Weight	1 kg (2.2 lbs)
Diameter of brim plate	Ø 190 mm (7.5 in.)
■ Recommended storage	
Plymovent recommends the Bayonet Quick Lock be stored inside the vehicle and then connected as the vehicle enters the neighboring station or bay.	
■ Order information	
Number/package	1
■ Remaining specifications	
Diameter	Article no.
127 mm (5 in.)	0000112783

A	130 mm (5.1 in.)
B	Ø 127 mm (5 in.)
C	40 mm (1.6 in.)



### CONSTRUCTION:

- A. High-grade stainless steel, electro polished
- B. Brim plate contains two spring-loaded plunger metal pins and bayonet twist lock
- C. Fits into the Plymovent Magnetic Grabber<sup>®</sup> conical Tailpipe Adapter and similar adapters

Product type	<b>Bayonet Quick Lock</b>
Article no.	see remaining specifications
Product category	nozzles
Version	120718/1

Always check the latest version on [www.plymovent.com](http://www.plymovent.com)