

REC

RUBBER NOZZLE WITH SPRING CLIP

The REC is designed to take in ambient cooling air thereby reducing the exhaust emission temperature. Recommended for today's trucks, private cars and especially vehicles with twin exhaust pipes.

The nozzle is composed of moulded, high temperature resistant rubber. The REC is also equipped with an inner spring clip in order to strengthen the connection with the exhaust pipe. The nozzle also includes a CO-outlet for measuring emission values.

The REC is also available with a manual on/off damper to close off systems that are not in use (RECD versions).



APPLICATIONS

The REC is intended to be used for the following applications:



- To eliminate hazardous vehicle exhaust emissions with our vehicle exhaust capture and removal systems for the following segments: fire and emergency service stations as well as military facilities.

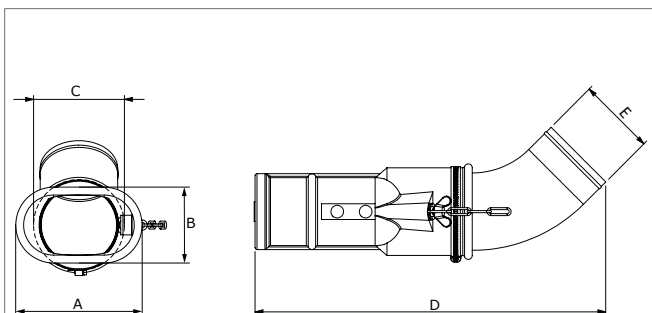
SPECIFICATIONS

■ Physical dimensions and properties	
Material	<ul style="list-style-type: none"> • elbow • grabber
	<ul style="list-style-type: none"> • steel • EPDM rubber
Colour	black/aluminium
■ Ambient conditions	
Temperature resistance	150°C (302°F) continuously
Max. relative humidity	80%
Outdoor use allowed	no
■ Where used	
Suitable for all Plymovent fixed extractors and exhaust hose reels	
■ Scope of supply	
Rubber nozzle with spring clip (optional: damper) Elbow	
■ Order information	
Article no.	see remaining specifications
Number/package	1
■ Shipping data	
Gross weight	
Packing dimensions	
Harmonized Tariff Code	84219990

REMAINING SPECIFICATIONS

Description	Article number	Weight
REC-75-115	0000109612	1,1 kg (2,4 lbs)
RECD-75-115	0000109705	1,1 kg (2,4 lbs)
REC-100-115	0000105274	1,2 kg (2.6 lbs)
RECD-100-115	0000109676	1,2 kg (2.6 lbs)
REC-100-160	0000105251	1,6 kg (3.5 lbs)
RECD-100-160	0000109677	1,6 kg (3.5 lbs)
REC-100-160	0000105246	1,8 kg (4 lbs)
RECD-125-160	0000109678	1,8 kg (4 lbs)
REC-150-160	0000109679	1,9 kg (4.2 lbs)
RECD-150-160	0000109680	1,9 kg (4.2 lbs)

DIMENSIONS



	A	B	C	D	E
REC-75-115	160 mm (6.3 in.)	96 mm (3.8 in.)	Ø 115 mm (4.5 in.)	500 mm (19.7 in.)	Ø 75 mm (3 in.)
RECD-75-115	160 mm (6.3 in.)	96 mm (3.8 in.)	Ø 115 mm (4.5 in.)	500 mm (19.7 in.)	Ø 75 mm (3 in.)
REC-100-115	160 mm (6.3 in.)	96 mm (3.8 in.)	Ø 115 mm (4.5 in.)	450 mm (17.7 in.)	Ø 100 mm (4 in.)
RECD-100-115	160 mm (6.3 in.)	96 mm (3.8 in.)	Ø 115 mm (4.5 in.)	450 mm (17.7 in.)	Ø 100 mm (4 in.)
REC-100-160	215 mm (8.5 in.)	125 mm (5 in.)	Ø 160 mm (6.3 in.)	530 mm (20.9 in.)	Ø 100 mm (4 in.)
RECD-100-160	215 mm (8.5 in.)	125 mm (5 in.)	Ø 160 mm (6.3 in.)	530 mm (20.9 in.)	Ø 100 mm (4 in.)
REC-125-160	215 mm (8.5 in.)	125 mm (5 in.)	Ø 160 mm (6.3 in.)	500 mm (19.7 in.)	Ø 125 mm (5 in.)
RECD-125-160	215 mm (8.5 in.)	125 mm (5 in.)	Ø 160 mm (6.3 in.)	500 mm (19.7 in.)	Ø 125 mm (5 in.)
REC-150-160	215 mm (8.5 in.)	125 mm (5 in.)	Ø 160 mm (6.3 in.)	565 mm (22.2 in.)	Ø 150 mm (6 in.)
RECD-150-160	215 mm (8.5 in.)	125 mm (5 in.)	Ø 160 mm (6.3 in.)	565 mm (22.2 in.)	Ø 150 mm (6 in.)

Product type

REC

Article no.

see remaining specifications

Product category

nozzles and grabbers

Version

181019/0

Always check the latest version on www.plymovent.com